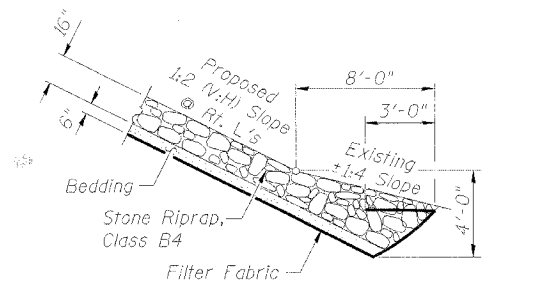
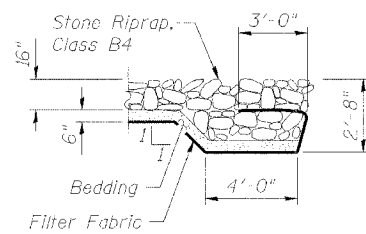


STATE OF ILLINOIS
DEPARTMENT OF TRANSPORTATION

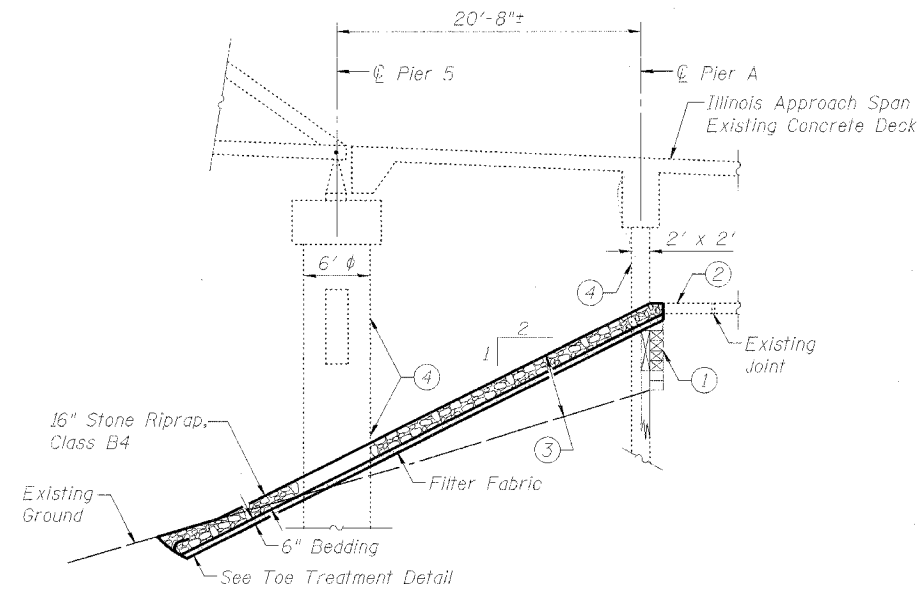
FOUR NO.	SECTION	COUNTY	TOTAL SHEETS	SHEET NO.
F.A.P. 17	6000 M-1	CARROLL	20	15
FED. ROAD DIST. NO. 7	ILLINOIS	FED. AID PROJECT		15 SHEETS



TOE STONE RIPRAP TREATMENT



FLANK STONE RIPRAP TREATMENT

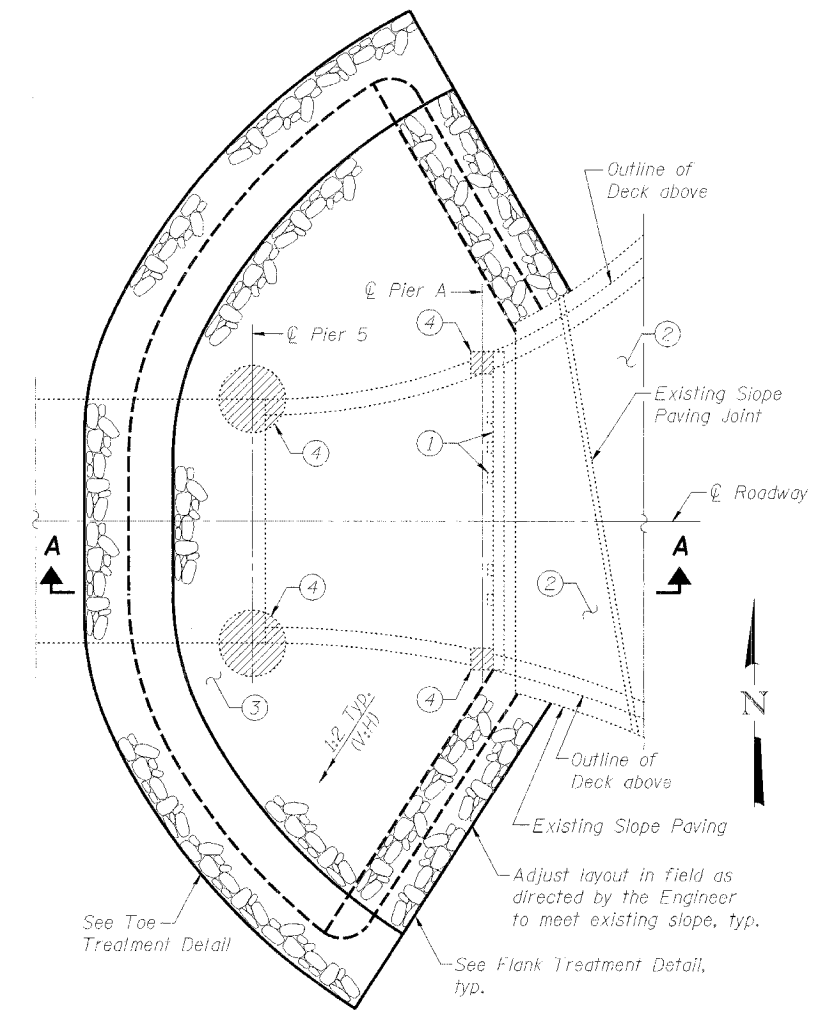


SECTION A-A
(Looking North)

KEY NOTES

- ① Existing timber retaining wall (7'± max. height). Remove top 3 rows of timbers (5 rows to remain) and cut-off top 2'± of 5 timber piles. Cost included in Stone Riprap.
- ② Existing, approximately horizontal, concrete slope paving to remain.
- ③ Clear brush and place embankment; place Filter Fabric, Sand Bedding, and Stone Riprap, Class B4.
- ④ Do not disturb existing pier columns.

LOCATION	UNIT	TOTAL
Furnished Excavation	Cu. Yd.	55
Filter Fabric	Sq. Yd.	395
Stone Riprap, Class B4	Sq. Yd.	395



PLAN VIEW

Slope Wall Treatment at East Abutment

DESIGNED	PJL
CHECKED	LLV
DRAWN	MGM
CHECKED	PJL

SLOPE WALL DETAILS
F.A.P. RTE. 17 (US 52/IL 64)
OVER MISSISSIPPI RIVER
SECTION 6000 M-1
CARROLL COUNTY (IL)
JACKSON COUNTY (IA)
STRUCTURE NO. 008-6000

STS CONSULTANTS
111 NE Jefferson Ave.
Peoria, Illinois 61602
Ph(309)676-8464
FAX(309)676-5445
IL Design Firm Reg. No. 184-001518