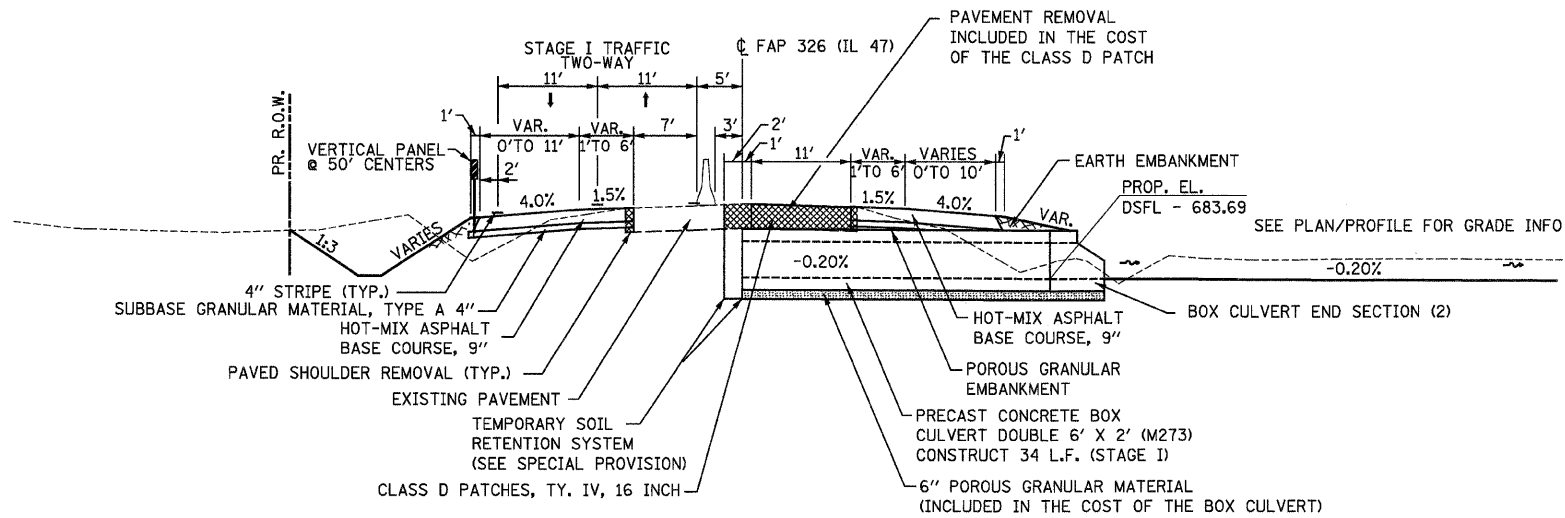
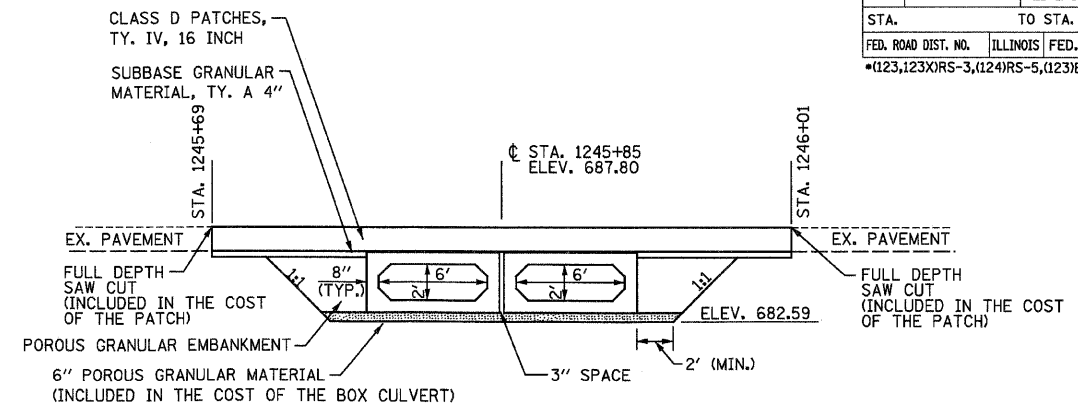


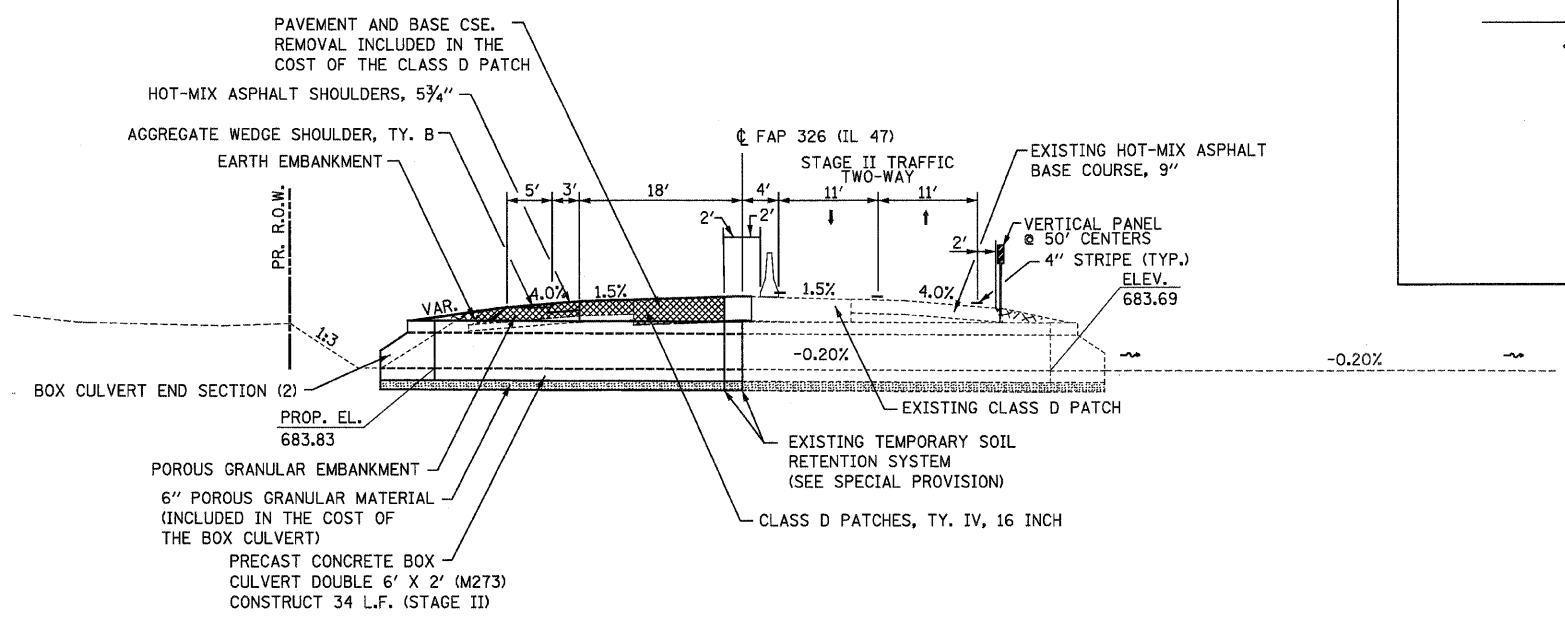
F.A.P. RTE.	SECTION	COUNTY	TOTAL SHEETS	SHEET NO.
326		LIVINGSTON	354	88
STA.		TO STA.		
FED. ROAD DIST. NO.		ILLINOIS FED. AID PROJECT		
		•(123)XRS-3,(124)RS-5,(123)BR-3		



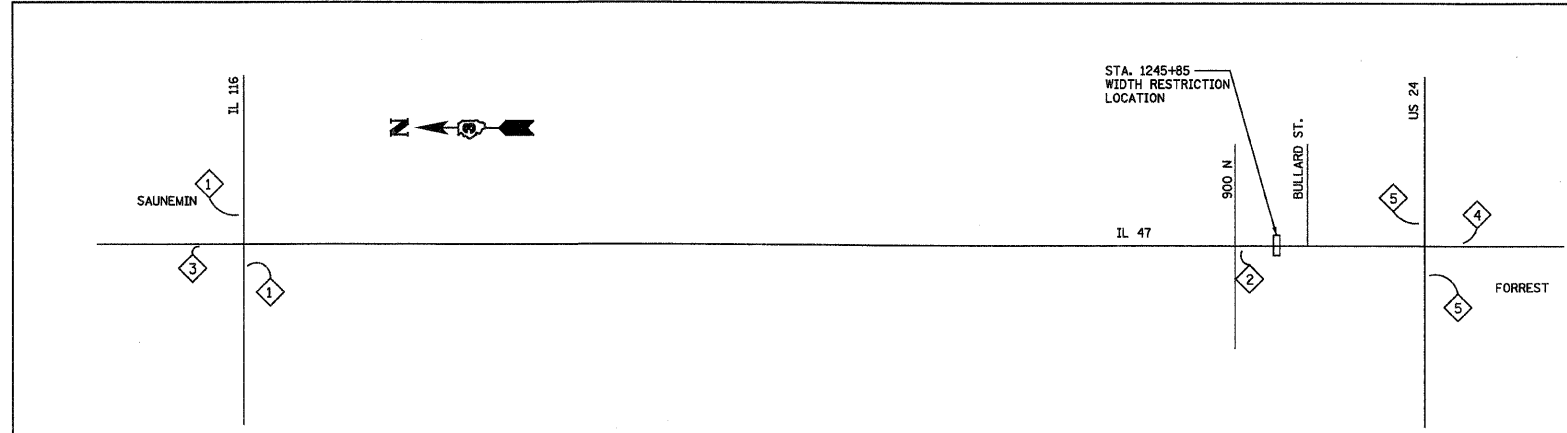
SECTION A-A (STAGE I)
VIEW THROUGH DOUBLE 6'X2' PRECAST
CONCRETE BOX CULVERT
STA. 1245+85
(NO SCALE)



SECTION B-B
ELEVATION VIEW OF
DOUBLE 6'X2' PRECAST CONCRETE
BOX CULVERT STA. 1245+85
(NO SCALE)



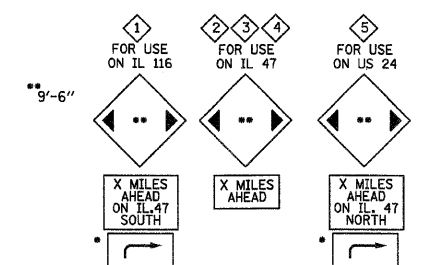
SECTION A-A (STAGE II)
VIEW THROUGH DOUBLE 6'X2' PRECAST
CONCRETE BOX CULVERT
STA. 1245+85
(NO SCALE)



STAGE I & II WIDTH RESTRICTION SIGNING DIAGRAM

(SEE WIDTH RESTRICTION SIGNING DETAIL SHEET)

◇ - WIDTH RESTRICTION SIGNING



ADVANCE WIDTH RESTRICTION SIGNS

LOCATION	DISTANCE AHEAD MILES
1	9
2	1/4
3	9
4	1/2
5	1/2

WB IL 116 LEFT ARROW
EB US 24 LEFT ARROW
WB US 24 RIGHT ARROW
EB IL 116 RIGHT ARROW

REVISIONS	
NAME	DATE

ILLINOIS DEPARTMENT OF TRANSPORTATION

STATION 1245+85
STAGING TYPICAL SECTIONS

SCALE: VERT. HORIZ.
DATE: DRAWN BY: CHECKED BY: