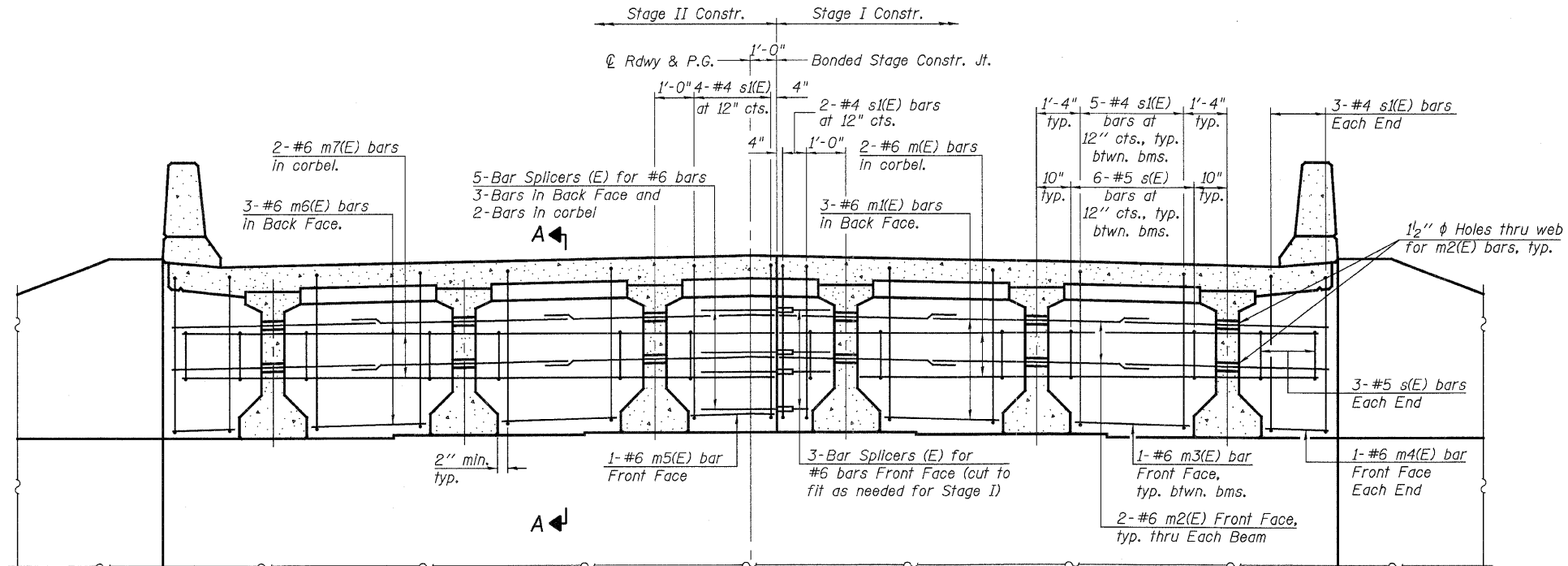


STATE OF ILLINOIS
DEPARTMENT OF TRANSPORTATION

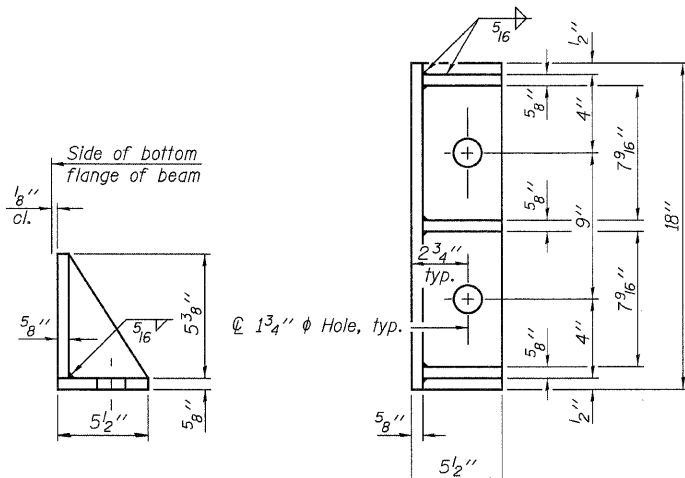
SHEET 6
OF 18

F.A.P. RTE.	SECTION	COUNTY	TOTAL SHEETS	SHEET NO.
326	(123)BR-3	LIVINGSTON	354	128
FED. ROAD DIST. NO.		ILLINOIS	FED. AID PROJECT	CONTRACT NO. 66601



DIAPHRAGM ELEVATION AT SOUTH ABUTMENT
(North Abutment Mirror Image)

MIN. BAR LAP
#6 bar = 2'-9"



SIDE RETAINER

Equivalent rolled angle with stiffeners will be allowed in lieu of welded plates.

Notes:

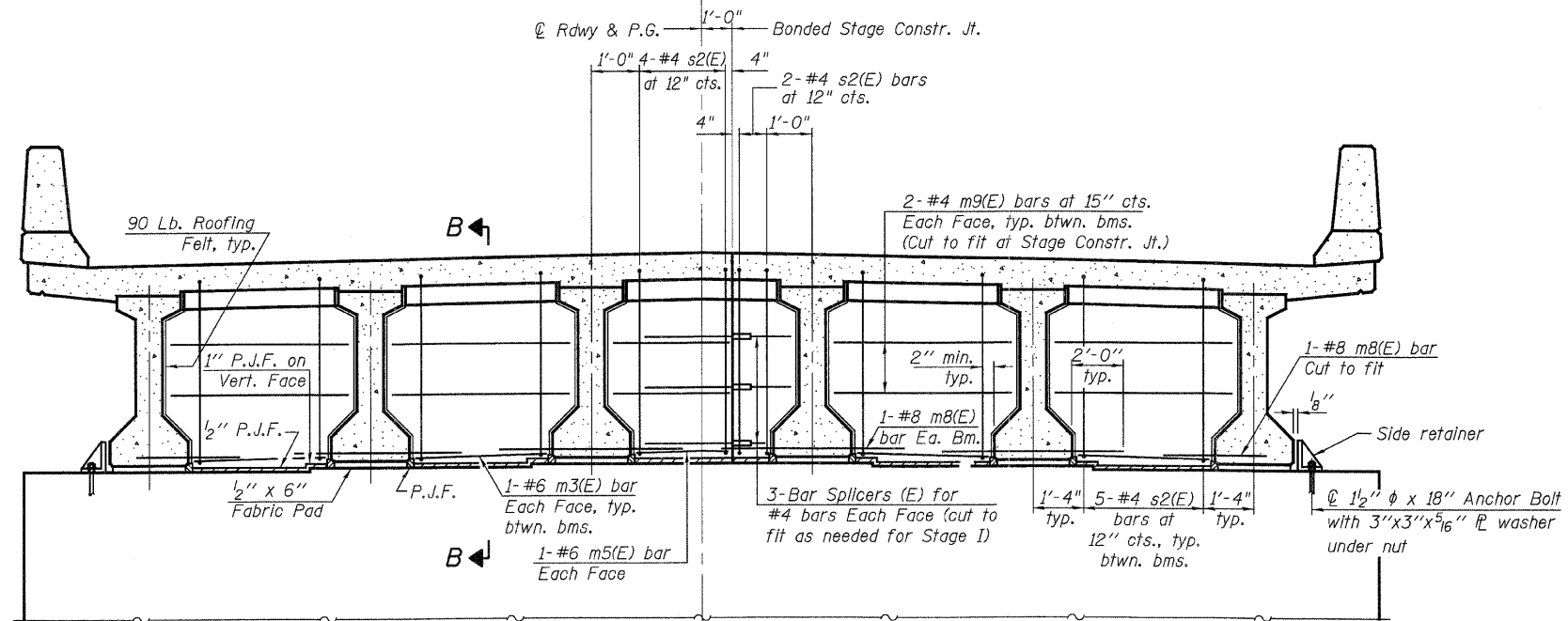
Reinforcement bars in diaphragm are billed with superstructure on sheet #8 of 18.

Concrete in diaphragm is included with Concrete Superstructure on sheet #8 of 18.

For details of bars s(E), s1(E) and s2(E) see sheet #8 of 18. The s(E), s1(E) and s2(E) bars shall be placed parallel to the beams. Spacing for these bars shall be at right angles to the beams.

See sheet #7 of 18 for Sections A-A and B-B.

Cost of 90 Lb. roofing felt is included with Concrete Superstructure. The side retainer shall be galvanized after shop fabrication according to AASHTO M 111 and ASTM A 385. Cost of side retainer and anchor bolts shall be included with Concrete Structures. See sheet #12 of 18 for anchor bolt details.



DIAPHRAGM AT PIER
(Looking South)

DIAPHRAGM DETAILS

ILLINOIS 47 OVER
NORTH FORK VERMILION RIVER
FAP ROUTE 326 SECTION (123)BR-3
LIVINGSTON COUNTY
STATION 949+25.00
STRUCTURE NO. 053-0179

Johnson, Depp & Quisenberry CONSULTING ENGINEERS Springfield, Illinois	
DESIGNED: CDB	DRAWN: P. Ray
CHECKED: DCD	CHECKED: CDB/DCD

PI-2DI

10-22-04

FILE: J:\JDD\101016 IL47 Livingston Ph2\1-VermilionRiver\06supersr12.dgn

USER: DCD

DATE: 11/29/2007 09:50:06