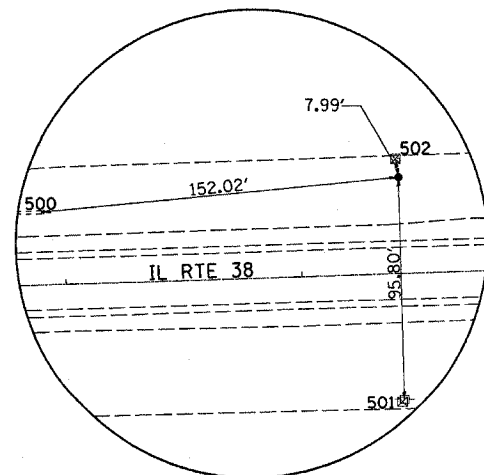


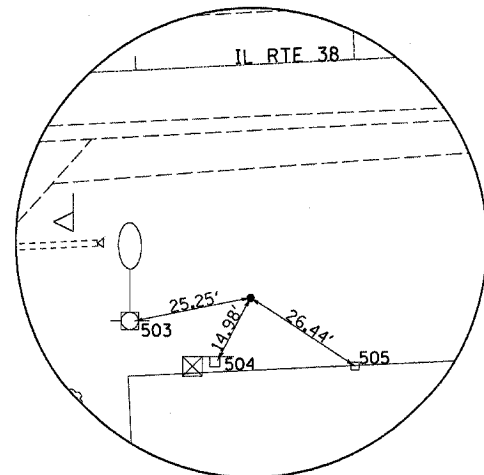
HORIZONTAL & VERTICAL CONTROL

HORIZONTAL CONTROL POINTS						
POINT	NORTH	EAST	ELEVATION	STATION	OFFSET	DESCRIPTION
1	1922080.2850	2660300.5810	905.3140	315+17.72	41.4530' LT	GPS CONTROL POINT
2	1922012.4150	2660883.7330	906.8220	320+97.61	49.7714' RT	GPS CONTROL POINT
3	1922125.1200	2661516.7060	898.6780	327+35.41	30.5920' LT	GPS CONTROL POINT
4	1922101.2030	2662215.0220	911.6770	334+31.99	27.6928' RT	GPS CONTROL POINT
5	1922192.5500	2662888.0650	908.4740	341+06.70	44.2994' LT	GPS CONTROL POINT

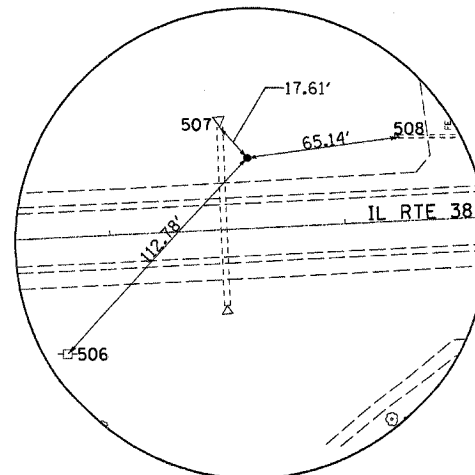
REFERENCE TIES			
POINT	STATION	OFFSET	DESCRIPTION
500	313+65.96	31.0671' LT	PIPE CULVERT
501	315+17.34	54.3471' RT	POWER POLE
502	315+16.68	49.3726' LT	R.O.W. MARKER
503	320+72.67	53.4919' RT	POWER POLE WITH LIGHT
504	320+89.96	62.6445' RT	WARNING SIGN
505	321+19.04	65.2173' RT	FENCE POST
506	326+55.43	48.9321' RT	POWER POLE
507	327+24.24	44.2047' LT	PIPE CULVERT
508	328+00.31	36.1458' LT	PIPE CULVERT
509	334+45.62	61.6361' RT	POWER POLE
510	334+53.11	64.0684' RT	TELEPHONE SPLICE BOX
511	334+15.70	63.9726' RT	R.O.W. MARKER
512	340+35.44	53.8945' RT	POWER POLE WITH TRANSFORMER
513	340+95.77	36.6928' LT	PIPE CULVERT
514	341+63.37	50.4345' LT	TELEPHONE SPLICE BOX



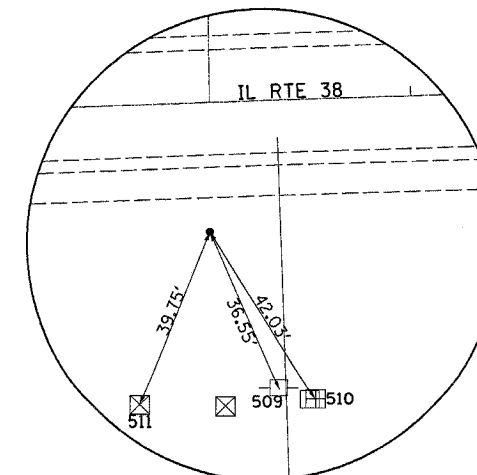
HORIZONTAL CONTROL POINT No. 1



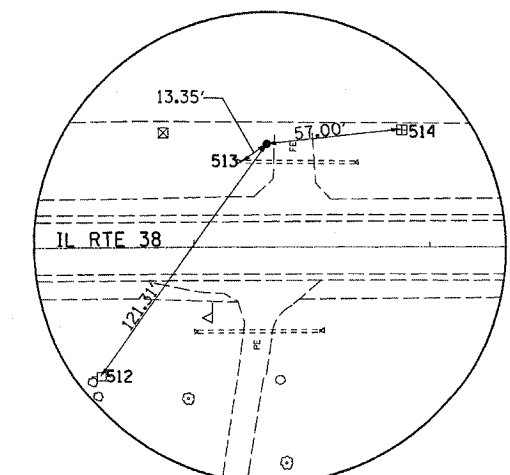
HORIZONTAL CONTROL POINT No. 2



HORIZONTAL CONTROL POINT No. 3



HORIZONTAL CONTROL POINT No. 4



HORIZONTAL CONTROL POINT No. 5