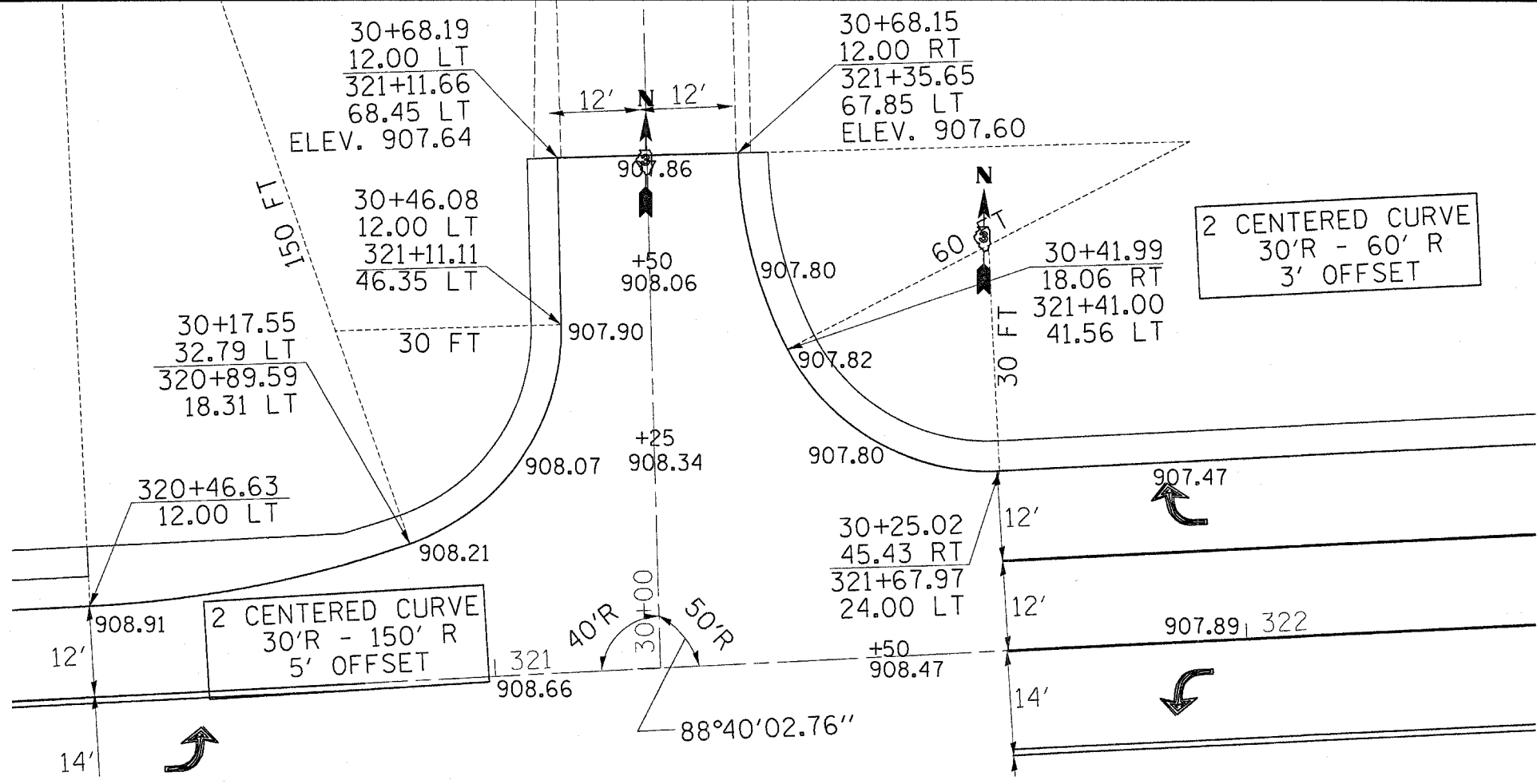




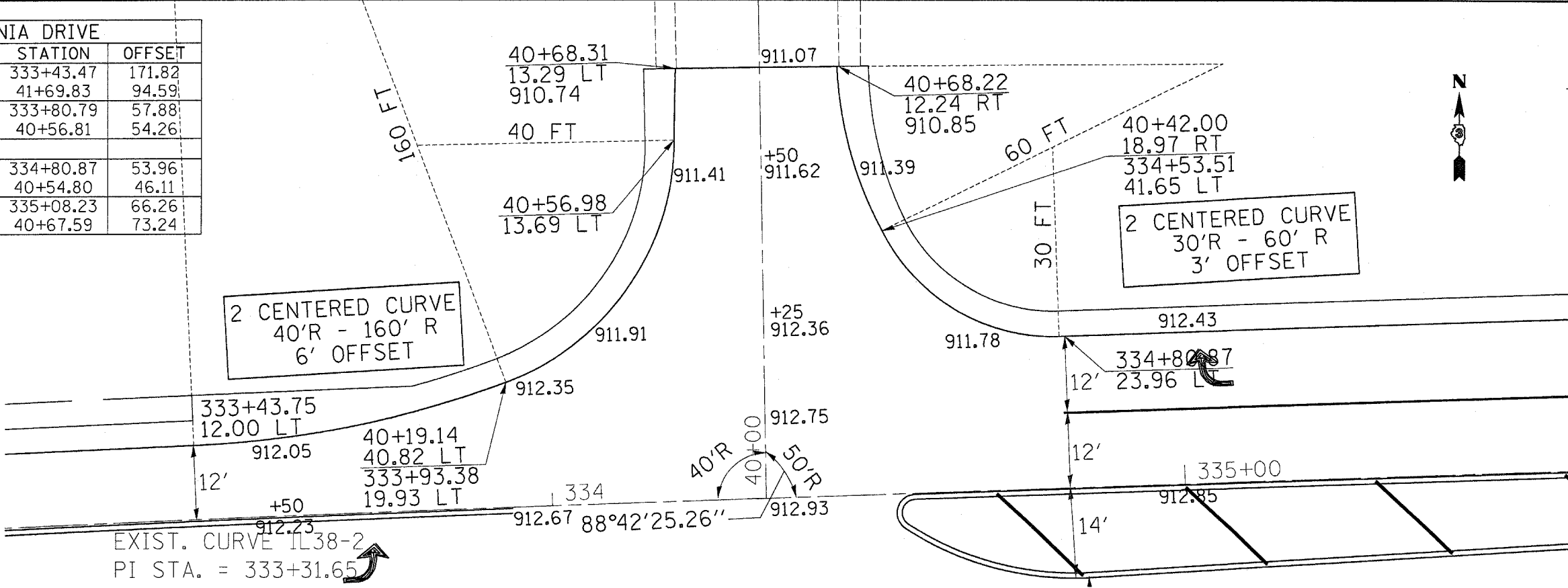
**DONNYBROOK LANE**



DONNYBROOK LANE		
NW QUAD	STATION	OFFSET
150 FT RADIUS	320+47	162.18
	31+60	78.51
30 FT RADIUS	320+81.12	47.09
	30+46.12	41.93
NE QUAD		
30 FT RADIUS	321+68.32	53.96
	30+55.03	45.08
60 FT RADIUS	321+95.63	66.36
	30+68.07	72.1

**VIRGINIA DRIVE**

VIRGINIA DRIVE		
NW QUAD	STATION	OFFSET
160 FT RADIUS	333+43.47	171.82
	41+69.83	94.59
40 FT RADIUS	333+80.79	57.88
	40+56.81	54.26
NE QUAD		
30 FT RADIUS	334+80.87	53.96
	40+54.80	46.11
60 FT RADIUS	335+08.23	66.26
	40+67.59	73.24



**VIRGINIA DRIVE**

FILE NAME =  
c:\projects\ved03006\planahs.dgn

USER NAME = Ferguson  
DESIGNED -  
DRAWN -  
CHECKED -  
DATE -

REVISOR -  
REVISIONS -  
REVISIONS -  
REVISIONS -

STATE OF ILLINOIS  
DEPARTMENT OF TRANSPORTATION

**INTERSECTION DETAIL PLAN SHEETS**

SCALE: SHEET NO. OF SHEETS STA. TO STA.

F.A.P. RTE.	SECTION	COUNTY	TOTAL SHEETS	SHEET NO.
567	34 N & N-1	DEKALB	62	25
FED. ROAD DIST. NO.		ILLINOIS FED. AID PROJECT		

CONTRACT NO. 66632