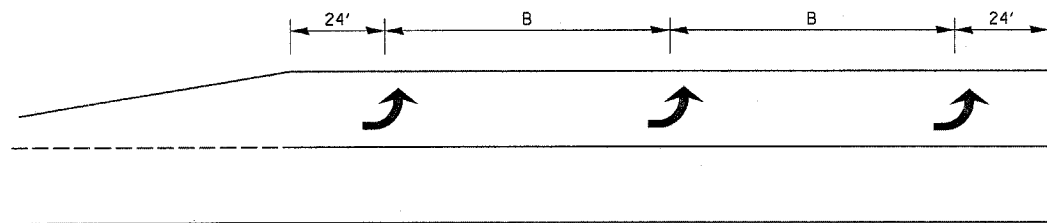
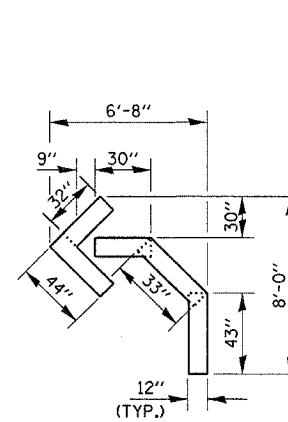


100' TO 149'

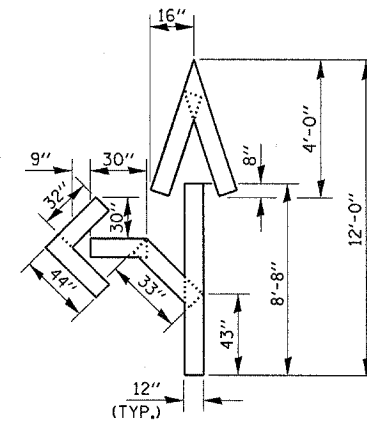


150' AND LONGER

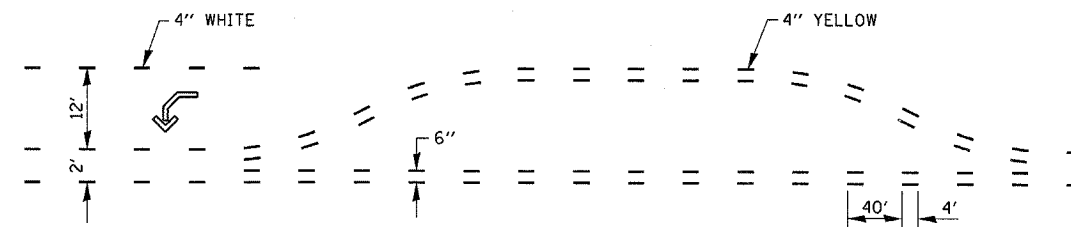
**TYPICAL PLACEMENT OF ARROWS  
IN TURN LANES**



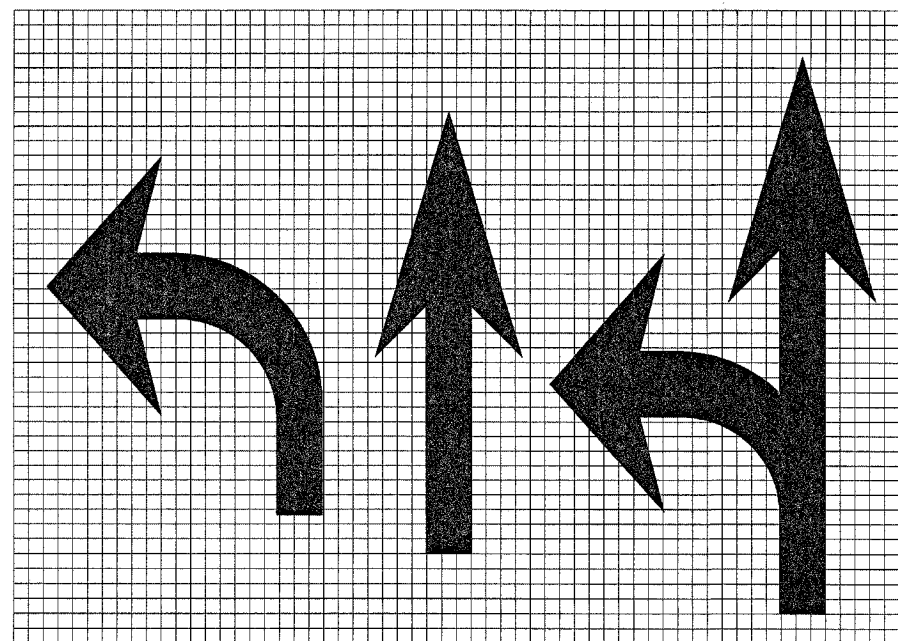
QUANTITY  
12" LINE = 16 LIN. FT.  
OR 4" LINE = 48 LIN. FT.



QUANTITY  
12" LINE = 29 LIN. FT.  
OR 4" LINE = 87 LIN. FT.



**SHORT-TERM PAVEMENT MARKING  
FOR MEDIANS AND ARROWS**



| LEGEND HEIGHT | ARROW SIZE | a   |
|---------------|------------|-----|
| 6'            | SMALL      | 2.9 |
| 8'            | LARGE      | 3.8 |

THE SPACE BETWEEN ADJACENT LETTERS OR NUMERALS SHOULD BE APPROXIMATELY 3 FOR 6' LEGEND AND 4' FOR 8' LEGEND.

**LETTER AND ARROW GRID SCALE**

|   |                      |            |           |
|---|----------------------|------------|-----------|
| FILE NAME =<br>c:\projects\ed03006\planshts.dgn | USER NAME = ferguson | DESIGNED - | REVISED - |
|   |                      | DRAWN -    | REVISED - |
|   |                      | CHECKED -  | REVISED - |
|   |                      | DATE -     | REVISED - |
|   |                      |            |           |

STATE OF ILLINOIS  
DEPARTMENT OF TRANSPORTATION

**DETAILS SHEET**

SCALE: SHEET NO. OF SHEETS STA. TO STA.

|   |                       |                  |                    |                 |
|---|-----------------------|------------------|--------------------|-----------------|
| F.A.P. RTE.<br>567                            | SECTION<br>34 N & N-1 | COUNTY<br>DEKALB | TOTAL SHEETS<br>62 | SHEET NO.<br>29 |
| CONTRACT NO. 66632                            |                       |                  |                    |                 |
| FED. ROAD DIST. NO. ILLINOIS FED. AID PROJECT |                       |                  |                    |                 |