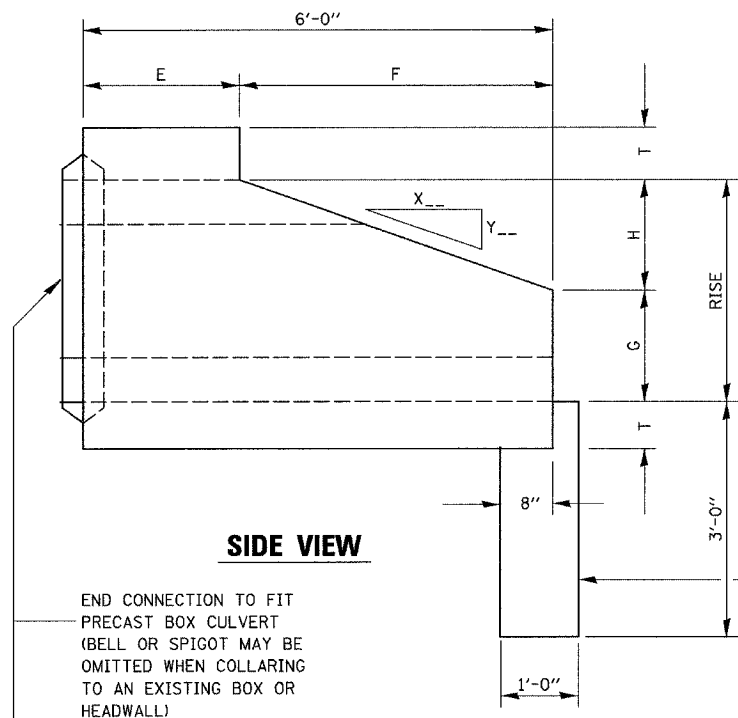
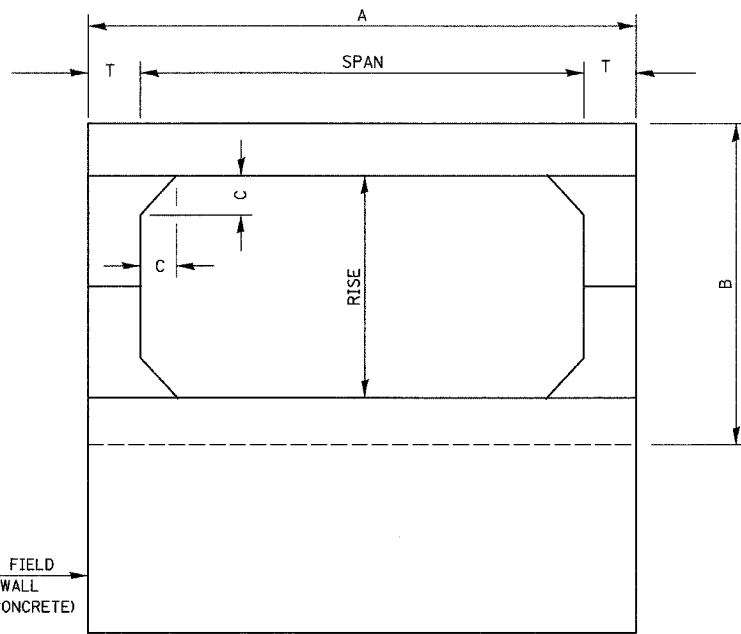


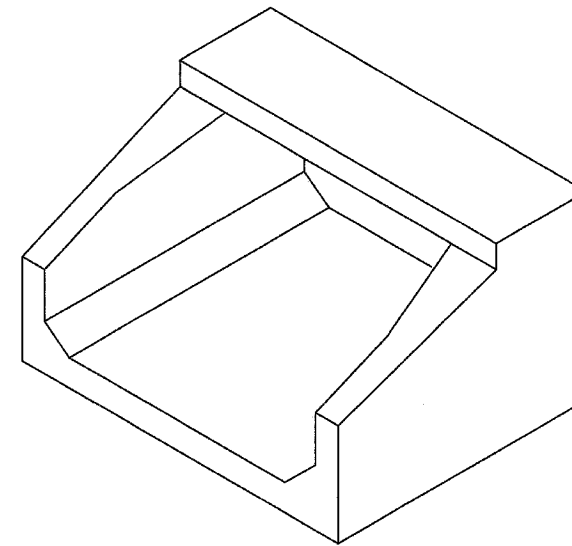
F.A.P. RTE.	SECTION	COUNTY	TOTAL SHEETS	SHEET NO.
41	12 I	KANKAKEE	21	13
STA. _____		TO STA. _____		
FED. ROAD DIST. NO. _____		ILLINOIS FED. AID PROJECT		



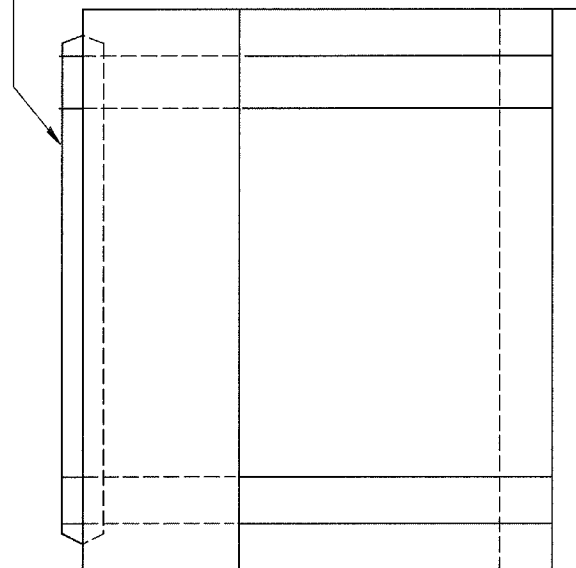
**SIDE VIEW**



**END VIEW**



**ISOMETRIC VIEW**



**PLAN**

SPAN X RISE	T (INCHES)	A (FT.-IN.)	B (FT.-IN.)	C (INCHES)	E (FT.-IN.)	F (FT.-IN.)	G (FT.-IN.)	H (FT.-IN.)	SLOPE
2' X 2'	4	2 - 8	2 - 8	4	3 - 0	3 - 0	1 - 0	1 - 0	3 : 1
3' X 2'	4	3 - 8	2 - 8	4	3 - 0	3 - 0	1 - 0	1 - 0	3 : 1
3' X 3'	4	3 - 8	3 - 8	4	2 - 0	4 - 0	1 - 8	1 - 4	3 : 1
4' X 2'	5	4 - 10	2 - 10	5	3 - 0	3 - 0	1 - 0	1 - 0	3 : 1
4' X 3'	5	4 - 10	3 - 10	5	2 - 0	4 - 0	1 - 8	1 - 4	3 : 1
4' X 4'	5	4 - 10	4 - 10	5	2 - 0	4 - 0	2 - 0	2 - 0	2 : 1
5' X 2'	6	6 - 0	3 - 0	6	3 - 0	3 - 0	1 - 0	1 - 0	3 : 1
5' X 3'	6	6 - 0	4 - 0	6	2 - 0	4 - 0	1 - 8	1 - 4	3 : 1
5' X 4'	6	6 - 0	5 - 0	6	2 - 0	4 - 0	2 - 0	2 - 0	2 : 1
5' X 5'	6	6 - 0	6 - 0	6	4 - 0	4 - 0	3 - 0	2 - 0	2 : 1
6' X 2'	7	7 - 2	3 - 2	7	3 - 0	3 - 0	1 - 0	1 - 0	3 : 1
6' X 3'	7	7 - 2	4 - 2	7	2 - 0	4 - 0	1 - 8	1 - 4	3 : 1
6' X 4'	7	7 - 2	5 - 2	7	2 - 0	4 - 0	2 - 0	2 - 0	2 : 1
6' X 5'	7	7 - 2	6 - 2	7	4 - 0	4 - 0	3 - 0	2 - 0	2 : 1
7' X 3'	8	8 - 4	4 - 4	8	4 - 0	4 - 0	1 - 8	1 - 4	3 : 1
7' X 4'	8	8 - 4	5 - 4	8	4 - 0	2 - 0	2 - 0	2 - 0	2 : 1
7' X 5'	8	8 - 4	6 - 4	8	4 - 0	3 - 0	3 - 0	2 - 0	2 : 1
8' X 3'	8	9 - 4	4 - 4	8	4 - 0	1 - 8	1 - 4	1 - 4	3 : 1
8' X 4'	8	9 - 4	5 - 4	8	4 - 0	2 - 0	2 - 0	2 - 0	2 : 1
8' X 5'	8	9 - 4	6 - 4	8	4 - 0	3 - 0	3 - 0	2 - 0	2 : 1
9' X 3'	9	10 - 6	4 - 6	9	4 - 0	1 - 8	1 - 4	1 - 4	3 : 1
9' X 4'	9	10 - 6	5 - 6	9	4 - 0	2 - 0	2 - 0	2 - 0	2 : 1
9' X 5'	9	10 - 6	6 - 6	9	4 - 0	3 - 0	3 - 0	2 - 0	2 : 1
10' X 4'	10	11 - 8	5 - 8	10	4 - 0	2 - 0	2 - 0	2 - 0	2 : 1
10' X 5'	10	11 - 8	6 - 8	10	4 - 0	3 - 0	3 - 0	2 - 0	2 : 1

PLOT DATE = 10/07  
 FILE NAME = Z02207DETAILS.DGN  
 PLOT SCALE = NONE  
 USER NAME = LAG

REVISIONS	
NAME	DATE

ILLINOIS DEPARTMENT OF TRANSPORTATION  
 PRECAST CONCRETE BOX  
 CULVERT END SECTION  
 FAP 41 (IL 17)  
 SECTION 12 I  
 KANKAKEE COUNTY  
 SCALE: VERT. \_\_\_\_\_  
 HORIZ. \_\_\_\_\_  
 DATE: 10/07  
 DRAWN BY: LAG  
 CHECKED BY: JKC