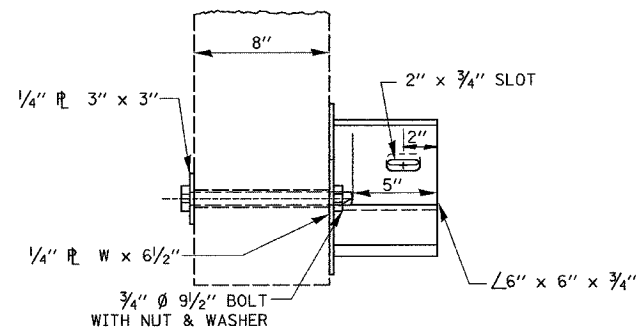
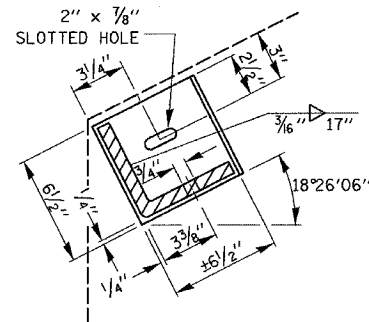


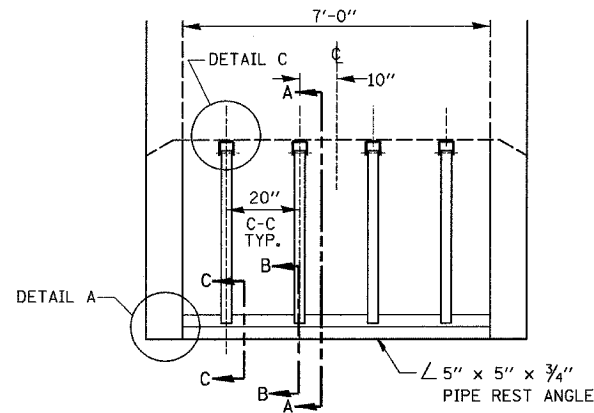
F.A.P. RTE.	SECTION	COUNTY	TOTAL SHEETS	SHEET NO.
41	12 I	KANKAKEE	21	14
STA. _____		TO STA. _____		
FED. ROAD DIST. NO. _____ ILLINOIS FED. AID PROJECT				



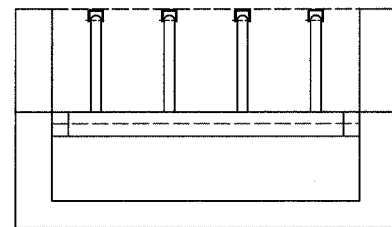
PLAN
END BRACKET ASSEMBLY



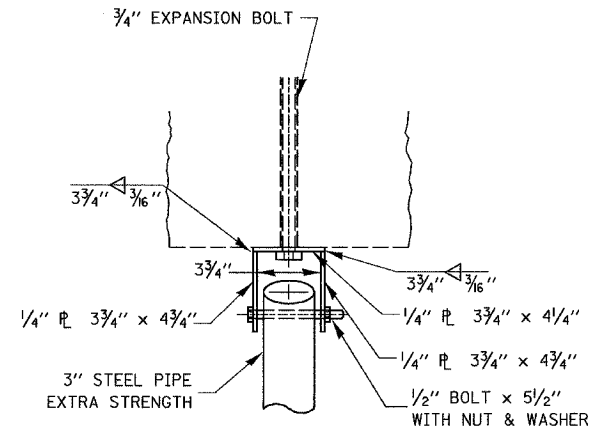
SECTION THRU
DETAIL A



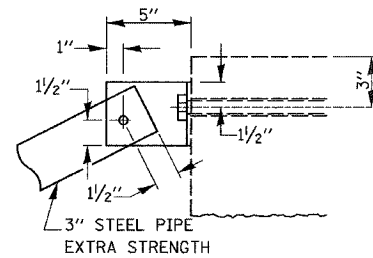
PLAN VIEW



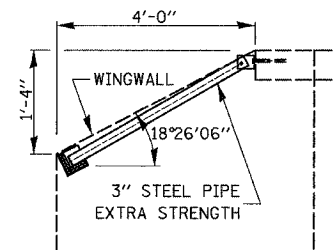
ELEVATION VIEW



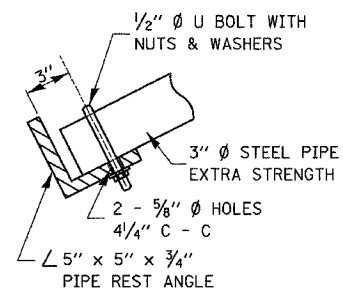
PLAN
HEADWALL BRACKET ASSEMBLY



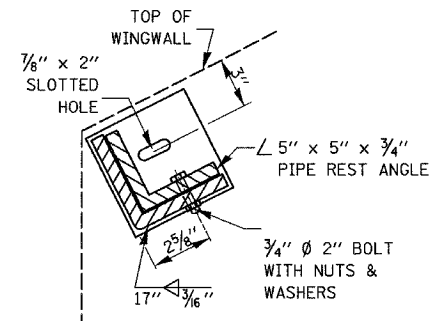
SECTION THRU
DETAIL C



SECTION A-A



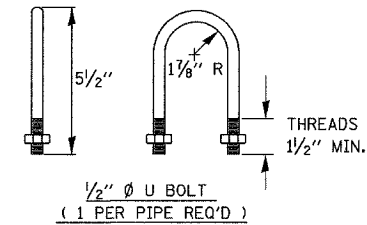
SECTION B-B



SECTION C-C

GENERAL NOTES

BOLTS AND NUTS SHALL CONFORM TO ASTM A 307.
 ALL BOLTS SHALL HAVE WASHERS AT EACH END.
 HOLES SHALL BE 1/16" OVERSIZE UNLESS OTHERWISE NOTED EXCEPT IN CONCRETE WHICH SHALL BE 1/8" OVERSIZE.
 ANGLES AND STEEL PLATES SHALL CONFORM TO AASHTO M183.
 STEEL PIPES SHALL CONFORM TO ASTM A53 GRADE B OR ASTM A 501.
 STEEL PIPES, ANGLES AND PLATES SHALL BE HOT DIPPED GALVANIZED CONFORMING TO THE REQUIREMENTS OF AASHTO M111.
 BOLTS, NUTS AND WASHERS SHALL BE HOT DIPPED GALVANIZED CONFORMING TO THE REQUIREMENTS OF AASHTO M232.
 ALL DIMENSIONS ARE TO BE VERIFIED IN THE FIELD.
 CUTTING OF THE EXTRA STRENGTH PIPE AND ANGLES TO THE EXACT LENGTHS AND DRILLING HOLES IS TO BE DONE IN THE FIELD.
 THIS WORK SHALL BE PAID FOR AT THE CONTRACT UNIT PRICE "EACH" FOR GRATING FOR PRECAST CONCRETE BOX CULVERT END SECTION 7' X 3' AND SHALL INCLUDE FABRICATION PAINTING, AND INSTALLATION OF THE GRATING AS DETAILED.



GRATING FOR PRECAST CONCRETE BOX CULVERTS WITH END SECTIONS