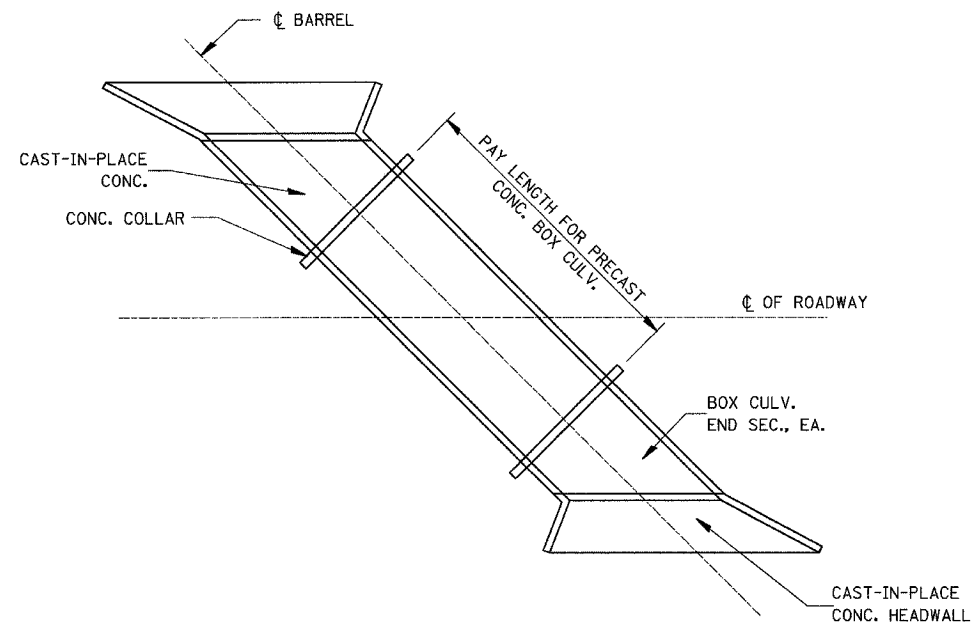
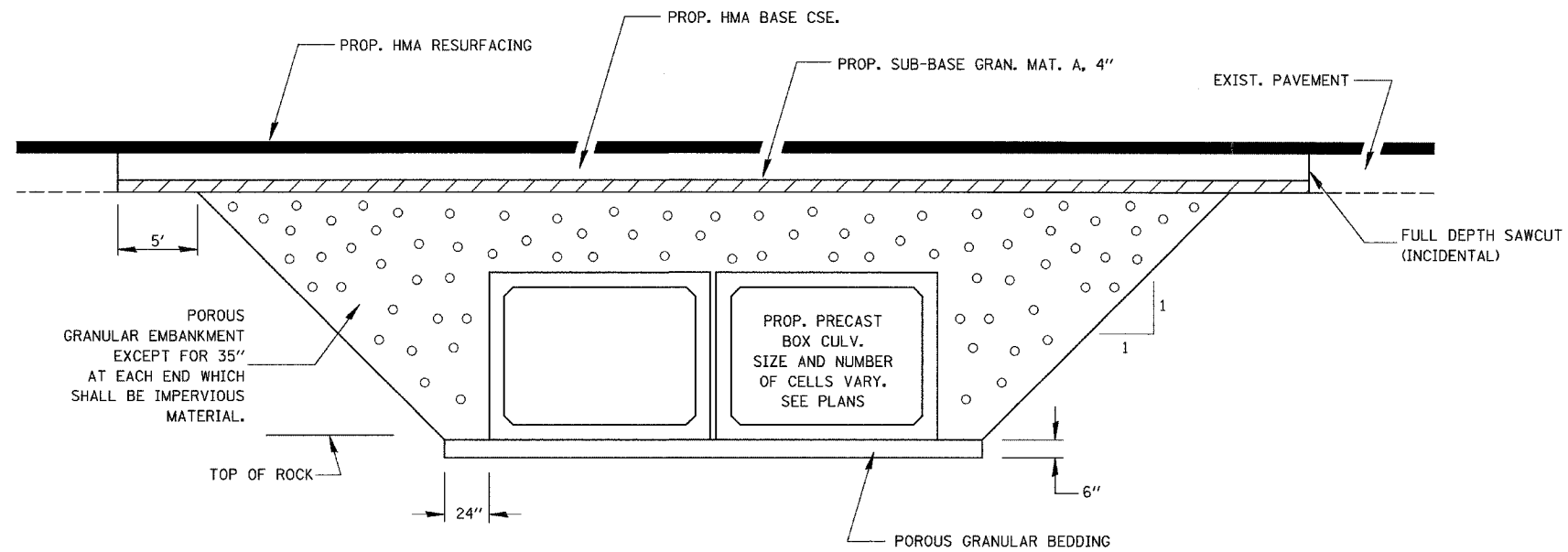


F.A.P. RTE.	SECTION	COUNTY	TOTAL SHEETS	SHEET NO.
41	12 I	KANKAKEE	21	15
STA. _____		TO STA. _____		
FED. ROAD DIST. NO. _____ ILLINOIS FED. AID PROJECT				

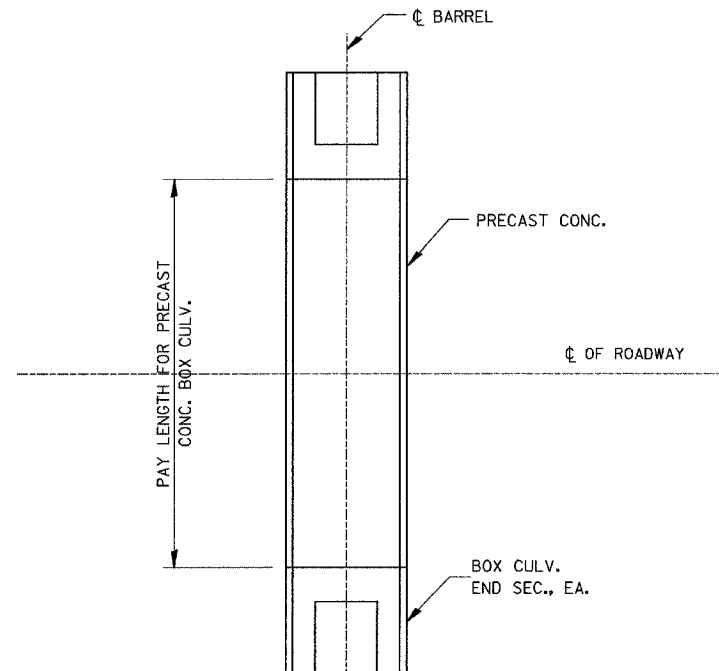


PAY LENGTH FOR PRECAST CONCRETE BOX CULVERT SKEWED WITH ROADWAY

N.T.S.

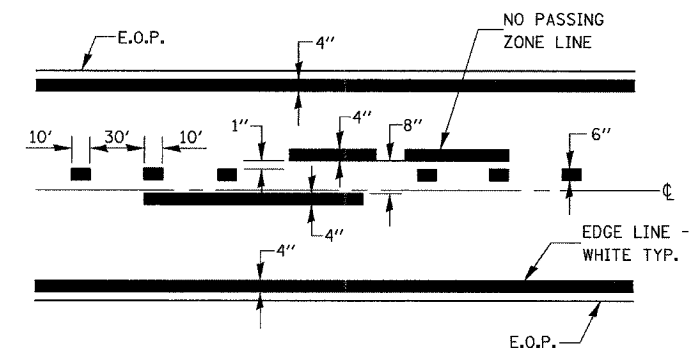


SECTION THROUGH PRECAST BOX CULVERT



PAY LENGTH FOR PRECAST CONCRETE BOX CULVERT AT RIGHT ANGLES WITH ROADWAY

N.T.S.



PAVEMENT MARKING

REVISIONS	
NAME	DATE

ILLINOIS DEPARTMENT OF TRANSPORTATION

DETAILS
FAP 41 (IL 17)
SECTION 12 I
KANKAKEE COUNTY

VERT. SCALE:
HORIZ. SCALE:
DATE: 10/07

DRAWN BY: LAG
CHECKED BY: JKC