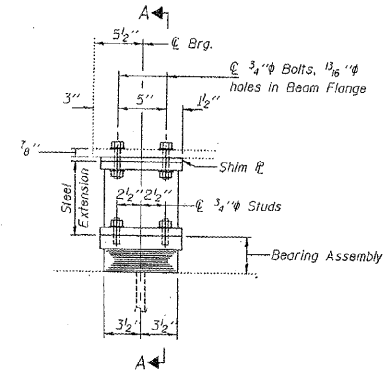
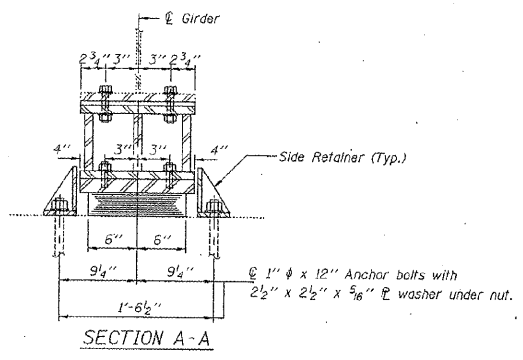


FRAMING PLAN

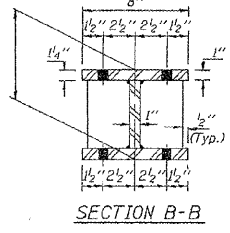


ELEVATION AT EAST ABUT. & EAST BRG. PIER #2

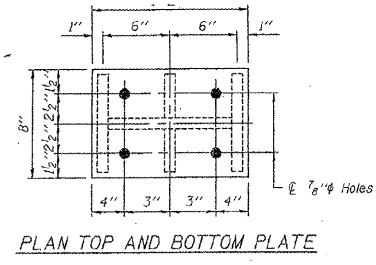
TYPE I ELASTOMERIC EXP. BRG.



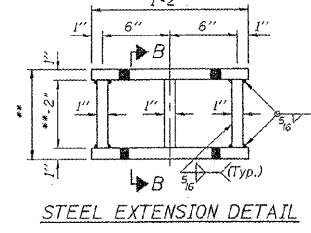
SECTION A-A



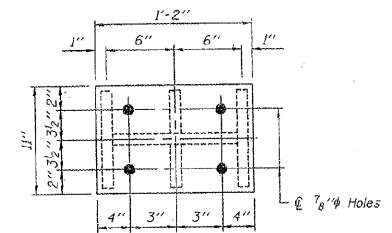
SECTION B-B



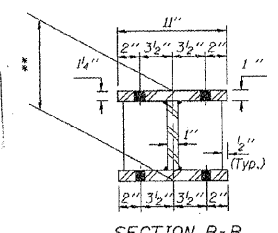
PLAN TOP AND BOTTOM PLATE



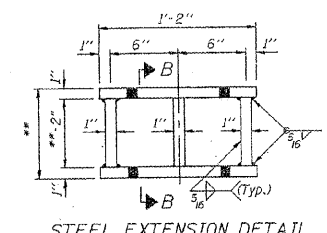
STEEL EXTENSION DETAIL



PLAN TOP AND BOTTOM PLATE

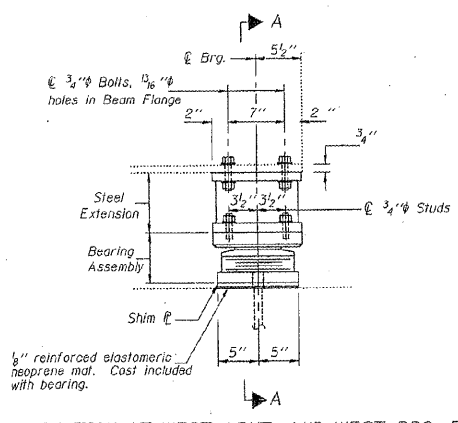


SECTION B-B



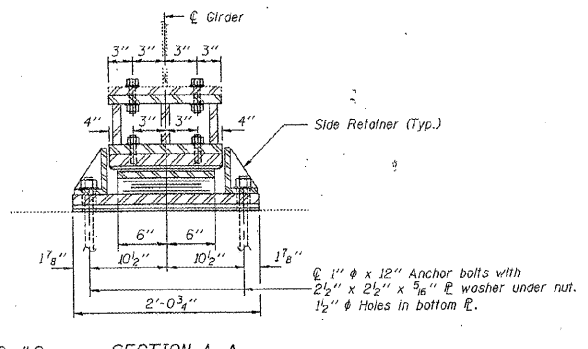
STEEL EXTENSION DETAIL

NOTE: For removal of existing bearing details see sheet 13 of 16.



ELEVATION AT WEST ABUT. AND WEST BRG. PIER #2

TYPE II TFE ELASTOMERIC EXP. BRG.



SECTION A-A

Location	*** Girder	1	2	3	4	5
East Abutment	Steel Extension	10 5/8"	10 5/8"	10 5/8"	10 5/8"	10 5/8"
	Shim thickness	5/8"	-	-	1/4"	-
East Brg. Pier #2	Steel Extension	10 3/8"	10 3/8"	10 3/8"	10 3/8"	10 3/8"
	Shim thickness	-	-	1/4"	3/8"	1/8"

*** Girder designation is from South to North

Location	*** Girder	1	2	3	4	5
West Brg. Pier #2	Steel Extension	6 1/8"	6 1/8"	6 1/8"	6 1/8"	6 1/8"
	Shim thickness	1/2"	1/4"	1/4"	3/8"	-
West Abutment	Steel Extension	6 5/8"	6 5/8"	6 5/8"	6 5/8"	6 5/8"
	Shim thickness	-	3/8"	1/4"	1/4"	-

*** Girder designation is from South to North

FILE NAME =	USER NAME = woodshankr1	DESIGNED - RON WOODSHANK	REVISED -
PROJECT = bridgepoint.08\046-0081 & 08.dgn		DRAWN - RON WOODSHANK	REVISED -
PLOT SCALE = 205.8058 / IN.		CHECKED -	REVISED -
PLOT DATE = Dec 06, 2007 - 10:48:46 AM		DATE -	REVISED -

STATE OF ILLINOIS
DEPARTMENT OF TRANSPORTATION

STRUCTURAL STEEL - S.N. 046-0089

SCALE: SHEET NO. 11 OF 12 SHEETS

F.A.I. RTE.	SECTION	COUNTY	TOTAL SHEETS	SHEET NO.
57	4614HB,4BIBP	KANKAKEE	12	11
FED. ROAD DIST. NO. ILLINOIS			CONTRACT NO. 66738	