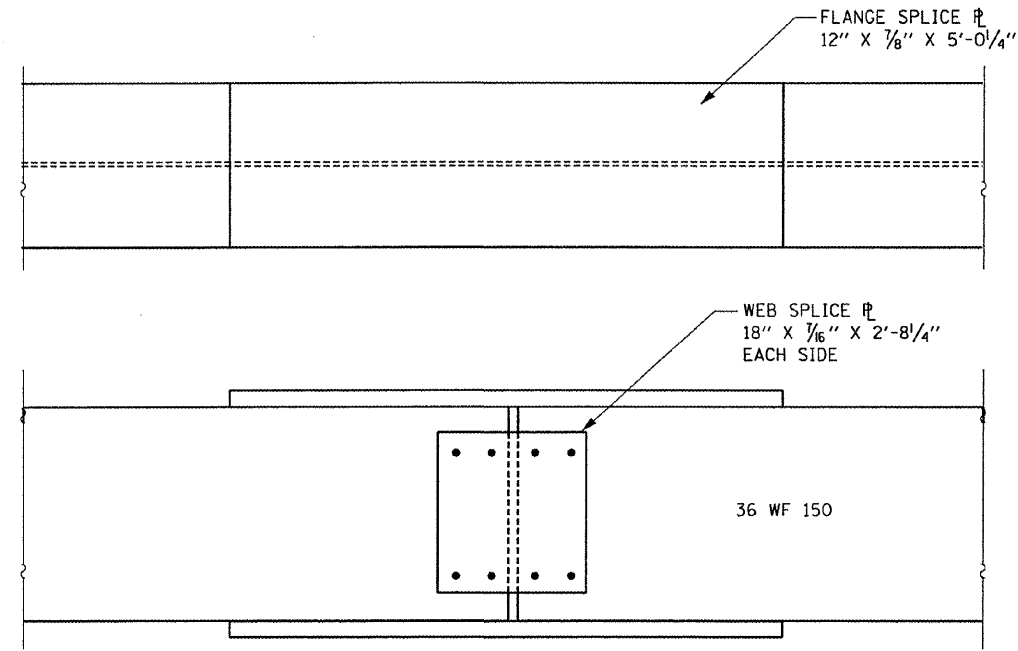
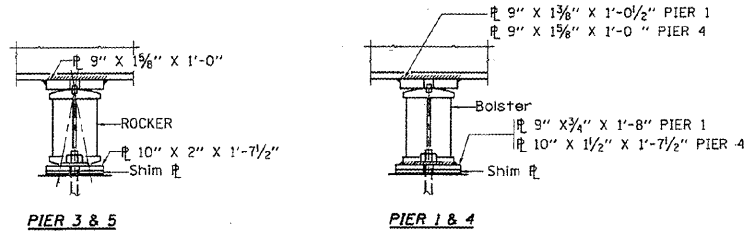


DETAIL OF SPLICE A

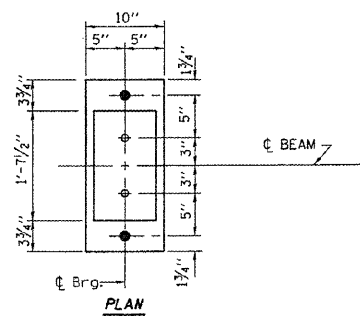


DETAIL OF SPLICE B, C, D

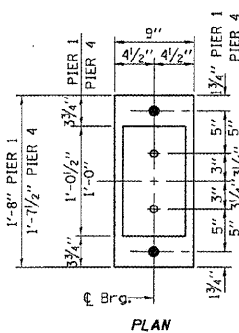


PIER 3 & 5

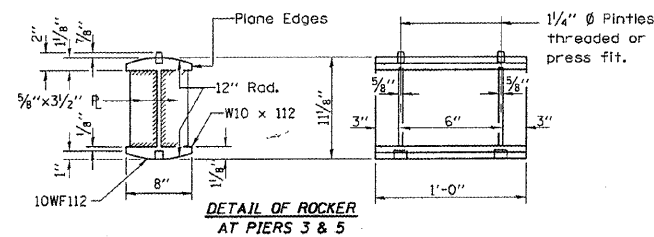
PIER 1 & 4



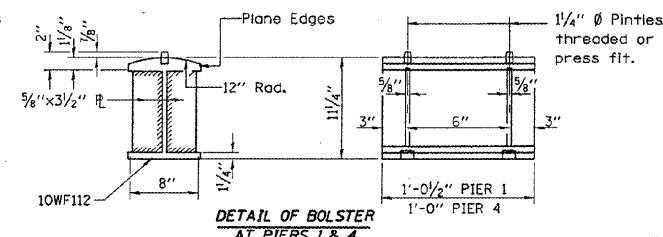
PLAN



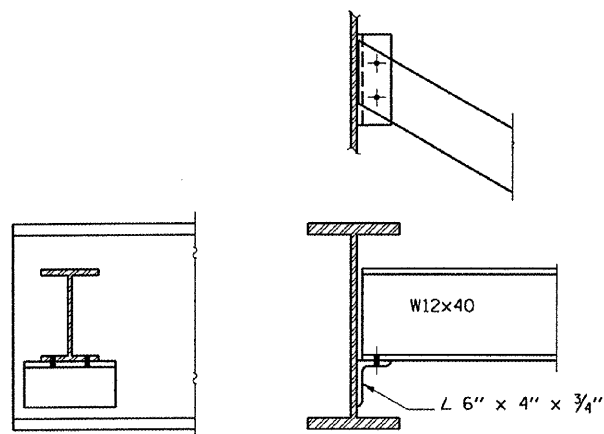
PLAN



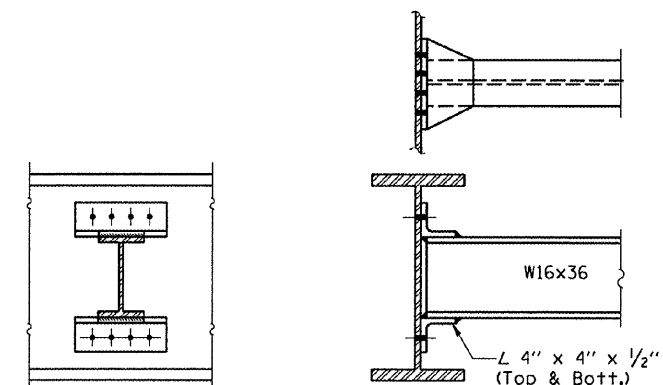
DETAIL OF ROCKER AT PIERS 3 & 5



DETAIL OF BOLSTER AT PIERS 1 & 4



DIAPHRAGM D



DIAPHRAGM D1

FILE NAME =	USER NAME = woodshankr1	DESIGNED - RON WOODSHANK	REVISED -
ca\projects\bridgepaint_08\046-0081 & B	dgn	DRAWN - RON WOODSHANK	REVISED -
		CHECKED -	REVISED -
		DATE -	REVISED -

STATE OF ILLINOIS  
DEPARTMENT OF TRANSPORTATION

STRUCTURAL STEEL - S.N. 046-0089

SCALE: SHEET NO. 12 OF 12 SHEETS

F.A.I. RTE.	SECTION	COUNTY	TOTAL SHEETS	SHEET NO.
57	46(4HV8,4B)BP	KANKAKEE	12	12
FED. ROAD DIST. NO. ILLINOIS			CONTRACT NO. 66738	