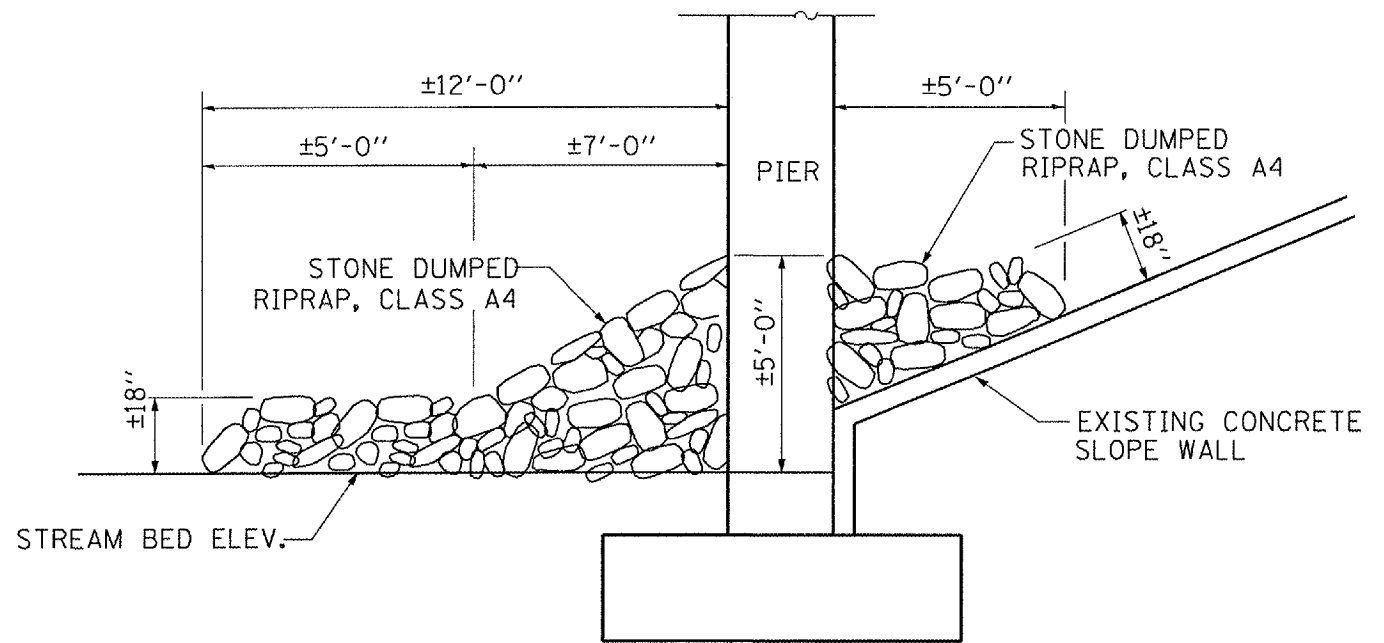


PLAN



ELEVATION

FILE NAME =
c:\projects\main\08\cm318\details.dgn

USER NAME = woodshankr1
PLOT SCALE = 41.3612" / 1"
PLOT DATE = Dec 06, 2007 - 08:12:57 AM

DESIGNED - RON WOODSHANK
DRAWN - RON WOODSHANK
CHECKED -
DATE -

REVISED -
REVISED -
REVISED -
REVISED -

STATE OF ILLINOIS
DEPARTMENT OF TRANSPORTATION

RIPRAP DETAILS

SCALE: NONE SHEET NO. 6 OF 6 SHEETS STA. TO STA.

F.A. RTE.	SECTION	COUNTY	TOTAL SHEETS	SHEET NO.
80	(06-6B)	BUREAU	6	6
CONTRACT NO. 66743				
FED. ROAD DIST. NO.		ILLINOIS		