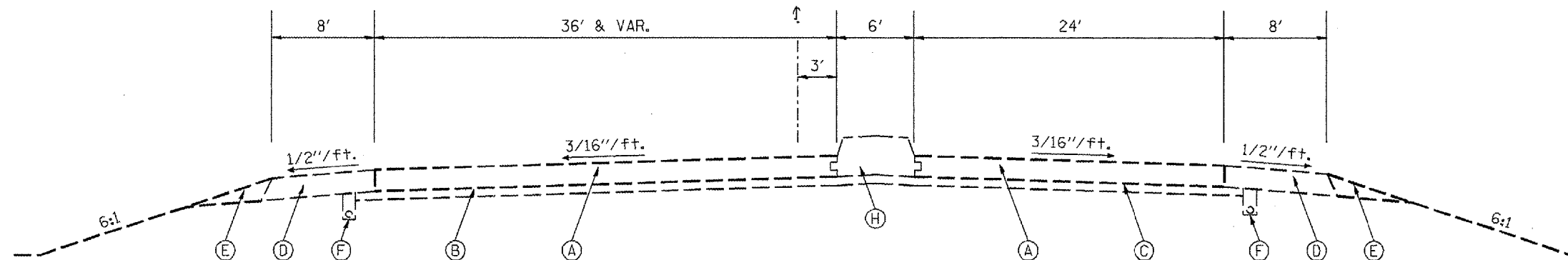
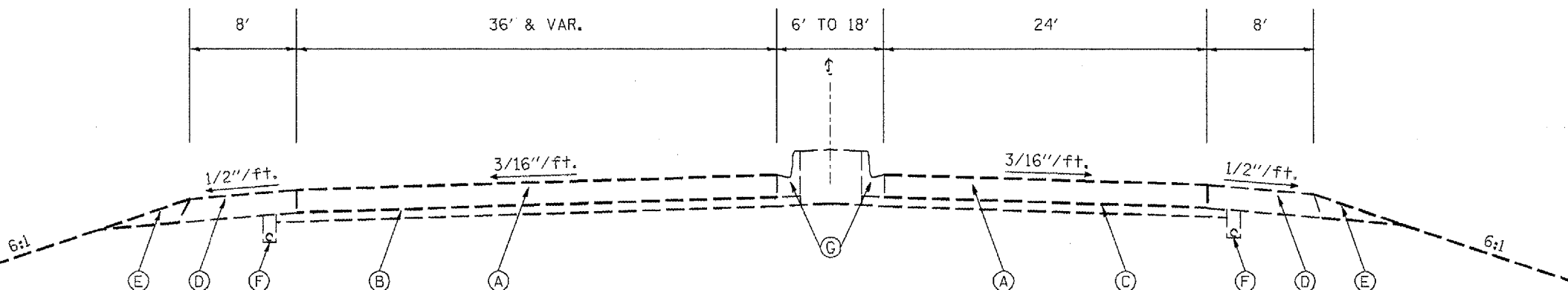


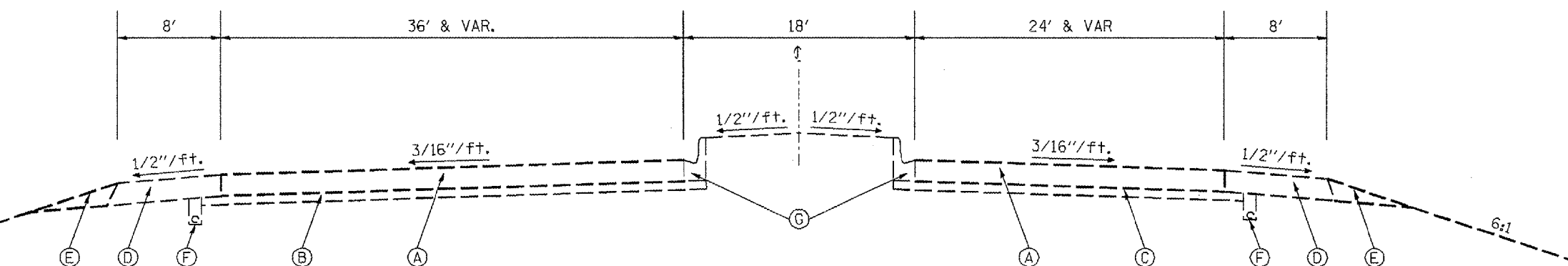
F.A.P. RTE.	SECTION	COUNTY	TOTAL SHEETS	SHEET NO.
318	72-16-URS	PEORIA	89	11
STA.		TO STA.		
FED. ROAD DIST. NO.		ILLINOIS	FED. AID PROJECT	



IL 6 (IL 29 SPUR) TANGENT SECTION
STA. 6+07.17 TO 8+16.99



IL 6 (IL 29 SPUR) TANGENT SECTION
STA. 8+16.99 TO 10+46.99



IL 6 (IL 29 SPUR) TANGENT SECTION
STA. 10+46.99 TO 13+60

- (A) 10" CONT. REINF. PCC PAVEMENT - (TO BE REMOVED)
- (B) 8" STABILIZED SUB-BASE (BAM) - (TO BE REMOVED)
- (C) 5" STABILIZED SUB-BASE (CAM) - (TO BE REMOVED)
- (D) 10" STABILIZED SHOULDERS (BAM) - (TO BE REMOVED)
- (E) AGGREGATE SHOULDER TYPE B
- (F) 4" PIPE UNDERDRAIN - (TO BE REMOVED)
- (G) CCC&G, TYPE B-6.12 - (TO BE REMOVED)
- (H) CONCRETE MEDIAN TYPE S.B.-6.12 - (TO BE REMOVED)

PLOT DATE = 12/17/2007
 FILE NAME = S:\68110\Drawings\Tangent\IL6\Plus\Sound\New\Native\Construct\68110\Cover sheet & 900.dgn
 USER NAME = bruce

REVISIONS		ILLINOIS DEPARTMENT OF TRANSPORTATION
NAME	DATE	
		EXISTING PAVEMENT IL 6

SCALE: VERT. _____
HORIZ. _____
DATE _____ DRAWN BY _____
CHECKED BY _____