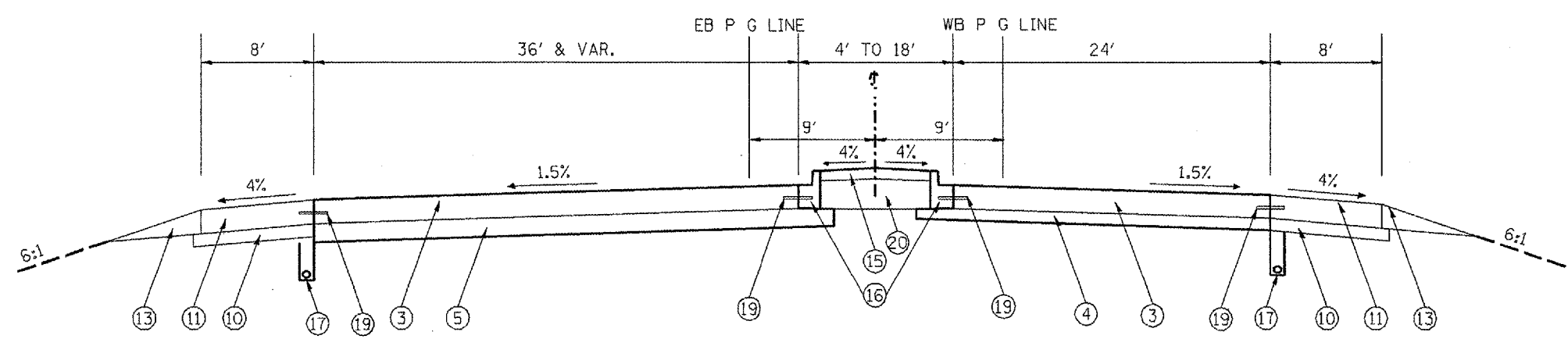
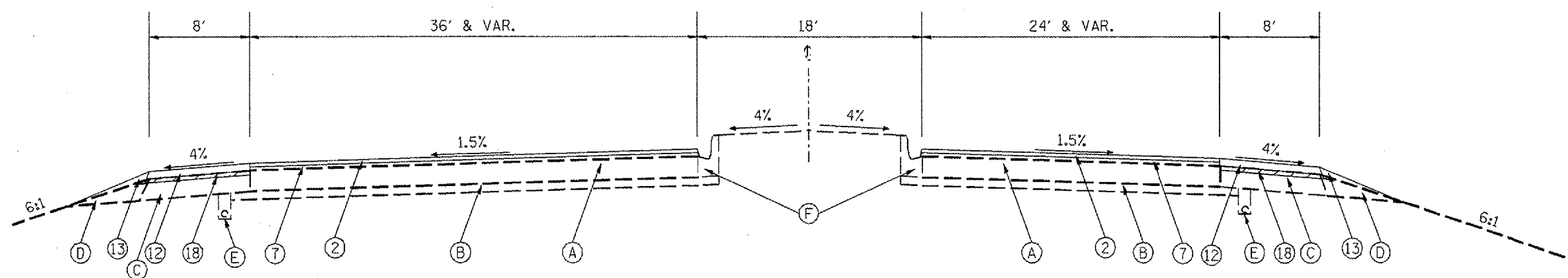


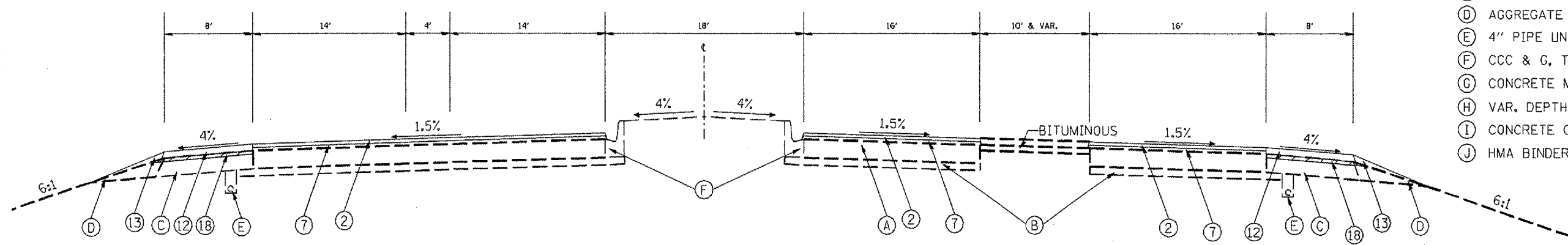
F.A.P. RTE.	SECTION	COUNTY	TOTAL SHEETS	SHEET NO.
318	72-16-URS	PEORIA	89	13
STA.	TO STA.			
FED. ROAD DIST. NO.	ILLINOIS	FED. AID PROJECT		



IL 6 TANGENT SECTION
STA. 11+20.80 TO 13+60.80



IL 6 TANGENT SECTION
STA. 13+60.80 TO 16+51.69



IL 6 TANGENT SECTION
STA. 16+51.69 TO STA. 17+51.69

LEGEND - PROPOSED

- ① 1 1/2" HMA SURFACE CRSE, MIX "D", N50
- ② 1 1/2" POLY HMA SURFACE CRSE, MIX "E", N70
- ③ 9 3/4" PCC PAVEMENT
- ④ 5" AGGREGATE BASE COURSE, TYPE A
- ⑤ 8" AGGREGATE BASE COURSE, TYPE A
- ⑥ 3/4" POLYMERIZED LEVELING BINDER
- ⑦ 1" POLYMERIZED LEVELING BINDER
- ⑧ HMA BINDER CRSE, IL -19.0, N50
- ⑨ HMA BINDER CRSE, IL -19.0, N70
- ⑩ SUBBASE GRANULAR MATERIAL, TYPE B, 4"
- ⑪ PCC SHOULDERS, 9 3/4"
- ⑫ HOT-MIX ASPHALT SHOULDER 8"
- ⑬ AGGREGATE SHOULDERS, TYPE B 6"
- ⑭ CONCRETE MEDIAN
- ⑮ CONCRETE MEDIAN SURFACE, 4"
- ⑯ CCC & G, TYPE B-6.12
- ⑰ 4" PIPE UNDERDRAIN
- ⑱ 2" HMA SURFACE REMOVAL
- ⑲ # 5 TIE BAR
- ⑳ COURSE AGGREGATE FILL

LEGEND - EXISTING

- Ⓐ 10" STANDARD REINFORCED PCC PAVEMENT
- Ⓑ 4" STABILIZED SUB-BASE (BAM)
- Ⓒ 10" STABILIZED SHOULDERS (BAM)
- Ⓓ AGGREGATE SHOULDER TYPE B
- Ⓔ 4" PIPE UNDERDRAIN
- Ⓕ CCC & G, TYPE B-6.12
- Ⓖ CONCRETE MEDIAN TYPE S.B.-6.12
- Ⓗ VAR. DEPTH HMA OVERLAY
- Ⓘ CONCRETE OR GRASS MEDIAN
- Ⓝ HMA BINDER COURSE

REVISIONS	
NAME	DATE

ILLINOIS DEPARTMENT OF TRANSPORTATION

PROPOSED RIGID PAVEMENT
IL 6

SCALE: VERT. _____
HORIZ. _____
DATE _____ DRAWN BY _____
CHECKED BY _____

PLOT DATE = 02/17/2007
 PLOT SCALE = 1/8" = 1'-0"
 USER NAME = bvrason