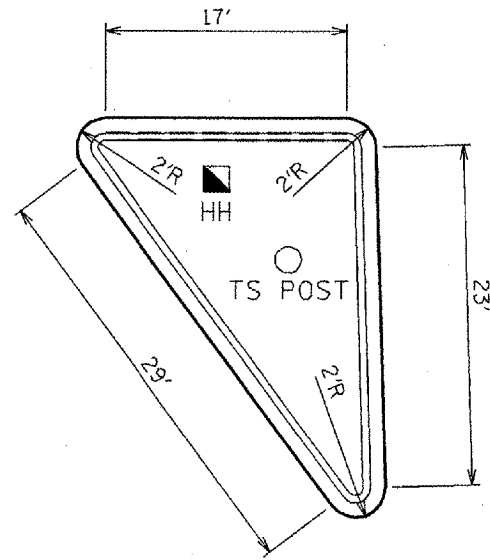
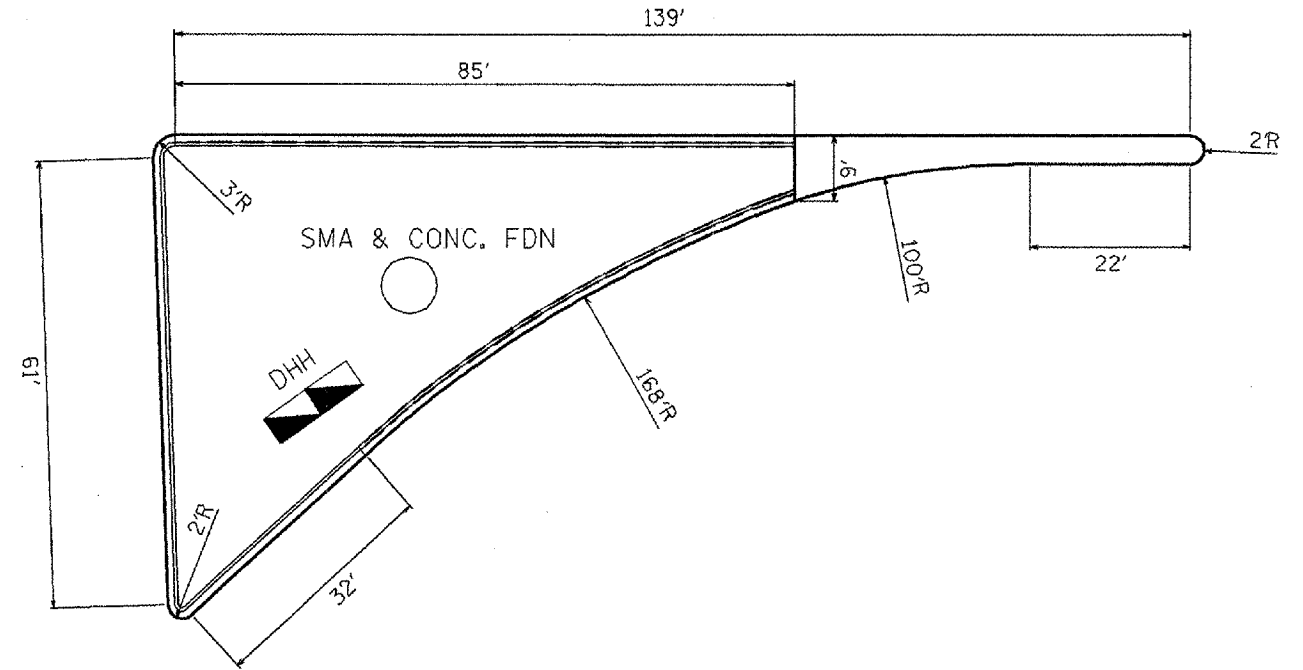


F.A.P. RTE.	SECTION	COUNTY	TOTAL SHEETS	SHEET NO.
318	72-16-11RS	PEORIA	89	34
STA.		TO STA.		
FED. ROAD DIST. NO.		ILLINOIS	FED. AID PROJECT	

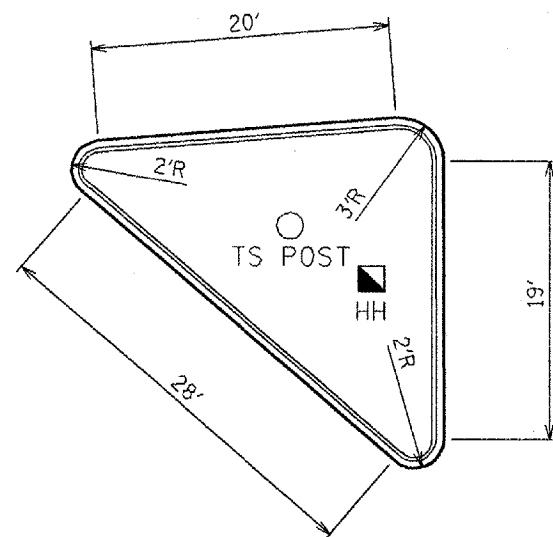
RT. 40' STA. 46+43 TO STA. 46+63 (IL 29)



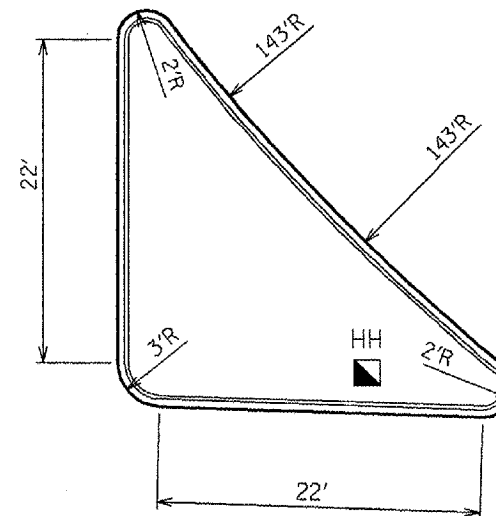
RT. 38' STA. 48+31 TO STA. 49+75 (IL 29)



RT. 41' STA. 5+92.2 TO STA. 6+16.1 (IL 6)



LT. 41' STA. 5+04 TO STA. 5+30.8 (IL 6)



LEGEND

■ HANDHOLE

▣ DOUBLE HANDHOLE

REVISIONS	
NAME	DATE

ILLINOIS DEPARTMENT OF TRANSPORTATION

PROPOSED ISLAND DETAILS

SCALE: VERT. _____
 HORIZ. _____

DATE _____

DRAWN BY _____
 CHECKED BY _____

LOT DATE = 12/17/2007
 FILE NAME = S:\GEN\DRAWING\STANDARD\PLUS\GROUND\NEW\A01\vs Contract\68110\Cover sheet & 610.dgn
 LOT SCALE = 380' = 1" / 32'
 SHEET NO. = 34