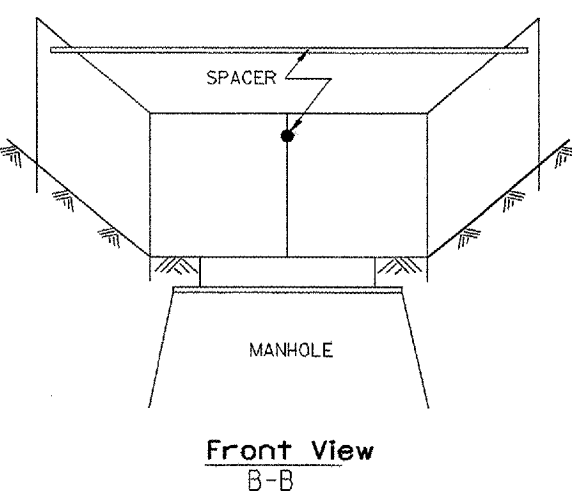
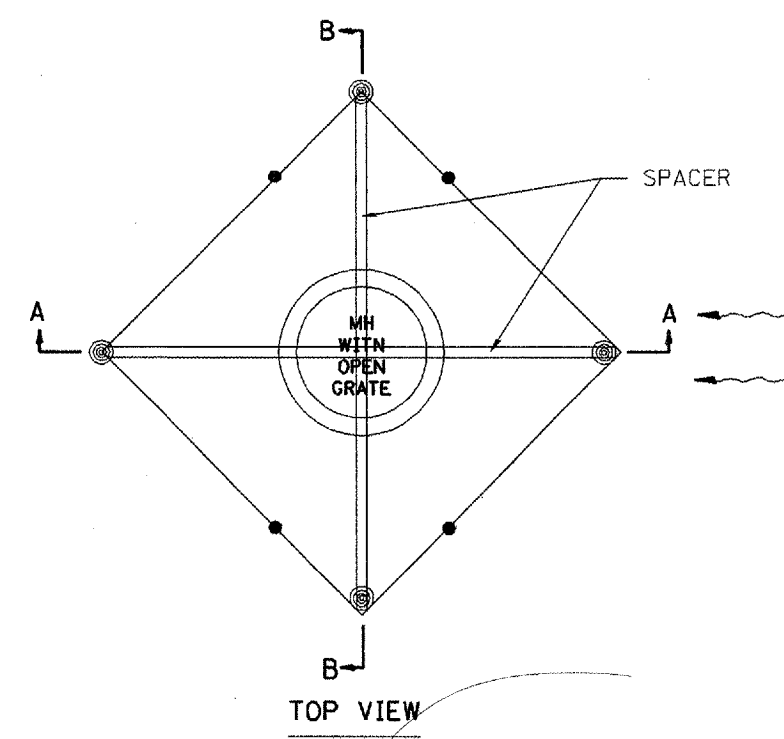
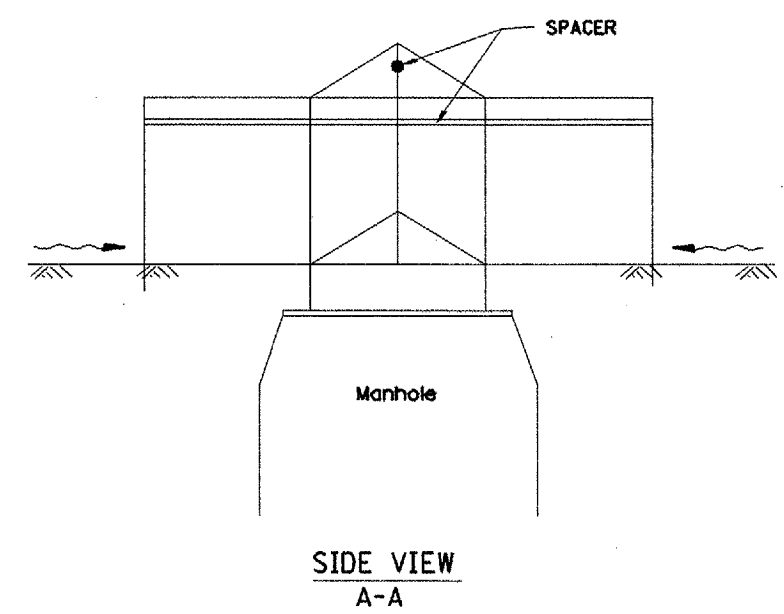
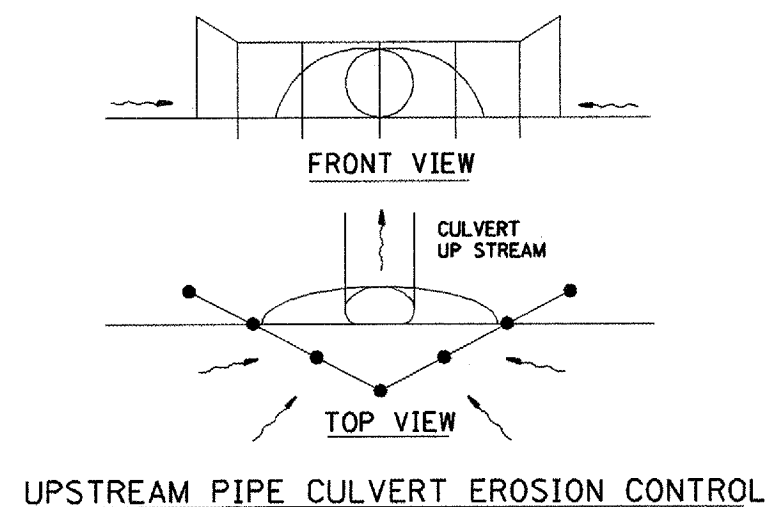
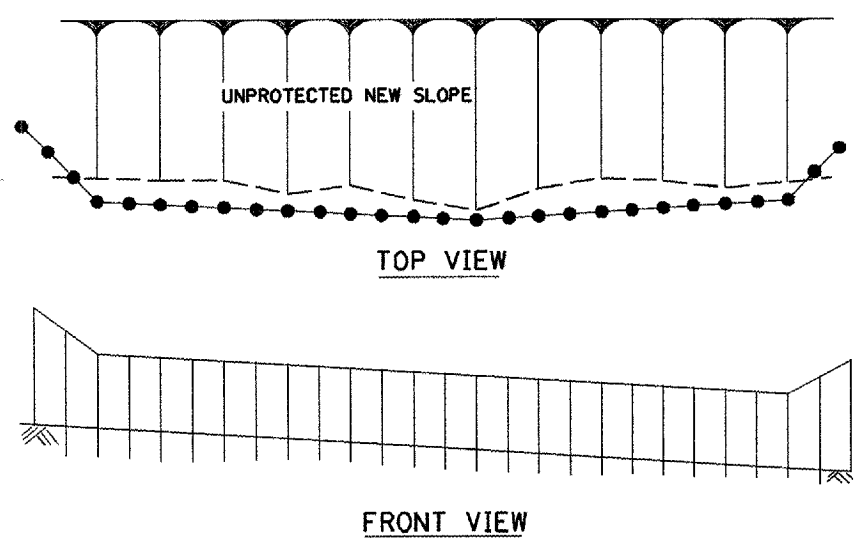


E.A.P. RTE.	SECTION	COUNTY	TOTAL SHEETS	SHEET NO.
318	T2-16-URS	PEORIA	89	46
STA.		TO STA.		
FED. ROAD DIST. NO.	ILLINOIS	FED. AID PROJECT		



EROSION CONTROL AT OPEN GRATE MAN HOLE



GENERAL NOTES:

1. This work shall be performed in accordance with Sections 280 & 1081, of the Standard Specifications.
2. Additional Timber or Metal Post shall be installed, as needed.

All dimensions are in inches (millimeters) unless otherwise noted.

DATE	REVISIONS	BY
1-1-97	RENUM. A-12.05, NEW REVISION BOX	T.P.
3-11-03	ELIMINATED SILT FENCE DITCH CHECK	M.M.A.

ILLINOIS DEPARTMENT OF TRANSPORTATION
SPECIAL DETAIL SHEET
TYPICAL APPLICATION OF SILT FILTER FENCE
 CADD DETAIL 280001-D4
 SCALE: NOT DRAWN TO SCALE
 DRAWN BY CADD
 CHECKED BY

Designer Notes:
 1. Designer to modify this Special Detail sheet, as needed, for inclusion in plans.
 2. Include Highway Standard 280001 "TEMPORARY EROSION CONTROL SYSTEM."