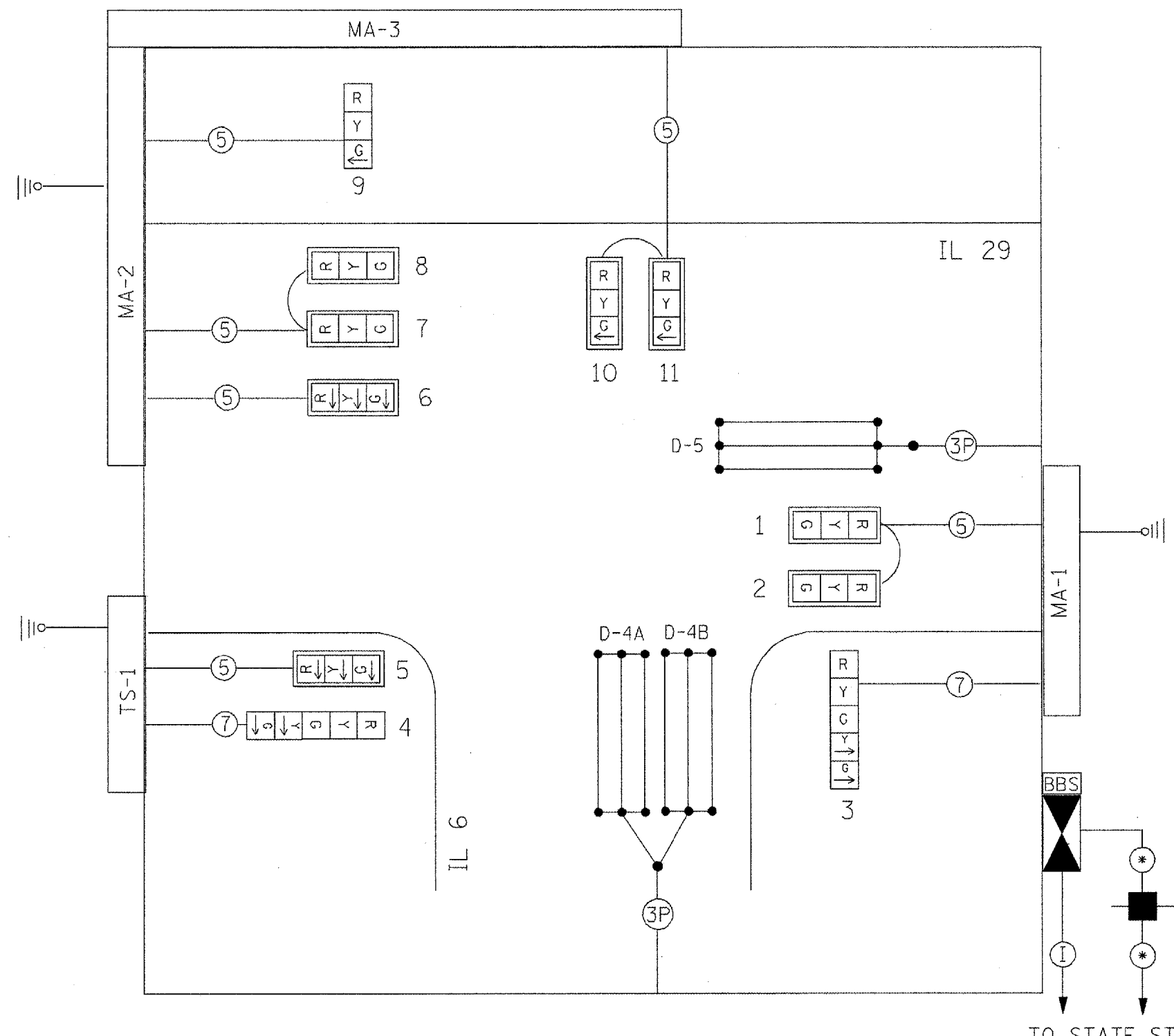


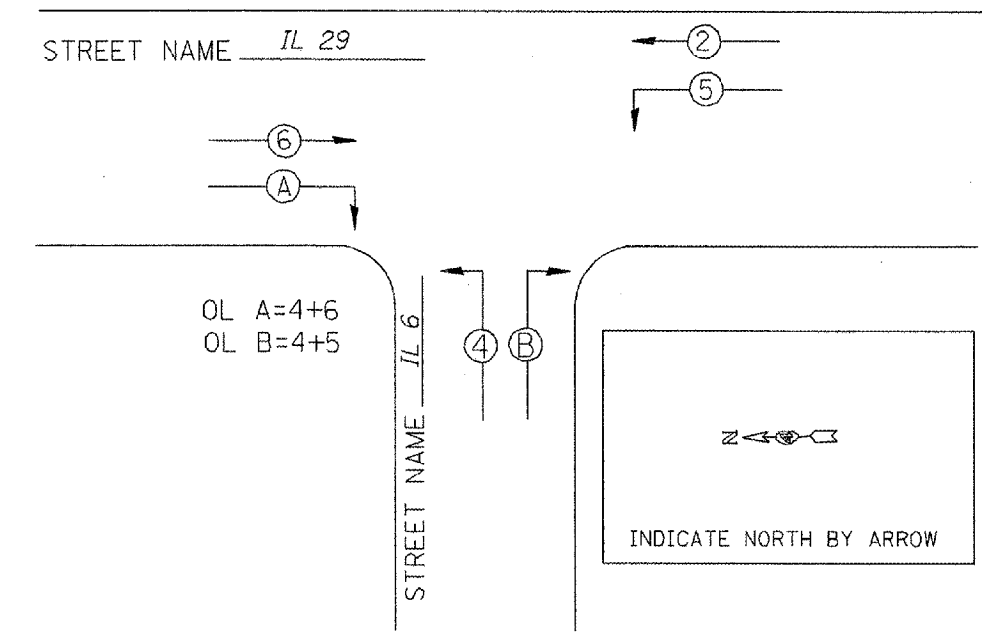
F.A.P. RTE.	SECTION	COUNTY	TOTAL SHEETS	SHEET NO.
31B	72-16-URS	PEORIA	89	60
STA.		TO STA.		
FED. ROAD DIST. NO.	ILLINOIS	FED. AID PROJECT		

PROPOSED CABLE DIAGRAM



PROPOSED PHASE DIAGRAM

NAME OF INTERSECTION IL 6 & IL 29  
 PROPOSED CONTROLLER: FULL ACTUATED CONTROLLER (TS-2), TYPE V CABINET, TS-2 BACKPANEL



**LEGEND**

← \* → VEHICULAR MOVEMENT  
 \* NUMBER REFERS TO ASSOCIATED PHASE

TRAFFIC SIGNALS LEGEND

- |  |                               |  |                               |  |                              |
|--|-------------------------------|--|-------------------------------|--|------------------------------|
|  | PROP. CONTROLLER (SIGNAL)     |  | PROP. 5/C NO. 14 SIGNAL CABLE |  | PROP. SERVICE INSTALLATION   |
|  | PROP. SIGNAL HEAD W/BACKPLATE |  | PROP. 7/C NO. 14 SIGNAL CABLE |  | PROP. INTERCONNECT CABLE     |
|  | PROP. SIGNAL HEAD             |  | PROP. (1/C NO. 6) X 3         |  | PROP. DETECTOR LOOP (6'X50') |

REVISIONS		DATE
NAME		

ILLINOIS DEPARTMENT OF TRANSPORTATION  
 PROPOSED TRAFFIC SIGNAL  
 PHASE AND CABLE DIAGRAMS  
 IL 6 & IL 29  
 PEORIA COUNTY

SCALE: VERT. \_\_\_\_\_  
 HORIZ. \_\_\_\_\_  
 DATE \_\_\_\_\_

TRAFFIC SIGNALS SHEET 7 OF 18

DRAWN BY \_\_\_\_\_  
 CHECKED BY \_\_\_\_\_

PLOT DATE = 12/17/2007  
 PLOT TIME = 12:00:00 PM  
 PLOT SCALE = 82.912 / IN.  
 USER NAME = brounbnr