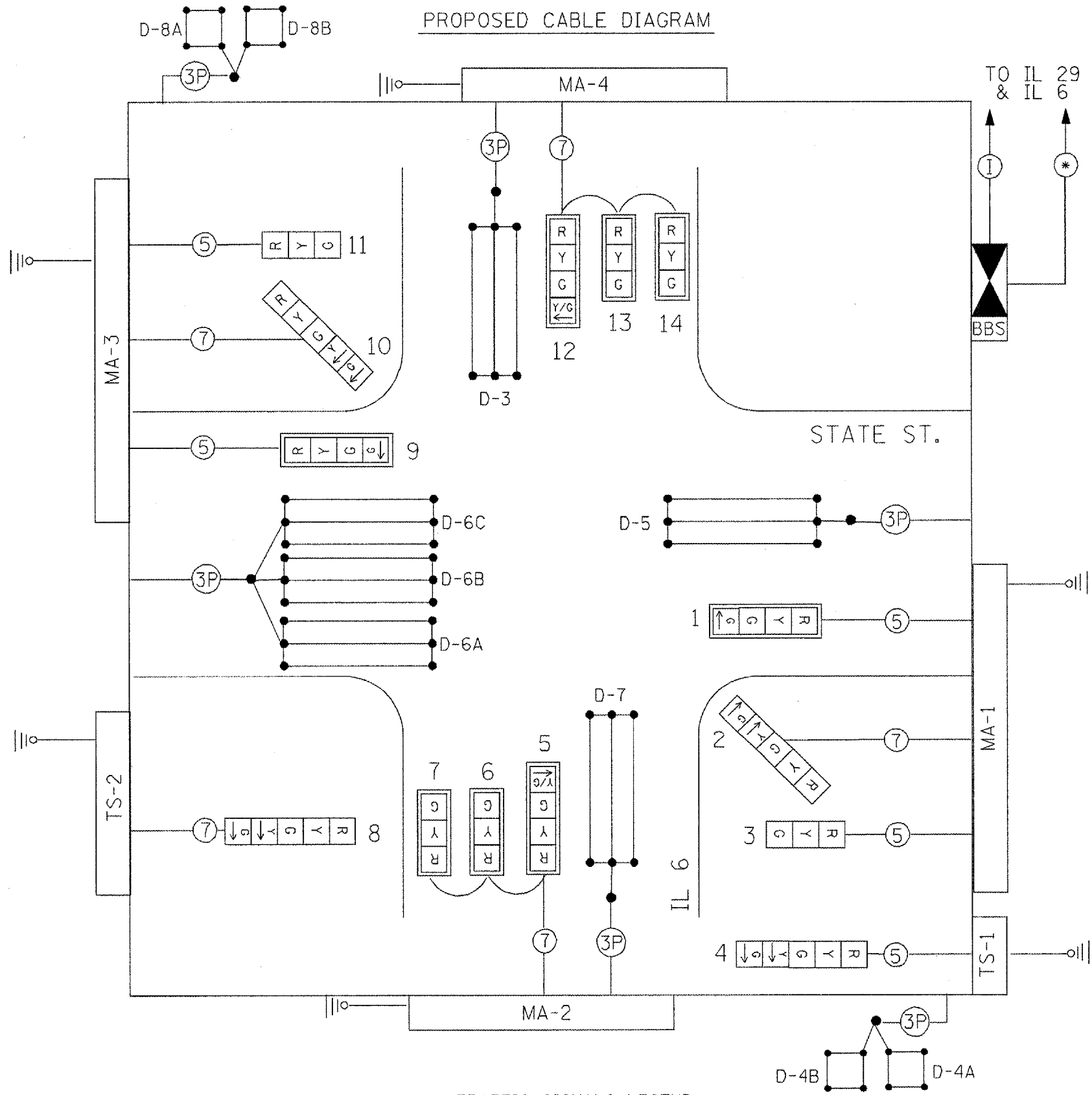


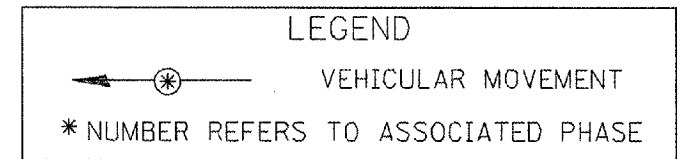
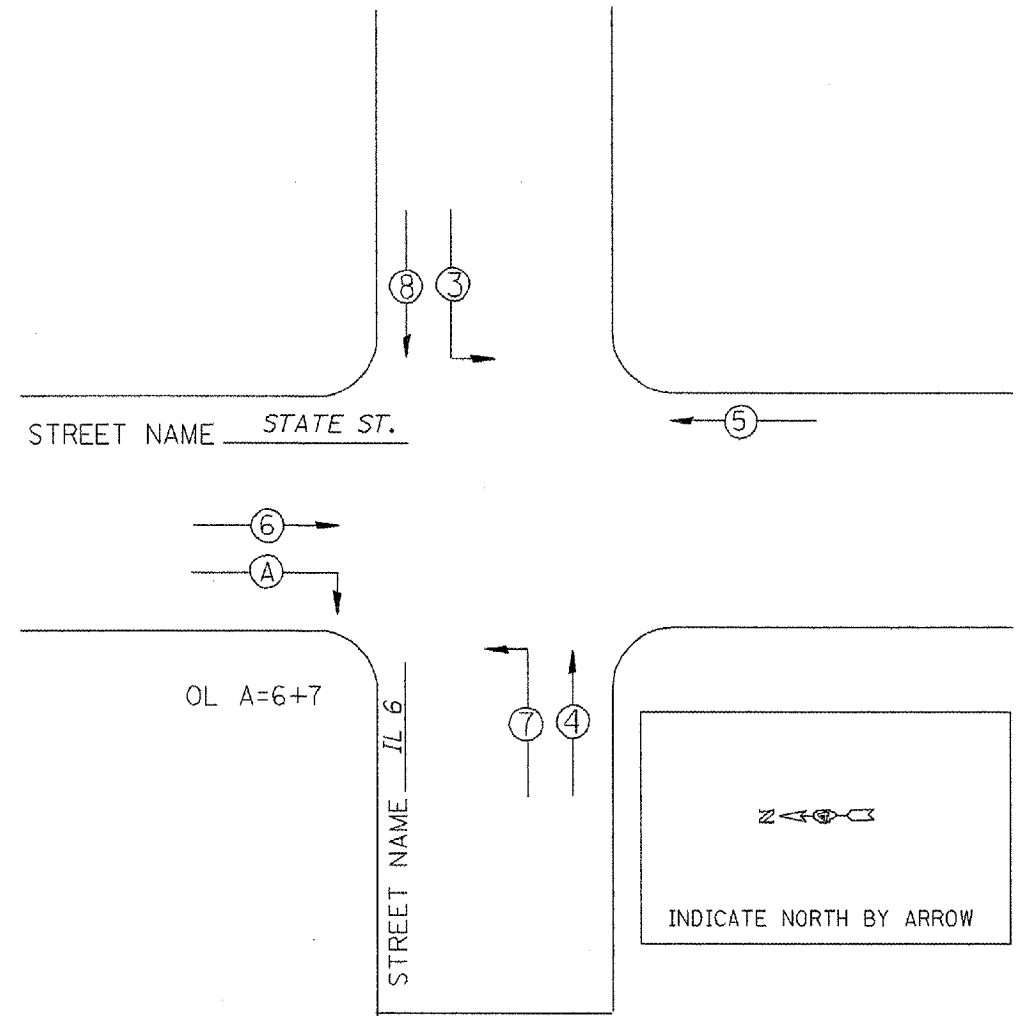
F.A.P. RTE.	SECTION	COUNTY	TOTAL SHEETS	SHEET NO.
318	72-6-11RS	PEORIA	89	67
STA.		TO STA.		
FED. ROAD DIST. NO.	ILLINOIS	FED. AID PROJECT		

PROPOSED CABLE DIAGRAM



PROPOSED PHASE DIAGRAM

NAME OF INTERSECTION IL 6 & STATE ST.
 PROPOSED CONTROLLER: FULL ACTUATED CONTROLLER (TS-2), TYPE IV CABINET, TS-2 BACKPANEL



TRAFFIC SIGNALS LEGEND

- | | | | | | |
|--|-------------------------------|--|-------------------------------|--|------------------------------|
| | PROP. CONTROLLER | | PROP. 5/C NO. 14 SIGNAL CABLE | | PROP. SERVICE INSTALLATION |
| | PROP. SIGNAL HEAD W/BACKPLATE | | PROP. 7/C NO. 14 SIGNAL CABLE | | PROP. INTERCONNECT CABLE |
| | PROP. SIGNAL HEAD | | PROP. (1/C NO. 6) X 3 | | PROP. DETECTOR LOOP (6'X50') |

REVISIONS	
NAME	DATE

ILLINOIS DEPARTMENT OF TRANSPORTATION

PROPOSED TRAFFIC SIGNAL
 PHASE AND CABLE DIAGRAMS
 IL 6 & STATE ST.
 PEORIA COUNTY

SCALE: VERT. _____
 HORIZ. _____
 DATE _____

DRAWN BY _____
 CHECKED BY _____

LIT DATE = 12/17/2007
 LIT SCALE = 1/8" = 1'-0"
 SER NAME = bruceba