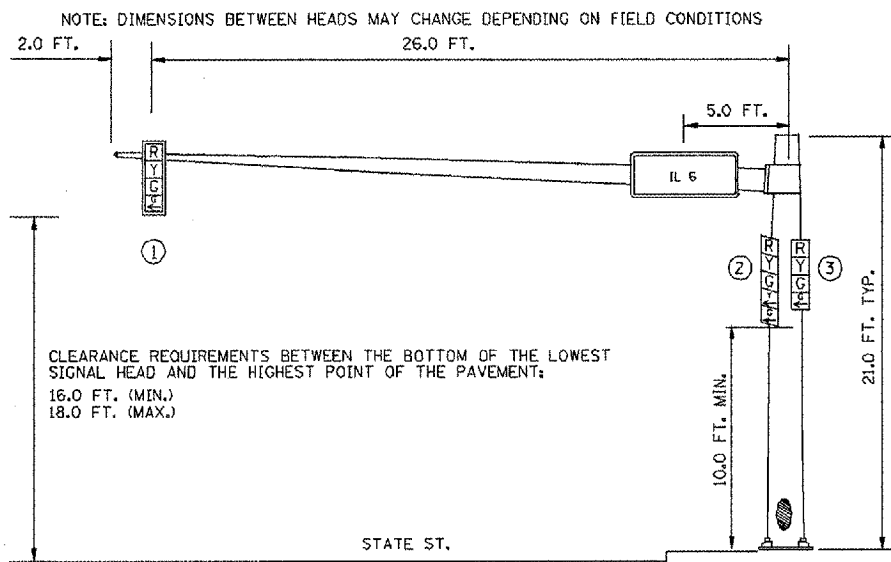
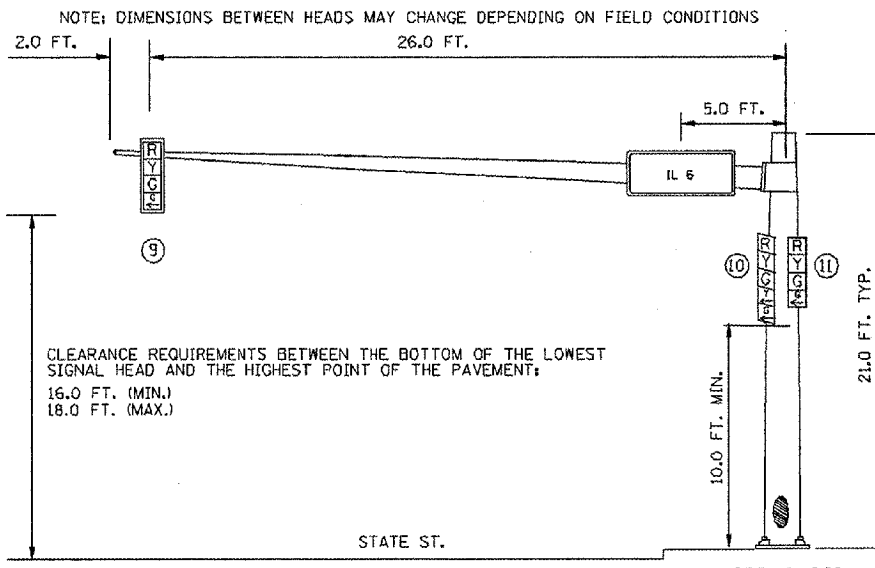


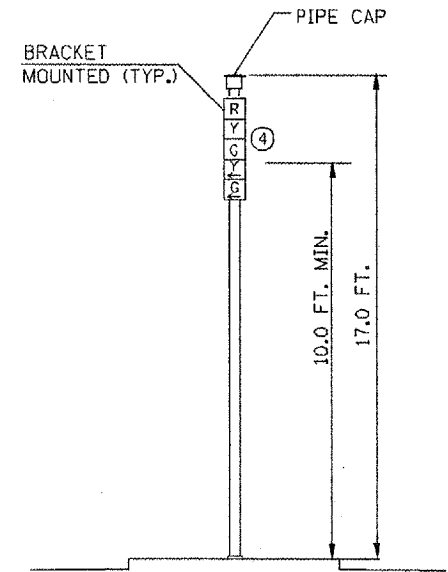
F.A.P. RTE.	SECTION	COUNTY	TOTAL SHEETS	SHEET NO.
318	72-16-URS	PEORIA	99	68
STA.		TO STA.		
FED. ROAD DIST. NO.	ILLINOIS	FED. AID PROJECT		



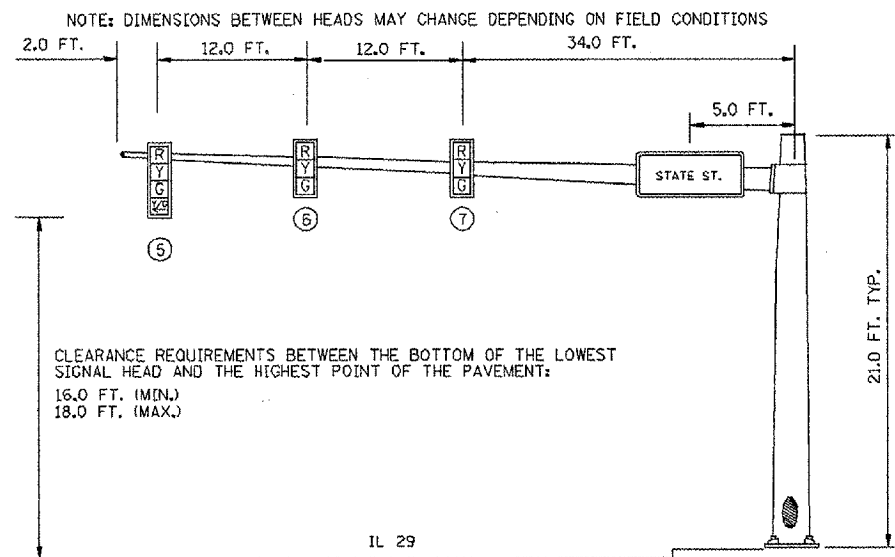
SOUTHBOUND TRAFFIC SIGNAL
SOUTHWEST CORNER OF IL 29 & STATE



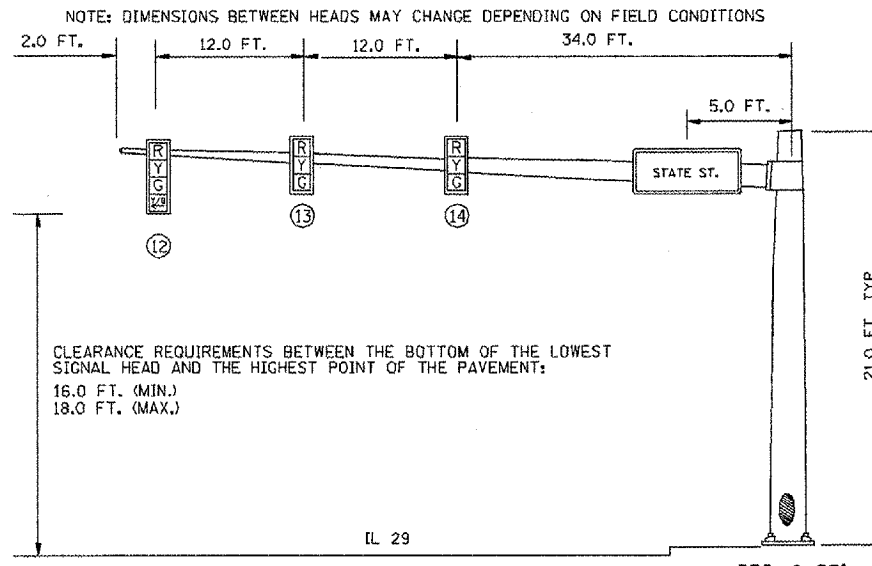
NORTHBOUND TRAFFIC SIGNAL
NORTHEAST CORNER OF IL 29 & STATE



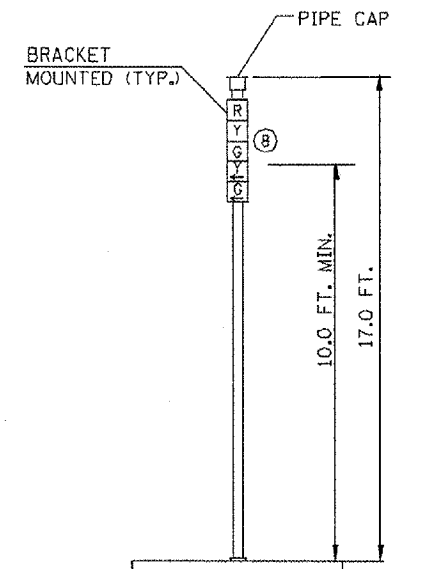
TS-1
TRAFFIC SIGNAL POST
SOUTHWEST CORNER OF IL 29 & STATE



WESTBOUND TRAFFIC SIGNAL
NORTHEAST CORNER OF IL 29 & STATE



EASTBOUND TRAFFIC SIGNAL
SOUTHEAST CORNER OF IL 29 & STATE



TS-2
TRAFFIC SIGNAL POST
NORTHWEST CORNER OF IL 29 & STATE

REVISIONS		ILLINOIS DEPARTMENT OF TRANSPORTATION PROPOSED TRAFFIC SIGNAL MAST ARM AND POST DETAILS IL 6 & STATE ST. PEORIA COUNTY
NAME	DATE	
		SCALE: VERT. _____ HORIZ. _____ DATE _____ DRAWN BY _____ CHECKED BY _____

PLOT DATE = 12/17/2007
 PLOT SCALE = 1/8" = 1'-0"
 USER NAME = brucebm