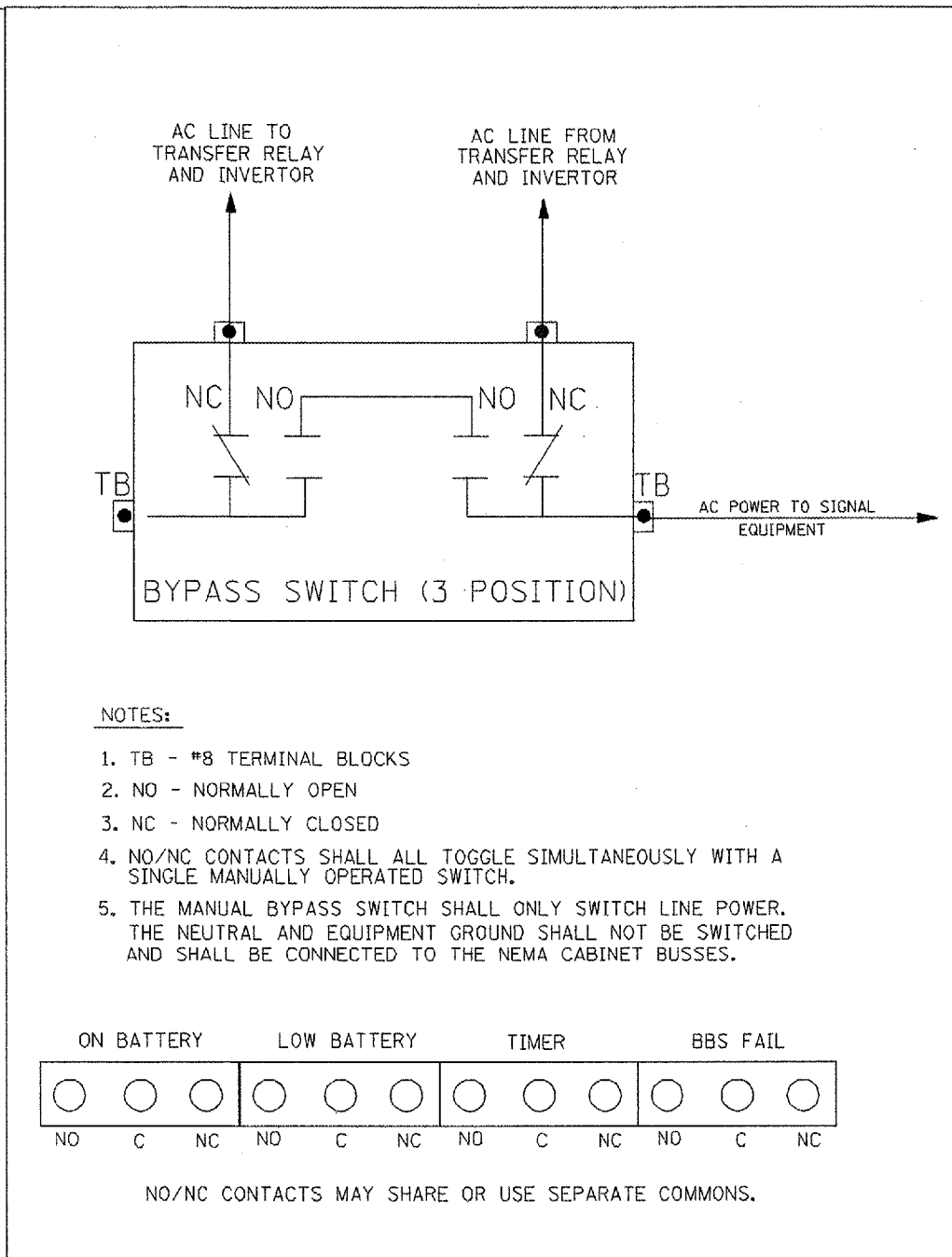
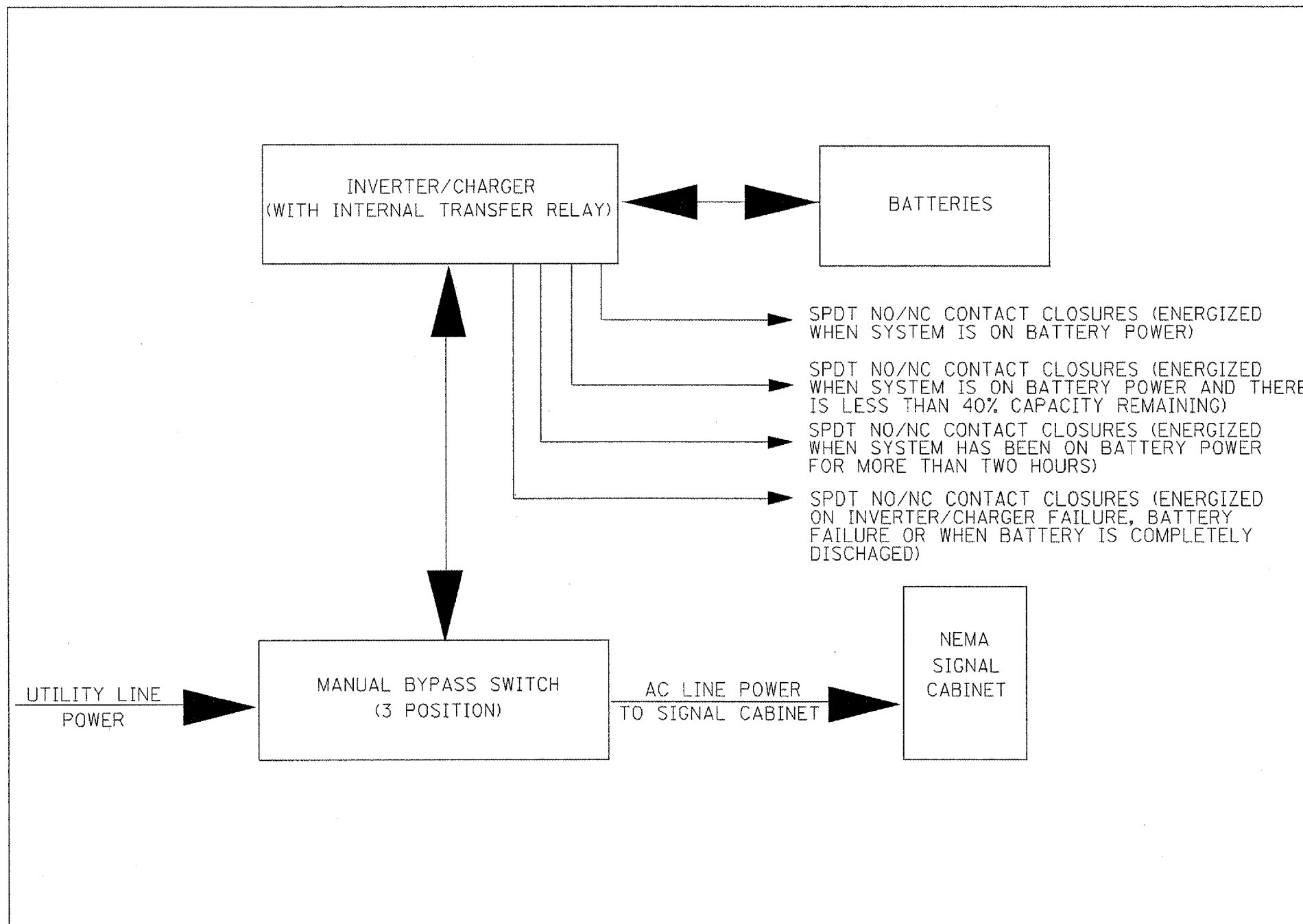


F.A.P. R.T.E.	SECTION	COUNTY	TOTAL SHEETS	SHEET NO.
318	72-6-1RS	PEORIA	89	71
STA.		TO STA.		
FED. ROAD DIST. NO.		ILLINOIS FED. AID PROJECT		



REVISIONS		DATE	DRAWN BY	CHECKED BY
NAME				

PLOT DATE = 12/17/2007  
 PLOT SCALE = 1/2" = 1'-0"  
 USER NAME = bruce