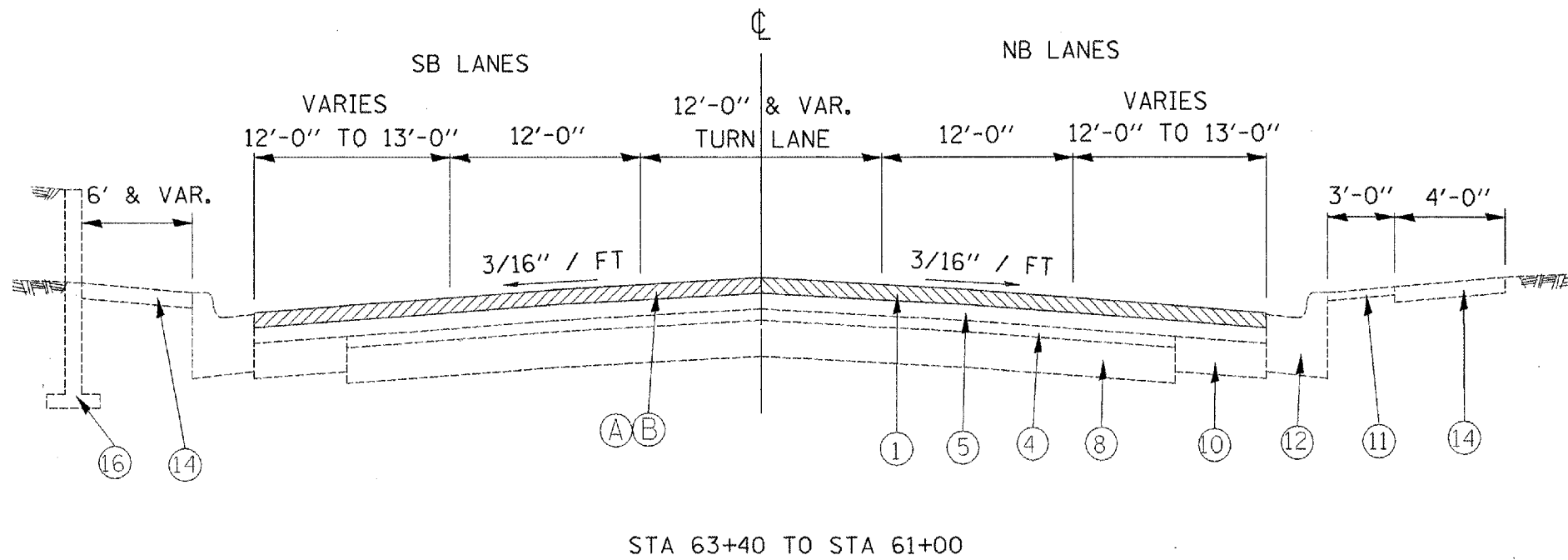


F.A.P. RTE.	SECTION	COUNTY	TOTAL SHEETS	SHEET NO.
317	146-1RS-7	PEORIA	62	8
STA.	TO STA.			
FED. ROAD DIST. NO.	ILLINOIS	FED. AID PROJECT		



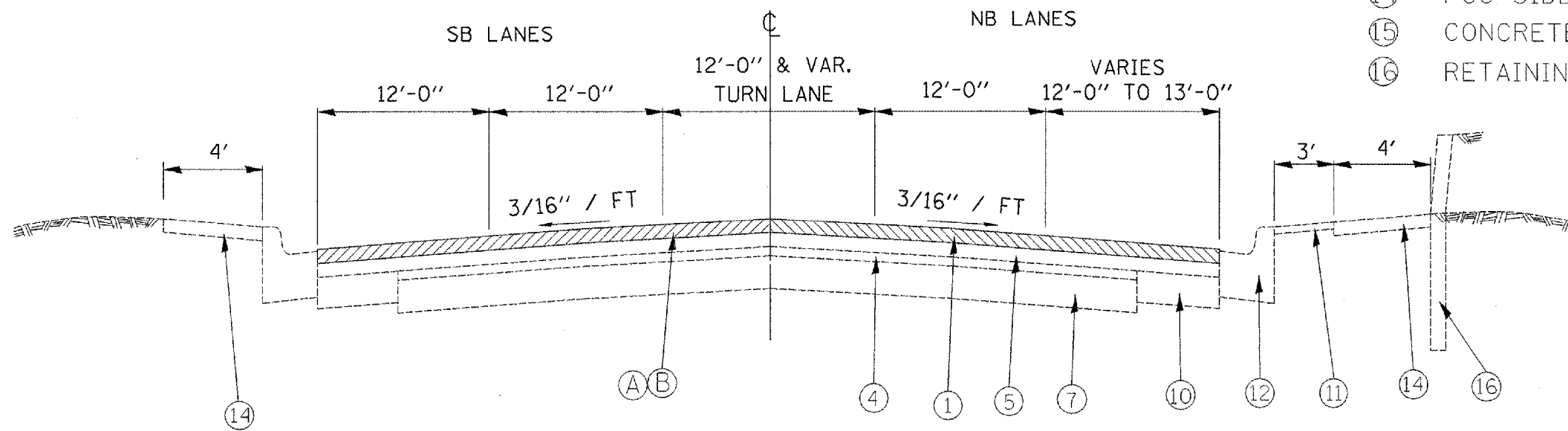
STA 63+40 TO STA 61+00

PROPOSED LEGEND

- (A) HOT MIX ASPHALT SURFACE REMOVAL, 1.75"
- (B) HMA SURFACE COURSE, MIX E, N70, 1.75"

EXISTING LEGEND

- ① BIT CONC SURF CSE, 1.5"
- ② BIT CONC BIND CSE, 3.5"
- ③ LEVELING BINDER (MM), TY 1, 1"
- ④ LEVELING BINDER (MM), TY 2, VAR. DEPTH
- ⑤ BIT OVERLAY 1.5" TO 1.75"
- ⑥ AREA REFLECTIVE CRACK CONTROL, SYSTEM A
- ⑦ PCC PAVEMENT 8"
- ⑧ PCC PAVEMENT 10"
- ⑨ PCC BASE COURSE 8"
- ⑩ PCC BASE COURSE 9"
- ⑪ INCIDENTAL BITUMINOUS SURFACE 2"
- ⑫ CCC&G TYPE B-6.12
- ⑬ CCC&G TYPE B-6.24
- ⑭ PCC SIDEWALK 4"
- ⑮ CONCRETE MEDIAN
- ⑯ RETAINING WALL, INTERMITTENT LOCATIONS



STA 61+00 TO STA 45+85

REVISIONS	
NAME	DATE

ILLINOIS DEPARTMENT OF TRANSPORTATION

**TYPICAL SECTIONS**

SCALE: VERT. DATE  
HORIZ.

DRAWN BY  
CHECKED BY

PLOT DATE = 4/26/2007  
 FILE NAME = c:\projects\2007\2007\plan\shs.dgn  
 PLOT SCALE = 1/8" = 1'-0"  
 USER NAME = c:\users\pj