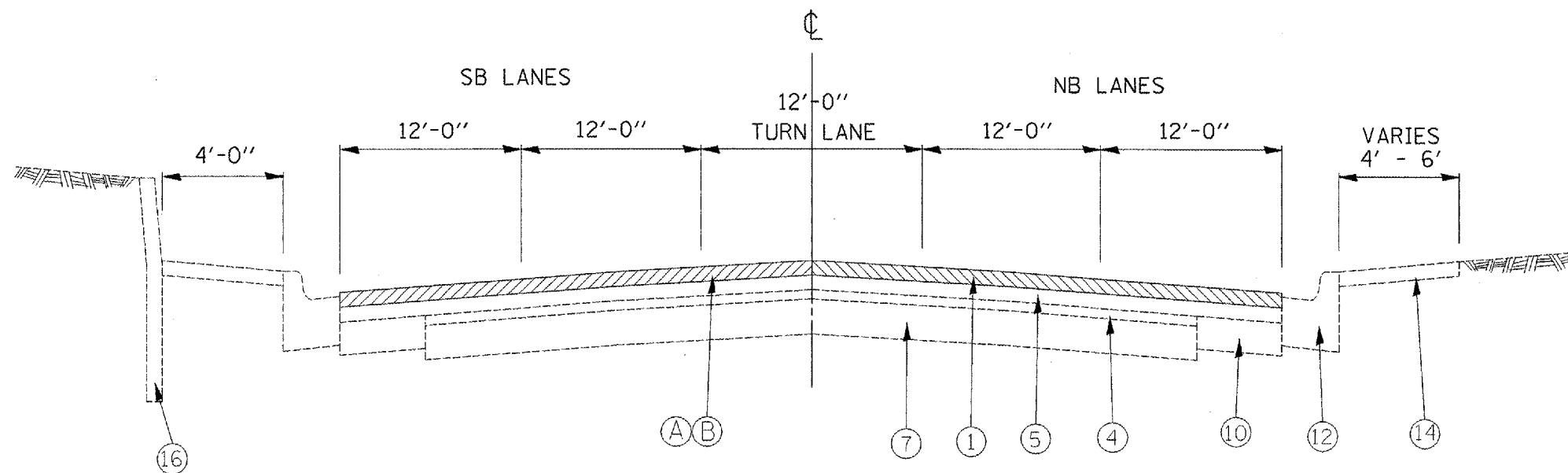


| | | | | |
|---------------------|----------|------------------|--------------|-----------|
| F.A.P. RTE. | SECTION | COUNTY | TOTAL SHEETS | SHEET NO. |
| 317 | 46-1RS-7 | PEORIA | 62 | 9 |
| STA. | | TO STA. | | |
| FED. ROAD DIST. NO. | ILLINOIS | FED. AID PROJECT | | |



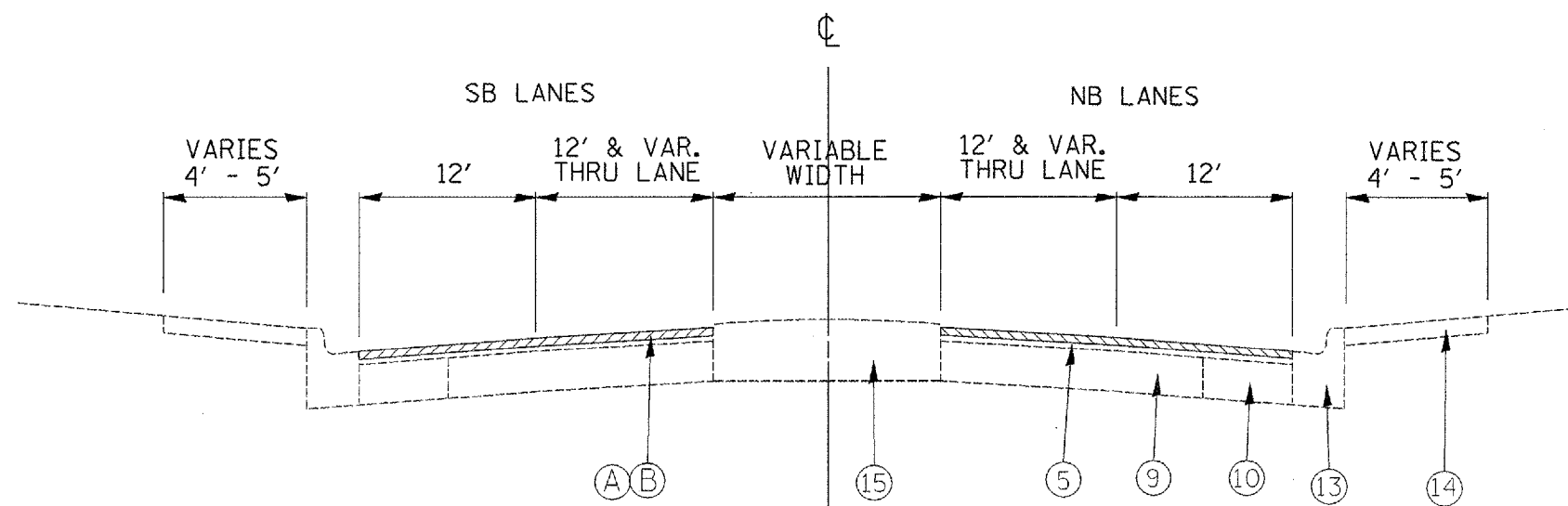
STA 45+85 TO STA 37+55

PROPOSED LEGEND

- Ⓐ HOT MIX ASPHALT SURFACE REMOVAL, 1.75"
- Ⓑ HMA SURFACE COURSE, MIX E, N70, 1.75"

EXISTING LEGEND

- ① BIT CONC SURF CSE, 1.5"
- ② BIT CONC BIND CSE, 3.5"
- ③ LEVELING BINDER (MM), TY 1, 1"
- ④ LEVELING BINDER (MM), TY 2, VAR. DEPTH
- ⑤ BIT OVERLAY 1.5" TO 1.75"
- ⑥ AREA REFLECTIVE CRACK CONTROL, SYSTEM A
- ⑦ PCC PAVEMENT 8"
- ⑧ PCC PAVEMENT 10"
- ⑨ PCC BASE COURSE 8"
- ⑩ PCC BASE COURSE 9"
- ⑪ INCIDENTAL BITUMINOUS SURFACE 2"
- ⑫ CCC&G TYPE B-6.12
- ⑬ CCC&G TYPE B-6.24
- ⑭ PCC SIDEWALK 4"
- ⑮ CONCRETE MEDIAN
- ⑯ RETAINING WALL, INTERMITTENT LOCATIONS



STA 37+55 TO STA 36+47.60

PLOT DATE = 4/26/2007
 FILE NAME = c:\projects\surfsurf\plan\shhets.dgn
 PLOT SCALE = 482888 / IN.
 USER NAME = ccorneju

| REVISIONS | |
|-----------|------|
| NAME | DATE |
| | |
| | |
| | |
| | |
| | |
| | |
| | |
| | |
| | |
| | |

ILLINOIS DEPARTMENT OF TRANSPORTATION

TYPICAL SECTIONS

SCALE: VERT. / HORIZ.
DATE

DRAWN BY / CHECKED BY