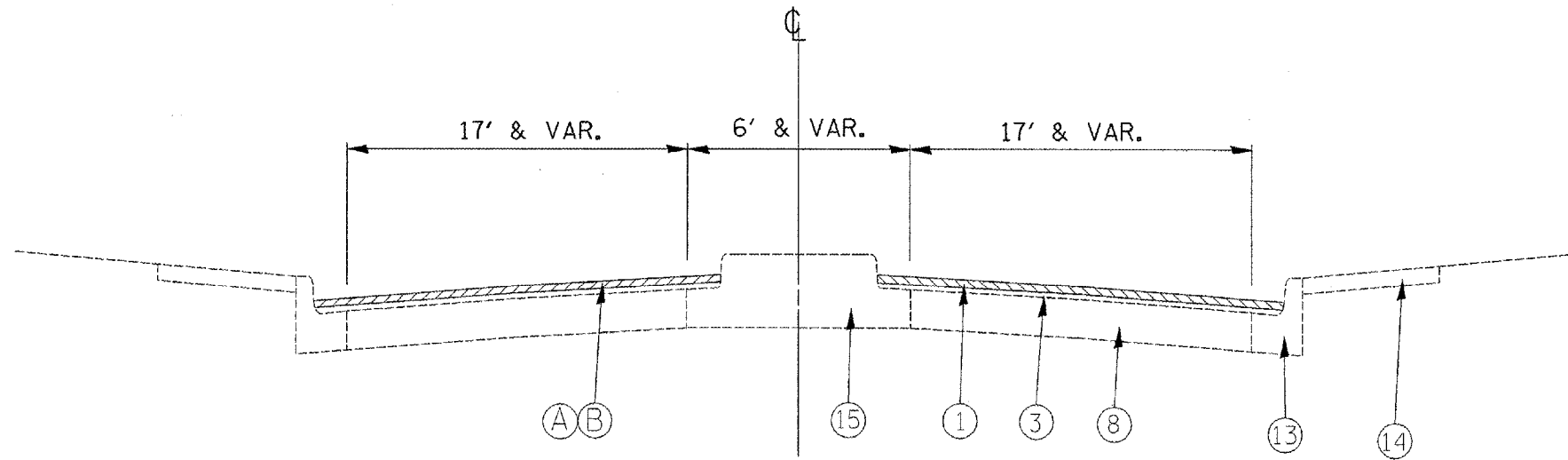


F.A.P. RTE.	SECTION	COUNTY	TOTAL SHEETS	SHEET NO.
317	146-1RS-7	PEORIA	62	11
STA.		TO STA.		
FED. ROAD DIST. NO.		ILLINOIS FED. AID PROJECT		



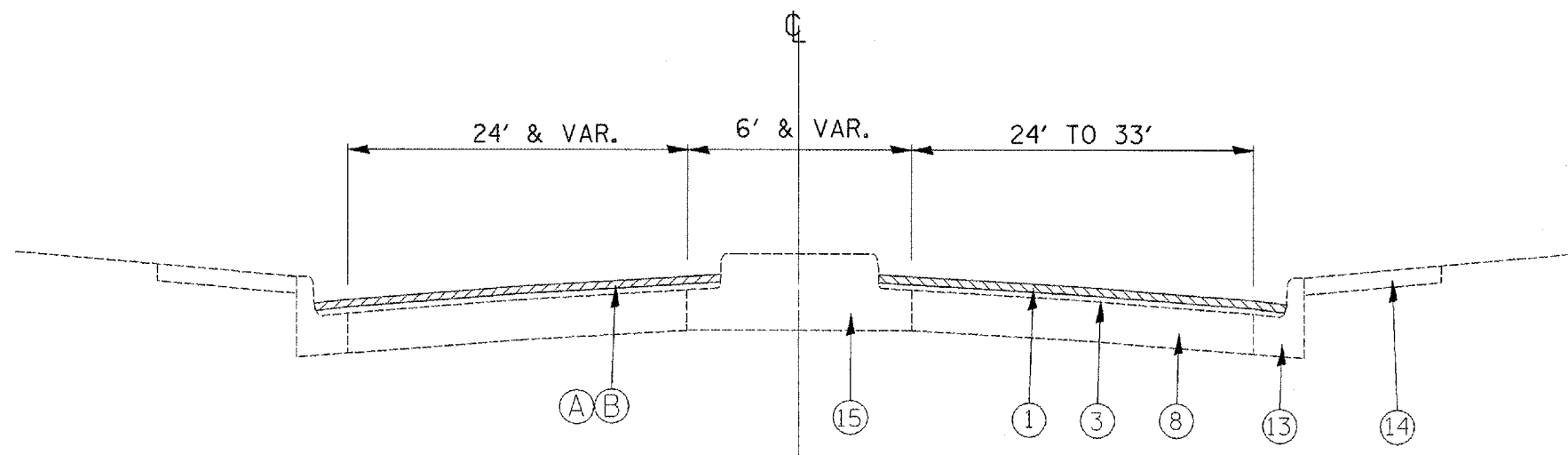
WASHINGTON STREET

PROPOSED LEGEND

- (A) HOT MIX ASPHALT SURFACE REMOVAL, 1.75"
- (B) HMA SURFACE COURSE, MIX E, N70, 1.75"

EXISTING LEGEND

- ① BIT CONC SURF CSE, 1.5"
- ② BIT CONC BIND CSE, 3.5"
- ③ LEVELING BINDER (MM), TY 1, 1"
- ④ LEVELING BINDER (MM), TY 2, VAR. DEPTH
- ⑤ BIT OVERLAY 1.5" TO 1.75"
- ⑥ AREA REFLECTIVE CRACK CONTROL, SYSTEM A
- ⑦ PCC PAVEMENT 8"
- ⑧ PCC PAVEMENT 10"
- ⑨ PCC BASE COURSE 8"
- ⑩ PCC BASE COURSE 9"
- ⑪ INCIDENTAL BITUMINOUS SURFACE 2"
- ⑫ CCC&G TYPE B-6.12
- ⑬ CCC&G TYPE B-6.24
- ⑭ PCC SIDEWALK 4"
- ⑮ CONCRETE MEDIAN
- ⑯ RETAINING WALL, INTERMITTENT LOCATIONS



ADAMS STREET

PLOT DATE = 4/25/2007
 FILE NAME = c:\pco\pco\146-1rs\146-1rs\146-1rs.dgn
 PLOT SCALE = 1/8"=1'-0"
 USER NAME = gowanspj

REVISIONS	
NAME	DATE

ILLINOIS DEPARTMENT OF TRANSPORTATION

TYPICAL SECTIONS

SCALE: VERT. 1"=4'-0"
HORIZ. 1"=40'-0"

DRAWN BY _____
CHECKED BY _____