

F.A.P. RTE.	SECTION	COUNTY	TOTAL SHEETS	SHEET NO.
317	46-1RS-7	PEORIA	62	20
STA.		TO STA.		
FED. ROAD DIST. NO.		ILLINOIS FED. AID PROJECT		



PAVING ENDS

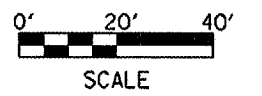
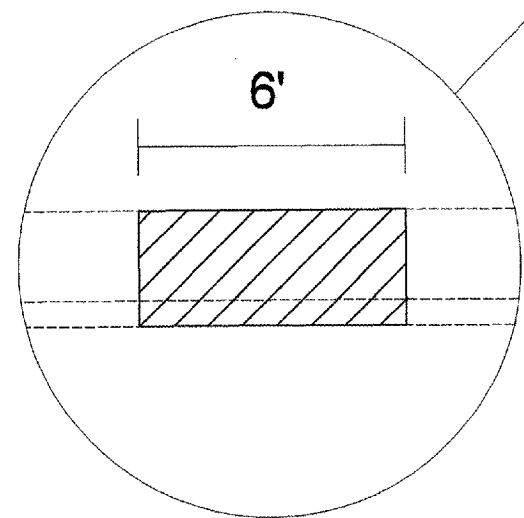
ADAMS ST.

MATCHLINE 73+00

MATCHLINE 68+00

70+00

12'
12'
6'
12'
12'



REMOVAL LEGEND

- BUTT JOINT
- CCC&G

REVISIONS	
NAME	DATE

ILLINOIS DEPARTMENT OF TRANSPORTATION
EXISTING
PLAN SHEETS
STA 73+00 - 68+00

SCALE: VERT. _____
 HORIZ. _____
 DATE _____
 DRAWN BY _____
 CHECKED BY _____

PLOT DATE = 8/3/2007
 FILE NAME = c:\pco\pco13\1324bar\p10mshsstdgn
 PLOT SCALE = 48.0000' / IN.
 USER NAME = oboverp