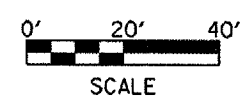
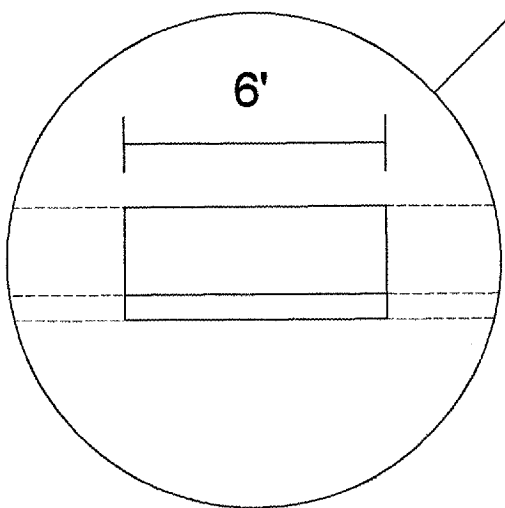
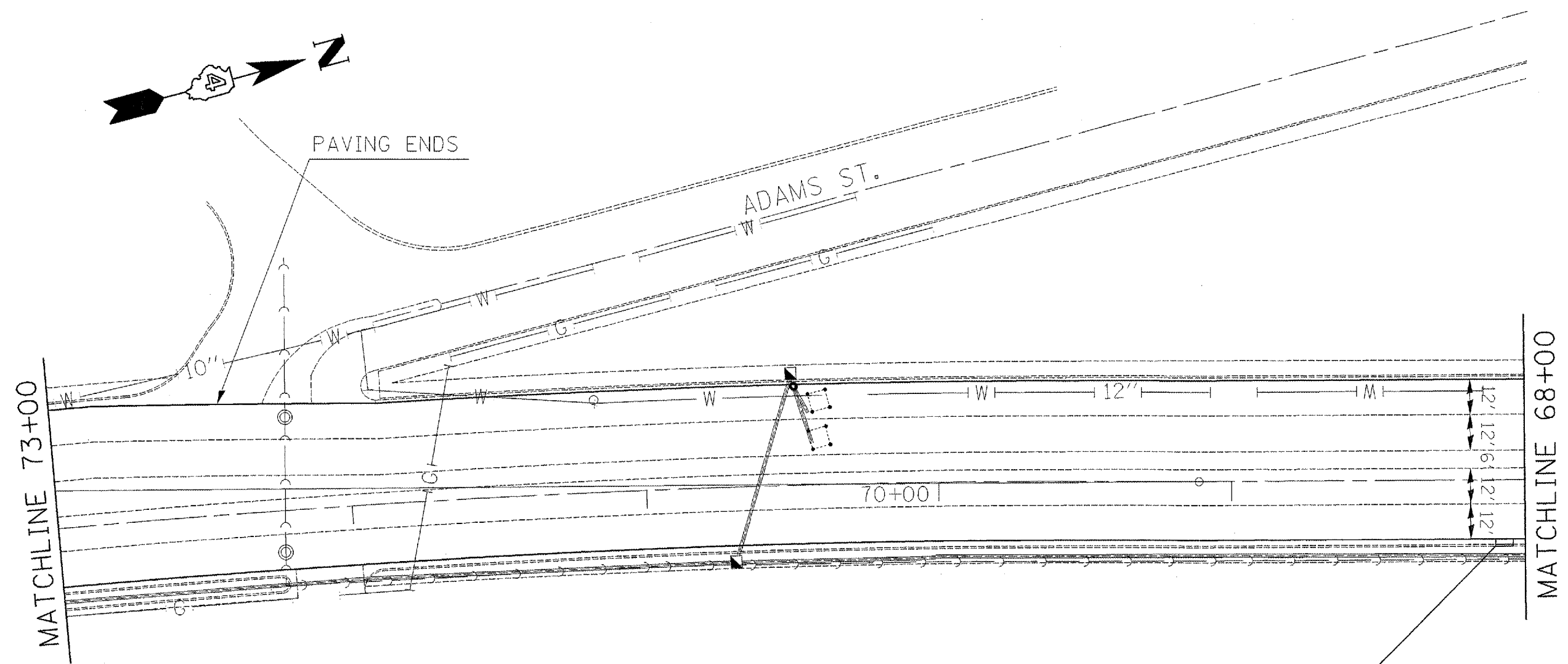


CONTRACT NO. 68469

F.A.P. RTE.	SECTION	COUNTY	TOTAL SHEETS	SHEET NO.
317	(46-1)RS-7	PEORIA	62	32
STA.		TO STA.		
FED. ROAD DIST. NO.		ILLINOIS FED. AID PROJECT		



REVISIONS	
NAME	DATE

ILLINOIS DEPARTMENT OF TRANSPORTATION
**PROPOSED
 PLAN SHEETS**
STA 73+00 - 68+00

SCALE: VERT. _____
 HORIZ. _____

DRAWN BY _____
 CHECKED BY _____

PLOT DATE = 5/3/2007
 FILE NAME = s:\p\projects\2007\2007\plan\sheet.dgn
 PLOT SCALE = 48.0000 / IN.
 USER NAME = conoverpj