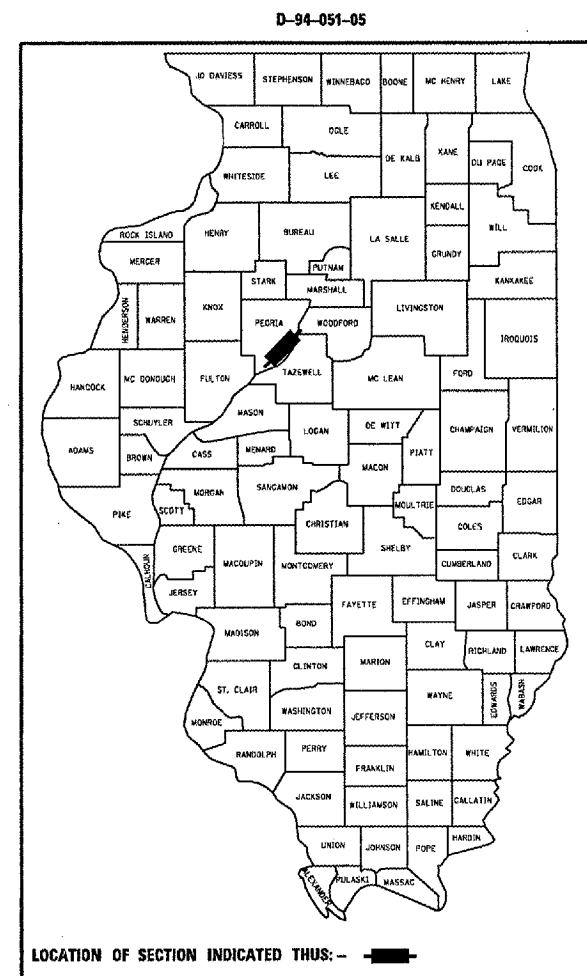


F.A.P. RTE.	SECTION	COUNTY	TOTAL SHEETS	SHEET NO.
317	(46-1)RS-7	PEORIA	62	1

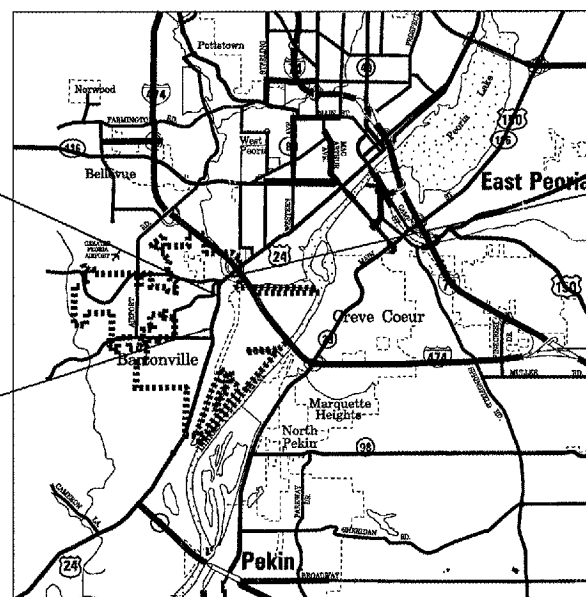
STATE OF ILLINOIS
DEPARTMENT OF TRANSPORTATION
DIVISION OF HIGHWAYS

**PROPOSED
HIGHWAY PLANS**

FAP ROUTE 317 (US 24)
SECTION (46-1)RS-7
PROJECT NHF-0317(074)
PEORIA COUNTY
C-94-057-05



PROJECT ENDS
STA 186+28.99



MAP NOT TO SCALE

STA EQUATION
STA 35+10.53 =
STA 173+98.44

PROJECT BEGINS
STA 77+45

DESCRIPTION OF WORK

This project consists of milling, resurfacing, and striping of US 24 through Bartonville.

REVISÉD 7/16/07

GROSS LENGTH OF PROJECT = 5365.0 FEET = 1.03 MI
NET LENGTH OF PROJECT = 5365.0 FEET = 1.03 MI

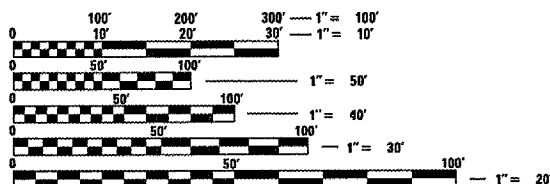
INDEX OF SHEETS

- 1 COVER SHEET, INDEX OF SHEETS, HIGHWAY STANDARDS
- 2 - 3 COMMITMENTS, GENERAL NOTES, PLAN NOTES, UTILITIES
- 4 - 6 SUMMARY OF QUANTITIES
- 7 - 11 TYPICAL SECTIONS
- 12 - 17 SCHEDULES OF QUANTITIES
- 18 TIE POINTS
- 19 - 30 EXISTING PLAN SHEETS
- 31 - 42 PROPOSED PLAN SHEETS
- 43 - 54 PROPOSED STRIPING SHEETS
- 55 EXISTING & PROPOSED DETECTOR LOOPS
- 56 BUTT JOINT AND TEMPORARY RAMP DETAILS
- 57 HOT MIX ASPHALT SURFACE REMOVAL (COLD MILLING)
- 58 PERMANENT SURVEY TIE & PERMANENT SURVEY MARKERS TY. I - TY. II
- ~~59 - 60 STANDARD 701606 (SPECIAL) URBAN LANE CLOSURE, MULTILANE, 2-WAY WITH BIDIRECTIONAL LEFT TURN LANE FOR SPEEDS 45 MPH~~
- 61 - 62 TYPICAL PAVEMENT MARKINGS

HIGHWAY STANDARDS

606001-03 702001-06
667101 780001-01
701602-02 781001-02
701606-04 886001
701701-04 886006

ADT=16000 (2003)
SU%=7.81%
MU%=5.94%



FULL SIZE PLANS HAVE BEEN PREPARED USING STANDARD ENGINEERING SCALES. REDUCED SIZED PLANS WILL NOT CONFORM TO STANDARD SCALES. IN MAKING MEASUREMENTS ON REDUCED PLANS, THE ABOVE SCALES MAY BE USED.

J.U.I.E.
JOINT UTILITY LOCATION INFORMATION FOR EXCAVATION
1-800-892-0123

CONTRACT NO. 68469 CATALOG NO. 033051-000

PROJECT ENGR.: M. ADDIS 309/671-3454

DESIGNER: J. KANTZ/P. CONOVER 309/671-3477

STATE OF ILLINOIS
DEPARTMENT OF TRANSPORTATION
DIVISION OF HIGHWAYS

SUBMITTED MM 3 20 07

DEPUTY DIRECTOR OF HIGHWAYS, REGION ENGINEER
June 29, 2007
Eric E. Harm

INTERIM ENGINEER OF DESIGN AND ENVIRONMENT
June 29, 2007
Milton R. Sees, P.E.

DIRECTOR OF HIGHWAYS, CHIEF ENGINEER

PRINTED BY THE AUTHORITY
OF THE STATE OF ILLINOIS

F.A.P. RTE.	SECTION	COUNTY	TOTAL SHEETS	SHEET NO.
317	146-1RS-7	PEORIA	62	2
STA.		TO STA.		
FED. ROAD DIST. NO.	ILLINOIS	FED. AID PROJECT		

COMMITMENTS

Commitments are not to be altered without the written approval of all parties to which the commitment was made.

There are no commitments on this project.

GENERAL NOTES

PROPERTY OWNER ACCESS REQUIREMENT

Access must be maintained to all existing properties during construction per Article 107.09 unless arrangements are made in writing by the Contractor with the property owners with a copy to the Engineer for short-term closures.

WINTER SHUTDOWN RESTRICTIONS ON COLD MILLED PROJECTS

Prior to winter shutdown the following steps shall be taken:

- All cold milled surfaces shall be overlaid.
- All lanes shall be reopened to traffic.
- Manholes, where applicable, shall be adjusted to the elevation of the binder to ease in plowing snow, and re-adjusted to finished grade in the Spring. The initial manhole adjustment will be paid for at the contract unit price and any re-adjustment, as directed by the Engineer, will be paid for in accordance with Article 109.04.
- Temporary or permanent pavement marking shall be placed as applicable.

PAVEMENT STATION NUMBERS & PLACEMENT

The Contractor shall provide labor and materials required to imprint pavement station numbers in the finished surface of the pavement and/or overlay. The numbers shall be approximately 20 mm (3/4 inch) wide, 125 mm (5 inches) high and 15 mm (5/8 inch) deep.

The pavement station numbers shall be installed as specified herein:

Interval - 100 meters (metric stationing) or 200 feet (English stationing)

Bottom of Numbers - 150 mm (6 inches) from the inside edge of the pavement marking

Location:

- 2, 3, & 5 Lane Pavements - right edge of pavement in direction of increasing stations
- Multi-Lane Divided Roadways - outside edge of pavement in both directions
- Ramps - along baseline edge of pavement

Position - stations shall be placed so they can be read from the adjacent shoulder

Format - Metric (English) pavement stations shall use this format "XX+X00 (XXX)", where X represents the pavement station

This work will not be paid for separately, but will be considered included in the cost of the associated pavement and/or overlay pay items.

HOT MIX ASPHALT MIXTURE REQUIREMENTS

Mixture Use(s):	Surface Course
RAP % (Max)**:	0%
AC/PG:	SBS70-22
Design Air Voids:	4.2% @ N=70
Mixture Composition: (Gradation Mixture)	IL 9.5 or IL 12.5
Friction Aggregate	Mixture E

**If the RAP option is selected, the asphalt cement grade may need to be adjusted; this will be determined by the Engineer.

PAVING SURFACE COURSE

Continuous paving operations on the main roadway shall be maintained at all times during the construction of the hot-mix asphalt surface. No interruptions for side roads, entrances, turn lanes, etc. will be allowed.

PLOT DATE = 5/7/2007
 PLOT SCALE = 1/8" = 1'-0"
 USER NAME = gongwerp

REVISIONS	
NAME	DATE

ILLINOIS DEPARTMENT OF TRANSPORTATION
COMMITMENTS, GENERAL NOTES, & PLAN NOTES

SCALE: VERT. DATE
 HORIZ.

DRAWN BY
 CHECKED BY

F.A.P. RTE.	SECTION	COUNTY	TOTAL SHEETS	SHEET NO.
317	446-1RS-7	PEORIA	62	3
STA.		TO STA.		
FED. ROAD DIST. NO.		ILLINOIS FED. AID PROJECT		

ENVIRONMENTAL REVIEWS

Prior to the use of any proposed borrow areas, use areas (temporary access roads, detours, run-arounds, etc) and/or waste areas, the Contractor shall file the required environmental resource request surveys according to Section 107.22 of the Standard Specifications. These surveys are required in order for the Department to conduct cultural and biological resource surveys for the proposed site.

Prior to any waste materials being removed from the construction site the required environmental resource surveys will need to be obtained and filed by the Contractor. Excess waste products removed from the construction site shall be disposed of as required in Section 202.03 of the Standard Specifications.

Any protruding metal bars shall be removed prior to the disposal of broken concrete at approved disposal sites.

The required environmental resource documentation shall include the following:

- * BDE Form 2289 (Environmental Survey Request)
- * A location map showing the size limits and location of the use area
- * Signed property owner agreement form
- * Color photographs depicting the use area

Please note that a minimum of two weeks shall be allowed for the District to obtain the required environmental clearances.

PLAN NOTES

Construction activities may need to be coordinated with Contract #68480 (deck beam replacement on S.N. 072-0134 carrying US 24 over Kickapoo Creek).

There shall be no lane closures on US 24 or at the Adams Street/Washington Street intersection before 8:00 AM or after 3:00 PM on weekdays. Weekend work will have no time restrictions.

Striping operations may be performed between 8:00 AM and 3:00 PM weekdays, after 6:00 PM weekdays, or any time on the weekend, at the discretion of the Resident Engineer.


STATUS OF UTILITIES TO BE ADJUSTED

Company	Offset	Location	Type of Utility	Type of Conflict	Disposition
Illinois American Water	7' Rt. To 22' Lt.	Sta. 76+92.71 - 186+28.99	6" Water Main	Under Roadway	Relocate

REVISIONS		ILLINOIS DEPARTMENT OF TRANSPORTATION
NAME	DATE	
		COMMITMENTS, GENERAL NOTES, & PLAN NOTES SCALE: VERT. _____ DATE _____ DRAWN BY _____ CHECKED BY _____

SUMMARY OF QUANTITIES

SECTION	COUNTY	TOTAL	SHEET
317 (46-11RS-7)	PEORIA	62	4
STA.	TO STA.		
CON. AND MET. NO. 6	ALIGNED	FILE AND PRINT	

SUMMARY OF QUANTITIES			TOTAL QUANTITIES	CONSTRUCTION TYPE CODE				
CODE NO	ITEM	UNIT		1000 20% STATE 80% FEDERAL				
40600200	BITUMINOUS MATERIALS (PRIME COAT)	TON	17	17				
40600300	AGGREGATE (PRIME COAT)	TON	79	79				
40600982	HOT - MIX ASPHALT SURFACE REMOVAL - BUTT JOINT	SQ YD	1522	1522				
40600990	TEMPORARY RAMP	SQ YD	506	506				
40603565	<i>POLYMERIZED</i> HOT - MIX ASPHALT SURFACE COURSE, MIX "E", N70	TON	3963	3963				
44000156	HOT - MIX ASPHALT SURFACE REMOVAL, 1 3/4"	SQ YD	38802	38802				
44001700	COMBINATION CONCRETE CURB AND GUTTER REMOVAL AND REPLACEMENT	FOOT	22	22				
66700205	PERMANENT SURVEY MARKERS, TYPE I	EACH	5	5				
67100100	MOBILIZATION	L SUM	1	1				
70102625	TRAFFIC CONTROL AND PROTECTION, STANDARD 701606	L SUM	1	1				
70102632	TRAFFIC CONTROL & PROTECTION, STANDARD 701602	L SUM	1	1				
70102635	TRAFFIC CONTROL AND PROTECTION, STANDARD 701701	L SUM	1	1				
	70102665 TRAFFIC CONTROL AND PROTECTION, STANDARD 701606, SPECIAL	L SUM	1	1				
70106800	CHANGEABLE MESSAGE SIGN	CAL MO	2	2				
70300100	SHORT-TERM PAVEMENT MARKING	FOOT	3896	3896				

SUMMARY OF QUANTITIES

F. A. N. NO.	SECTION	COUNTY	TOTAL SHEETS	SHEET NO.
317	(46-1)RS-7	PEORIA	62	5
STA.	TO STA.			
FED. ROAD DIST. NO. 1	ILLINOIS	FED. AID PROJECT		

SUMMARY OF QUANTITIES		UNIT	TOTAL QUANTITIES	CONSTRUCTION TYPE CODE				
CODE NO	ITEM			1000 20% STATE 80% FEDERAL				
70300210	TEMPORARY PAVEMENT MARKING - LETTERS AND SYMBOLS	SQ FT	791	791				
70300220	TEMPORARY PAVEMENT MARKING - LINE 4"	FOOT	12541	12541				
70300240	TEMPORARY PAVEMENT MARKING - LINE 6"	FOOT	2730	2730				
70300250	TEMPORARY PAVEMENT MARKING - LINE 8"	FOOT	2832	2832				
70300260	TEMPORARY PAVEMENT MARKING - LINE 12"	FOOT	160	160				
70300280	TEMPORARY PAVEMENT MARKING - LINE 24"	FOOT	326	326				
70301000	WORK ZONE PAVEMENT MARKING REMOVAL	SQ FT	650	650				
* 78000100	THERMOPLASTIC PAVEMENT MARKING - LETTERS AND SYMBOLS	SQ FT	791	791				
* 78000200	THERMOPLASTIC PAVEMENT MARKING - LINE 4"	FOOT	12541	12541				
* 78000500	THERMOPLASTIC PAVEMENT MARKING - LINE 8"	FOOT	2832	2832				
* 78000600	THERMOPLASTIC PAVEMENT MARKING - LINE 12"	FOOT	160	160				
* 78000650	THERMOPLASTIC PAVEMENT MARKING - LINE 24"	FOOT	326	326				
Z0048665	RAILROAD PROTECTIVE LIABILITY INSURANCE	L SUM	1	1				

* SPECIALTY ITEMS

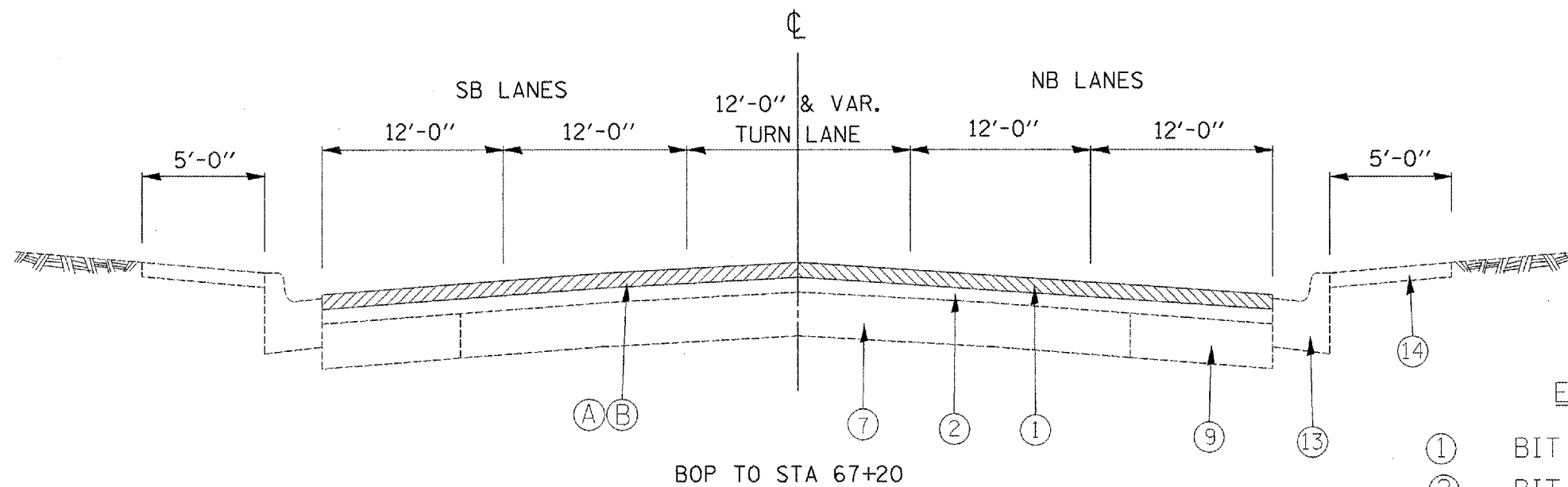
SUMMARY OF QUANTITIES

F. A. A. DIST.	SECTION	COUNTY	TOTAL SHEETS	SHEET NO.
317	46-1RS-7	PEORIA	62	6
STA.		TO STA.		
FED. ROAD DIST. NO. 6		ALIGNMENT	FED. AID PROJECT	

SUMMARY OF QUANTITIES			TOTAL QUANTITIES	CONSTRUCTION TYPE CODE				
CODE NO	ITEM	UNIT		I000 20% STATE 80% FEDERAL				
* 78003130	PREFORMED PLASTIC PAVEMENT MARKING, TYPE B - LINE 6"	FOOT	2730	2730				
* 78100100	RAISED REFLECTIVE PAVEMENT MARKER	EACH	338	338				
78300200	RAISED REFLECTIVE PAVEMENT MARKER REMOVAL	EACH	338	338				
* 88600100	DETECTOR LOOP, TYPE I	FOOT	168	168				

* SPECIALTY ITEMS

F.A.P. RTE.	SECTION	COUNTY	TOTAL SHEETS	SHEET NO.
317	46-1RS-7	PEORIA	52	7
STA.		TO STA.		
FED. ROAD DIST. NO.		ILLINOIS	FED. AID PROJECT	



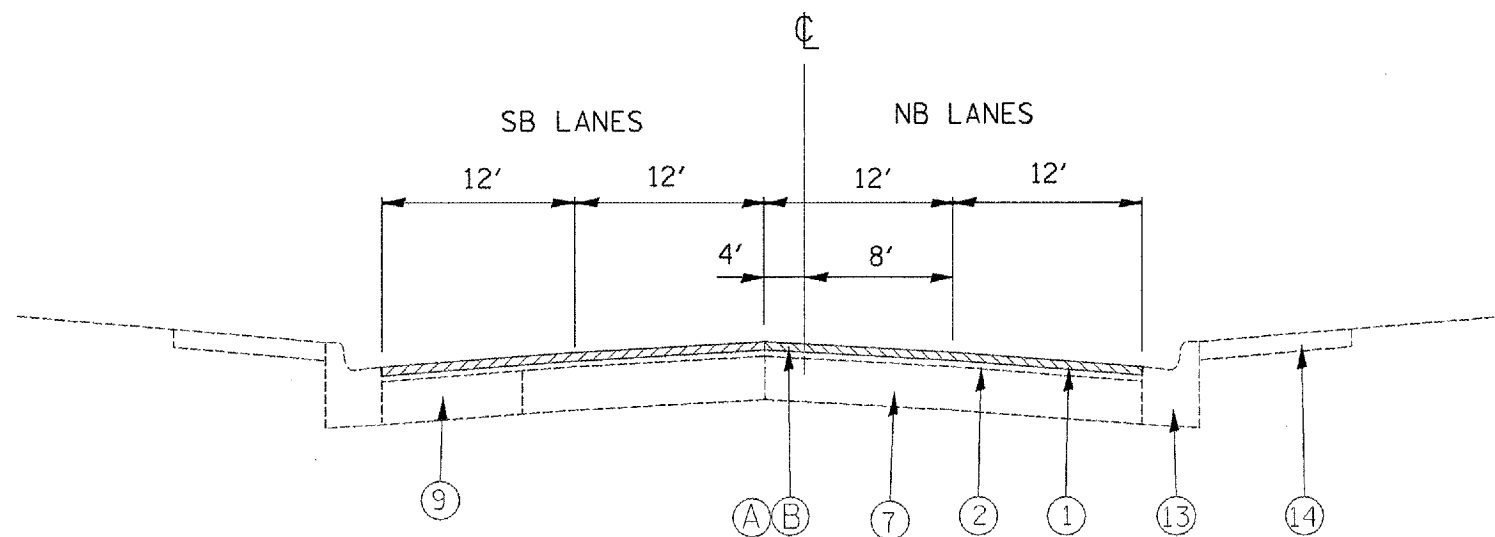
BOP TO STA 67+20

PROPOSED LEGEND

- Ⓐ HOT MIX ASPHALT SURFACE REMOVAL, 1.75"
- Ⓑ HMA SURFACE COURSE, MIX E, N70, 1.75"

EXISTING LEGEND

- ① BIT CONC SURF CSE, 1.5"
- ② BIT CONC BIND CSE, 3.5"
- ③ LEVELING BINDER (MM), TY 1, 1"
- ④ LEVELING BINDER (MM), TY 2, VAR. DEPTH
- ⑤ BIT OVERLAY 1.5" TO 1.75"
- ⑥ AREA REFLECTIVE CRACK CONTROL, SYSTEM A
- ⑦ PCC PAVEMENT 8"
- ⑧ PCC PAVEMENT 10"
- ⑨ PCC BASE COURSE 8"
- ⑩ PCC BASE COURSE 9"
- ⑪ INCIDENTAL BITUMINOUS SURFACE 2"
- ⑫ CCC&G TYPE B-6.12
- ⑬ CCC&G TYPE B-6.24
- ⑭ PCC SIDEWALK 4"
- ⑮ CONCRETE MEDIAN
- ⑯ RETAINING WALL, INTERMITTENT LOCATIONS



STA 67+20 TO STA 63+40

PLOT DATE = 4/26/2007
 FILE NAME = c:\p\proj\68463\2\barst\typ\lenhshets.dgn
 PLOT SCALE = 1/8" = 1' / IN.
 USER NAME = gdonovany

REVISIONS	
NAME	DATE

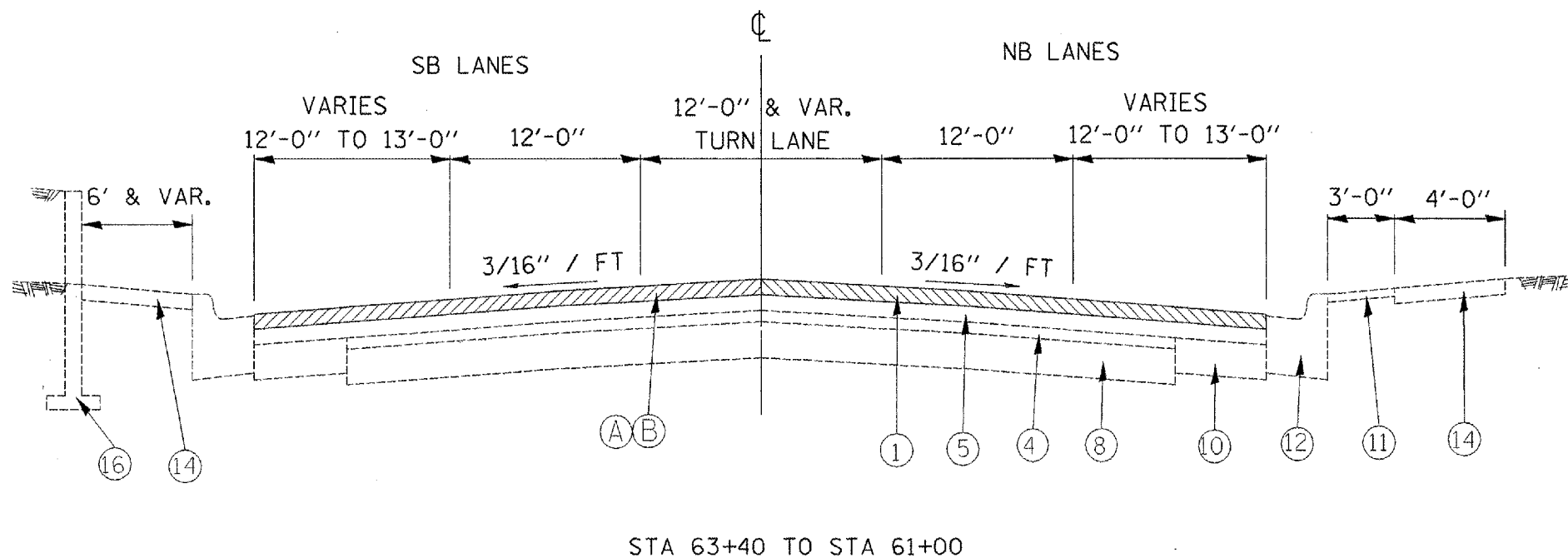
ILLINOIS DEPARTMENT OF TRANSPORTATION

TYPICAL SECTIONS

SCALE: VERT. 1" = 4'
HORIZ. 1" = 40'
DATE

DRAWN BY
CHECKED BY

F.A.P. RTE.	SECTION	COUNTY	TOTAL SHEETS	SHEET NO.
317	146-1RS-7	PEORIA	62	8
STA.	TO STA.			
FED. ROAD DIST. NO.	ILLINOIS	FED. AID PROJECT		



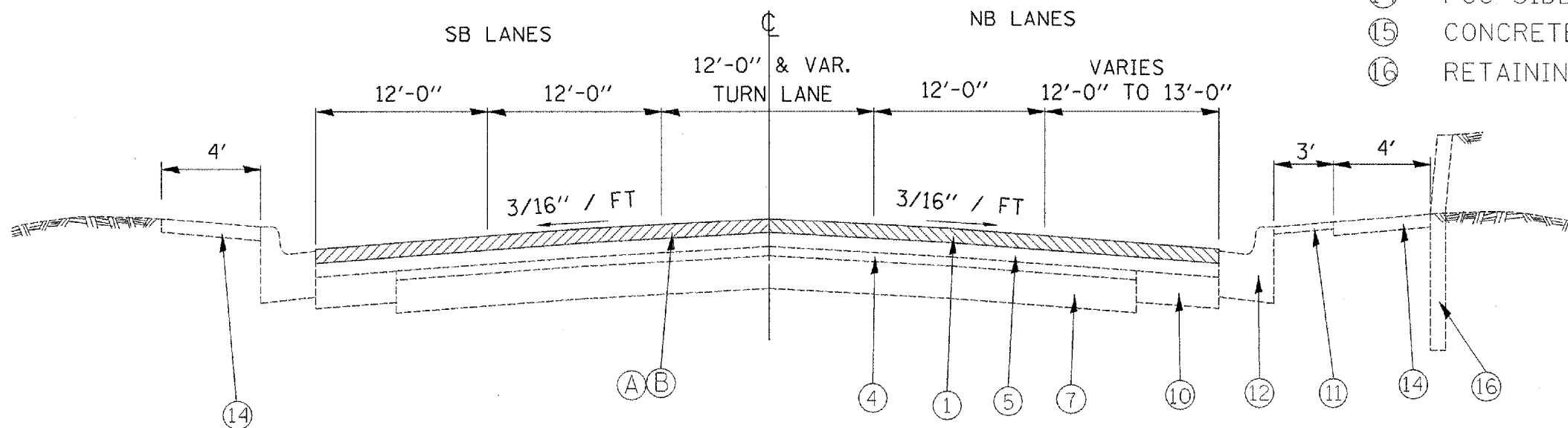
STA 63+40 TO STA 61+00

PROPOSED LEGEND

- (A) HOT MIX ASPHALT SURFACE REMOVAL, 1.75"
- (B) HMA SURFACE COURSE, MIX E, N70, 1.75"

EXISTING LEGEND

- ① BIT CONC SURF CSE, 1.5"
- ② BIT CONC BIND CSE, 3.5"
- ③ LEVELING BINDER (MM), TY 1, 1"
- ④ LEVELING BINDER (MM), TY 2, VAR. DEPTH
- ⑤ BIT OVERLAY 1.5" TO 1.75"
- ⑥ AREA REFLECTIVE CRACK CONTROL, SYSTEM A
- ⑦ PCC PAVEMENT 8"
- ⑧ PCC PAVEMENT 10"
- ⑨ PCC BASE COURSE 8"
- ⑩ PCC BASE COURSE 9"
- ⑪ INCIDENTAL BITUMINOUS SURFACE 2"
- ⑫ CCC&G TYPE B-6.12
- ⑬ CCC&G TYPE B-6.24
- ⑭ PCC SIDEWALK 4"
- ⑮ CONCRETE MEDIAN
- ⑯ RETAINING WALL, INTERMITTENT LOCATIONS



STA 61+00 TO STA 45+85

REVISIONS	
NAME	DATE

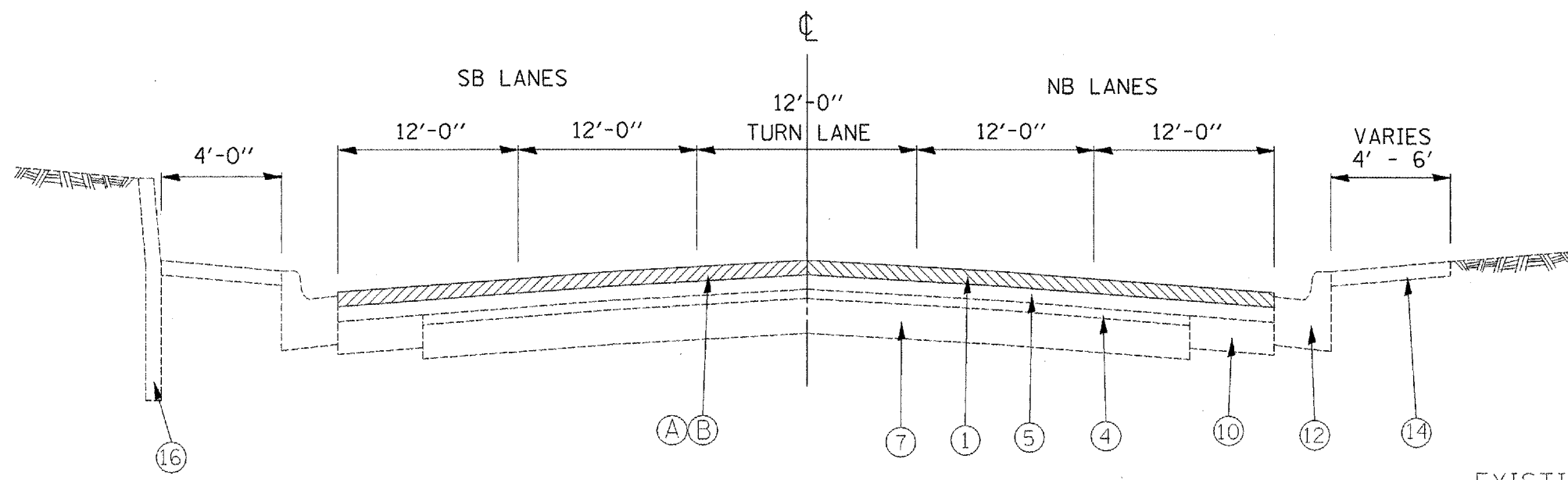
ILLINOIS DEPARTMENT OF TRANSPORTATION

TYPICAL SECTIONS

SCALE: VERT. DATE
HORIZ.

DRAWN BY
CHECKED BY

F.A.P. RTE.	SECTION	COUNTY	TOTAL SHEETS	SHEET NO.
317	46-1RS-7	PEORIA	62	9
STA.		TO STA.		
FED. ROAD DIST. NO.	ILLINOIS	FED. AID PROJECT		



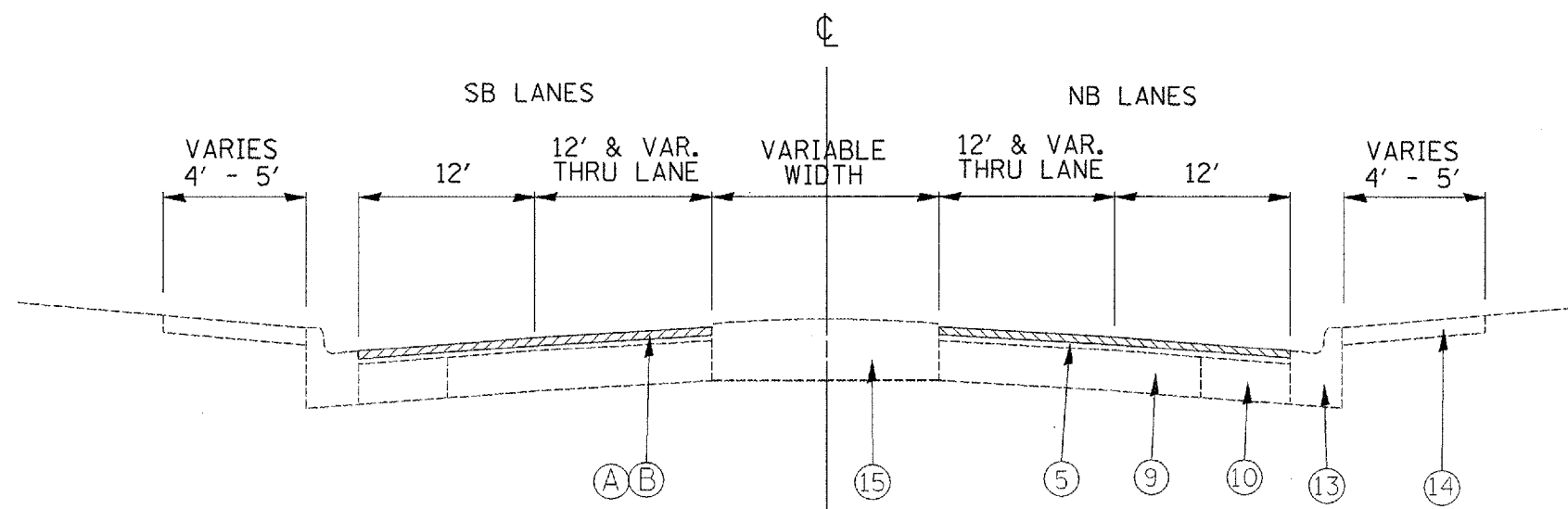
STA 45+85 TO STA 37+55

PROPOSED LEGEND

- Ⓐ HOT MIX ASPHALT SURFACE REMOVAL, 1.75"
- Ⓑ HMA SURFACE COURSE, MIX E, N70, 1.75"

EXISTING LEGEND

- ① BIT CONC SURF CSE, 1.5"
- ② BIT CONC BIND CSE, 3.5"
- ③ LEVELING BINDER (MM), TY 1, 1"
- ④ LEVELING BINDER (MM), TY 2, VAR. DEPTH
- ⑤ BIT OVERLAY 1.5" TO 1.75"
- ⑥ AREA REFLECTIVE CRACK CONTROL, SYSTEM A
- ⑦ PCC PAVEMENT 8"
- ⑧ PCC PAVEMENT 10"
- ⑨ PCC BASE COURSE 8"
- ⑩ PCC BASE COURSE 9"
- ⑪ INCIDENTAL BITUMINOUS SURFACE 2"
- ⑫ CCC&G TYPE B-6.12
- ⑬ CCC&G TYPE B-6.24
- ⑭ PCC SIDEWALK 4"
- ⑮ CONCRETE MEDIAN
- ⑯ RETAINING WALL, INTERMITTENT LOCATIONS



STA 37+55 TO STA 36+47.60

PLOT DATE = 4/26/2007
 FILE NAME = c:\projects\46-1rs-7\plan\shs\shs.dgn
 PLOT SCALE = 482880 / IN.
 USER NAME = ccorneju

REVISIONS	
NAME	DATE

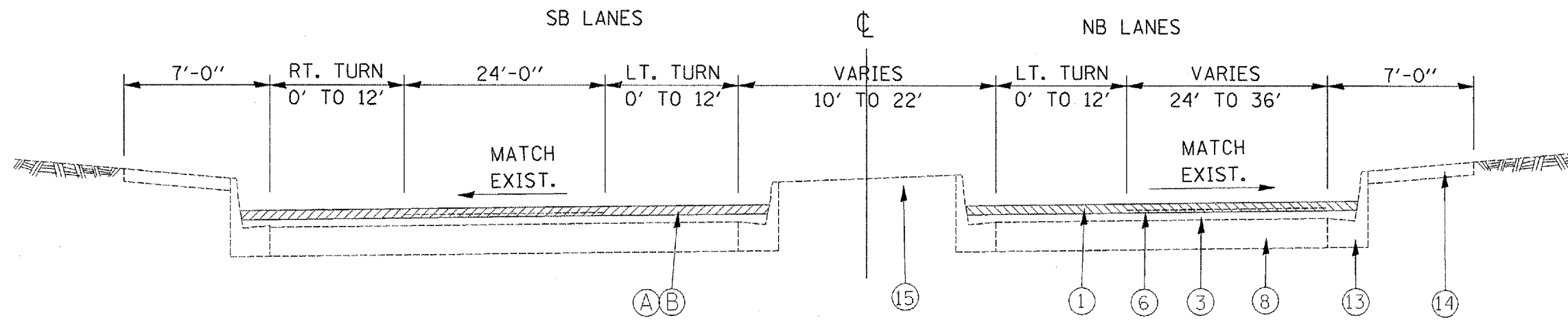
ILLINOIS DEPARTMENT OF TRANSPORTATION

TYPICAL SECTIONS

SCALE: VERT. / HORIZ.
DATE

DRAWN BY / CHECKED BY

F.A.P. RTE.	SECTION	COUNTY	TOTAL SHEETS	SHEET NO.
317	(46-11RS-7)	PEORIA	62	10
STA.		TO STA.		
FED. ROAD DIST. NO.		ILLINOIS FED. AID PROJECT		



STA 172+30 TO EOP

PROPOSED LEGEND

- Ⓐ HOT MIX ASPHALT SURFACE REMOVAL, 1.75"
- Ⓑ HMA SURFACE COURSE, MIX E, N70, 1.75"

EXISTING LEGEND

- ① BIT CONC SURF CSE, 1.5"
- ② BIT CONC BIND CSE, 3.5"
- ③ LEVELING BINDER (MM), TY 1, 1"
- ④ LEVELING BINDER (MM), TY 2, VAR. DEPTH
- ⑤ BIT OVERLAY 1.5" TO 1.75"
- ⑥ AREA REFLECTIVE CRACK CONTROL, SYSTEM A
- ⑦ PCC PAVEMENT 8"
- ⑧ PCC PAVEMENT 10"
- ⑨ PCC BASE COURSE 8"
- ⑩ PCC BASE COURSE 9"
- ⑪ INCIDENTAL BITUMINOUS SURFACE 2"
- ⑫ CCC&G TYPE B-6.12
- ⑬ CCC&G TYPE B-6.24
- ⑭ PCC SIDEWALK 4"
- ⑮ CONCRETE MEDIAN
- ⑯ RETAINING WALL, INTERMITTENT LOCATIONS

PLOT DATE = 4/26/2007
 FILE NAME = c:\projects\11111111\11111111\11111111.dgn
 PLOT SCALE = 1/8" = 1' IN.
 USER NAME = gongovr-pj

REVISIONS	
NAME	DATE

ILLINOIS DEPARTMENT OF TRANSPORTATION

TYPICAL SECTIONS

SCALE: VERT.
DATE: HORIZ.

DRAWN BY
CHECKED BY

F.A.P. RTE.	SECTION	COUNTY	TOTAL SHEETS	SHEET NO.
317	146-1RS-7	PEORIA	62	12
STA.		TO STA.		
FED. ROAD DIST. NO.		ILLINOIS	FED. AID PROJECT	

HMA RESURFACING SCHEDULE

LOCATION	AVE. WIDTH	LENGTH	HMA SURF REM - BUTT JT	HMA SURF REM 1-3/4"	TEMPORARY RAMPS	BIT MAT (PRIME COAT)	AGGREGATE (PRIME COAT)	HMA SURF CSE, MIX E, N70
			SQ YD	SQ YD	SQ YD	TON	TON	TON
STA 77+45 - 77+15 NB & SB	65.6	30	218.5		74.0	0.09	0.6	21.4
STA 77+15 - 76+45 NB & SB	62.3	70		552.9		0.22	1.1	54.2
STA 76+45 - 76+15 NB & SB	60	30		200.0		0.08	0.4	19.6
STA 76+15 - 72+85.60 NB & SB	60	329.4		2196.0		0.88	4.4	215.2
STA 72+85.60 - 71+90.70 NB & SB	57	94.9		601.0		0.24	1.2	58.9
STA 71+90.70 - 67+21.26 NB & SB	54	469.44		2186.6		0.87	4.4	214.3
STA 67+21.26 - 65+21.07 NB & SB	51	200.19		1134.4		0.45	2.3	111.2
STA 65+21.07 - 63+69.73 NB & SB	48	151.34		807.1		0.32	1.6	79.1
STA 63+69.73 - 60+45.93 NB & SB	54	323.8		1942.8		0.78	3.9	190.4
STA 60+45.93 - 39+75 NB & SB	60	2070.93		13806.2		5.52	27.6	1353.0
STA 39+75 - 37+79.88 NB & SB	62	195.12		1344.2		0.54	2.7	131.7
STA 37+79.88 - 36+16.64 NB	28.3	163.24		513.8		0.21	1.0	50.4
STA 36+16.64 - 35+10.53 NB	VAR.	106.11		303.0		0.17	0.9	42.2
STATION EQUATION								
STA 173+93.44 - 179+78.23 NB	VAR.	579.79		2386.8		0.94	4.7	231.4
STA 179+78.23 - 181+11.13 NB	48	132.9		708.8		0.28	1.4	69.5
STA 182+46.79 - 185+98.99 NB	36	352.2		1408.8		0.56	2.8	138.1
STA 185+98.99 - 186+28.99 NB	36	30	120.0		40.0	0.05	0.2	11.8
STA 37+79.88 - 36+64.98 SB	VAR.	114.9		333.2		0.13	0.7	32.7
STA 36+64.98 - 35+39.26 SB	24	125.72		335.3		0.13	0.7	32.9
MEDIAN OPENING								
STA 35+29.26 - 35+10.53 SB	36	18.73		74.9		0.03	0.1	7.3
STATION EQUATION								
STA 173+98.44 - 174+93.88 SB	36	95.44		381.8		0.15	0.8	37.4
STA 174+93.88 - 176+80.95 SB	30	187.07		623.6		0.25	1.2	61.1
STA 176+80.95 - 180+87.51 SB	24	406.56		1084.2		0.43	2.2	106.3
INTERSECTION								
STA 182+43.33 - 183+91.66 SB	36	148.33		593.3		0.24	1.2	58.1
STA 183+91.66 - 185+81.53 SB	30	189.87		632.9		0.25	1.3	62.0
STA 185+81.53 - 185+98.99 SB	24	17.46		46.6		0.02	0.1	4.6
STA 185+98.99 - 186+28.99 SB	24	30	80.0		26.7	0.06	0.3	11.8
SB TURN LANE	12	30	40.0	497.8	13.3	0.20	1.0	48.8
TOTALS			458.5	36087.4	154.0	14.65	71.4	3591.7

HMA APPLICATION RATE = 112 LB/SQ YD/IN
 AGGREGATE (PC) RATE = 4 LB/SQ YD
 BITUMINOUS (PC) RATE = 0.1 GAL/SQ YD

ILLINOIS DEPARTMENT OF TRANSPORTATION

SCHEDULE OF QUANTITIES

SCALE: VERT. DATE: HORIZ.

DRAWN BY: CHECKED BY:

PLT DATE = 4/26/2007
 FILE NAME = c:\p0\project\146-1rs-7\plan\hmasched.dgn
 PLT SCALE = 48.0000 / IN.
 USER NAME = c:\p0\p0j

F.A.P. RTE.	SECTION	COUNTY	TOTAL SHEETS	SHEET NO.
317	(46-1)RS-7	PEORIA	62	13
STA.		TO STA.		
FED. ROAD DIST. NO.		ILLINOIS FED. AID PROJECT		

HMA RESURFACING SCHEDULE

LOCATION	AVE. WIDTH	LENGTH	HMA SURF REM - BUTT JT	HMA SURF REM 1-3/4"	TEMPORARY RAMPS	BIT MAT (PRIME COAT)	AGGREGATE (PRIME COAT)	HMA SURF CSE, MIX E, N70
			SQ YD	SQ YD	SQ YD	TON	TON	TON
EAST INDUSTRIAL	40	5			22.2			
SOUTH ADAMS	59	5			30.6			
ARGENTINA	35	5			19.4			
ROSARIA	50	5			27.8			
WEST PERU	50	5			22.2			
EAST PERU	VAR.	84.3	113.2	356.6	18.9	0.19	0.9	46.0
WEST COLLIER	60	5			22.2			
EAST COLLIER	VAR.	48.5	109.2	95.9	17.8	0.08	0.4	20.1
WEST BRAZIL	VAR.	44	92.2	64.9	15.3	0.06	0.3	15.4
EAST BRAZIL	VAR.	88	91.9	275.4	14.2	0.15	0.7	36.0
WEST BOLIVIA	50	5			13.9			
EAST BOLIVIA	VAR.	48.4	91.0	80.2	15.0	0.07	0.3	16.8
WEST McCLURE	VAR.	53.7	85.3	97.2	14.4	0.07	0.4	17.9
EAST McCLURE	VAR.	45	92.8	64.9	15.3	0.06	0.3	15.5
WEST GARFIELD	35	5			19.4			
EAST CENTER	VAR.	45	104.5	63.4	16.7	0.07	0.3	16.5
ADAMS	VAR.	118	172.0	752.3	28.3	0.37	1.8	90.6
WASHINGTON	VAR.	152.6	111.2	863.3	17.5	0.39	1.9	95.5
TOTALS			1063.3	2714.1	351.1	1.51	7.3	370.3

HMA APPLICATION RATE = 112 LB/SQ YD/IN
 AGGREGATE (PC) RATE = 4 LB/SQ YD
 BITUMINOUS (PC) RATE = 0.1 GAL/SQ YD

LOCATION	FT
TY B612	
RT STA 44+08 - 43+92	16.0
TY B624	
LT STA 68+04 - 68+10	6.0
TOTAL	22.0

LOCATION	LUMP SUM
STANDARD 701602	1
STANDARD 701606	1
STANDARD 701606, SP	1
STANDARD 701701	1

LOCATION	EACH
P.O.T. STA 35+10.53	1
P.O.T. STA 40+08.83	1
P.C. STA 43+32.45	1
P.T. STA 52+40.19	1
P.O.T. STA 61+78.83	1
TOTAL	5

LOCATION	CAL MO
PROJECT LIMITS	2
TOTAL	2

NAME	DATE

ILLINOIS DEPARTMENT OF TRANSPORTATION

SCHEDULE OF QUANTITIES

SCALE: VERT. / HORIZ. DATE

DRAWN BY / CHECKED BY

F.A.P. RTE.	SECTION	COUNTY	TOTAL SHEETS	SHEET NO.
317	146-URS-7	PEORIA	62	14
STA.		TO STA.		
FED. ROAD DIST. NO.		ILLINOIS FED. AID PROJECT		

TEMPORARY & THERMOPLASTIC PAVEMENT MARKING - LINE 8"	
LOCATION	SOLID WHITE
	FT
TURN LANES	
NB OUTSIDE STA 73+88 - 72+38	150.0
SB INSIDE STA 71+98 - 71+07	91.0
SB INSIDE STA 35+48 - 174+95	134.0
NB INSIDE STA 179+78 - 180+85	107.0
SB INSIDE STA 182+28 - 184+20	192.0
SB OUTSIDE STA 182+70 - 186+29	360.0
ADAMS STA 13+70 - 13+14 (LEFT)	56.4
ISLANDS @ ADAMS/WASHINGTON	
NW CORNER	261.3
SW CORNER	81.5
SE CORNER	171.5
CROSSWALKS	
STA 73+71	60.0
STA 73+63	60.0
SAT 42+87	61.0
STA 42+81	62.0
STA 180+92	109.4
STA 180+98	108.9
STA 182+15	111.8
STA 182+21	131.8
WEST McCLURE	96.0
EAST McCLURE	81.2
ADAMS	193.0
WASHINGTON	151.5
TOTAL	2831.3

LOCATION	LENGTH	# OF LINES	SHORT-TERM PAVEMENT MARKINGS	WORK ZONE PAVEMENT MARKING REMOVAL
	FT		FT	SQ FT
CENTERLINES				
NB STA 77+45 - 186+28.99	5465.0	1	1008.0	168
NB STA 178+26 - 186+28.99	803.0	1	160.0	26.7
SB STA 77+45 - 186+28.99	5465.0	1	1008.0	168
CENTER MEDIAN				
NB STA 77+45 - 77+18	27.0	2	16.0	2.7
NB STA 76+65 - 75+11	154.0	1	40.0	6.7
NB STA 75+11 - 74+00	106.5	1	32.0	5.3
SB STA 76+65 - 72+38	427.0	1	88.0	14.7
NB STA 71+98 - 71+07	91.0	1	24.0	4.0
NB & SB STA 71+07 - 65+67	540.0	2	224.0	37.3
NB & SB STA 65+67 - 63+35	232.0	1	56.0	9.3
NB & SB STA 63+35 - 61+68	167.0	2	80.0	13.3
NB & SB STA 60+88 - 58+38	250.0	2	112.0	18.7
NB & SB STA 57+75 - 55+10	265.0	2	112.0	18.7
NB & SB STA 54+44 - 51+79	265.0	2	112.0	18.7
NB & SB STA 51+16 - 48+79	237.0	2	112.0	18.7
NB & SB STA 48+20 - 46+13	207.0	2	96.0	16.0
NB & SB STA 45+55 - 42+90	265.0	2	112.0	18.7
NB & SB STA 42+30 - 40+07	223.0	2	112.0	18.7
NB & SB STA 39+59 - 37+78	181.0	2	96.0	16.0
SIDERoadS				
W McCLURE	29.0	1	8.0	1.3
E McCLURE	16.0	1	8.0	1.3
ADAMS	56.4	1	24.0	4.0
TURN LANES				
NB STA 73+88 - 72+38	150.0	1	40.0	6.7
SB STA 71+98 - 71+07	91.0	1	24.0	4.0
SB STA 35+48 - 174+95	134.03	1	32.0	5.3
NB STA 179+78 - 180+85	107.0	1	32.0	5.3
SB STA 182+28 - 184+20	192.0	1	48.0	8.0
SB STA 182+71 - 186+28.99	357.99	1	80.0	13.3
TOTALS*			3896.0	649.4

* 2 APPLICATIONS FOR SHORT TERM PAVEMENT MARKING

PLT DATE = 4/26/2007
 FILE NAME = c:\projects\112102\112102\112102.dgn
 PLOT SCALE = 48.0000 / IN.
 USER NAME = cmoverp

REVISIONS	
NAME	DATE

ILLINOIS DEPARTMENT OF TRANSPORTATION

SCHEDULE OF QUANTITIES

SCALE: VERT. _____
 HORIZ. _____

DRAWN BY _____
 CHECKED BY _____

F.A.P. RTE.	SECTION	COUNTY	TOTAL SHEETS	SHEET NO.
317	146-11RS-7	PEORIA	62	15
STA.		TO STA.		
FED. ROAD DIST. NO.		ILLINOIS FED. AID PROJECT		

TEMPORARY & THERMOPLASTIC PAVEMENT MARKING LINE 4''

STATION	LOCATION	DOUBLE SOLID YELLOW	SOLID & SKIP DASH YELLOW
		FT	FT
STA 77+45 - 77+18	MEDIAN	163.5	
STA 76+65 - 75+11	MEDIAN		402.0
STA 75+11 - 73+88	MEDIAN	433.8	
STA 73+88 - 72+38	MEDIAN	300.0	
STA 71+98 - 71+07	MEDIAN	182.0	
STA 71+07 - 65+67	MEDIAN	2160.0	
STA 65+67 - 63+35	MEDIAN	464.0	
STA 63+35 - 61+68	MEDIAN	510.5	
STA 60+88 - 58+38	MEDIAN		640.0
STA 57+75 - 55+10	MEDIAN		670.0
STA 54+44 - 51+79	MEDIAN		670.0
STA 51+16 - 48+79	MEDIAN		594.0
STA 48+20 - 46+13	MEDIAN		534.0
STA 45+55 - 42+90	MEDIAN		670.0
STA 42+30 - 40+07	MEDIAN		566.0
STA 39+59 - 37+78	MEDIAN		462.0
STA 37+78 - 36+48	LT & RT	260.0	
STA 35+48 - 35+10.53	LT & RT	45.3	
STATION EQUATION			
STA 173+98.44 - 181+14	LT & RT	1435.2	
STA 182+21 - 186+28.99	LT & RT	804.7	
E. McCLURE	MEDIAN	32.0	
W. McCLURE	MEDIAN	58.0	
ADAMS ST.	MEDIAN	190.8	
WASHINGTON ST.	MEDIAN	227.6	
SUBTOTALS		7332.8	5208.0
TOTAL		12540.8	

TEMPORARY & THERMOPLASTIC PAVEMENT MARKING - LINE 12''

LOCATION	YELLOW DIAGONAL
	FT
STA 77+30	17.5
STA 70+94 - 65+67	76.6
STA 63+35 - 61+68	28.9
STA 74+01 - 75+11	36.8
TOTAL	159.8

TEMPORARY & THERMOPLASTIC PAVEMENT MARKING - LINE 24''

LOCATION	WHITE STOP BARS
	FT
NB STA 73+76	24
SB STA 73+60	24
NB STA 42+90	36
SB STA 42+30	36
NB STA 180+85	48
RT TURN LANE	15
SB STA 182+28	38
RT TURN LANE	16
WEST McCLURE	15
EAST McCLURE	16
ADAMS	39
WASHINGTON	19
TOTAL	326

PLOT DATE = 0/7/2007
 FILE NAME = c:\p\proj\68469\146-11rs-7\plan\shst.dgn
 PLOT NAME = 146-11RS-7 / 15
 USER NAME = gmsvrrpjl

REVISIONS	
NAME	DATE

ILLINOIS DEPARTMENT OF TRANSPORTATION

SCHEDULE OF QUANTITIES

SCALE: VERT. _____
 HORIZ. _____
 DATE _____

DRAWN BY _____
 CHECKED BY _____

F.A.P. RTE.	SECTION	COUNTY	TOTAL SHEETS	SHEET NO.
317	146-1)RS-7	PEORIA	62	16
STA.		TO STA.		
FED. ROAD DIST. NO.	ILLINOIS	FED. AID PROJECT		

RAISED REFLECTIVE PAVEMENT MARKERS

LOCATION	LENGTH	CRYSTAL	AMBER		LOCATION	LENGTH	CRYSTAL	AMBER		REMOVAL
		ONE-WAY	ONE-WAY	TWO-WAY			ONE-WAY	ONE-WAY	TWO-WAY	
		EACH	EACH	EACH			EACH	EACH	EACH	
CENTERLINE					CENTERLINE					
NB STA 77+45 - 55+10	2235	29			SB STA 77+45 - 72+38	507	7			36
NB STA 54+45 - 51+80	265	4			SB STA 71+98 - 61+68	1030	14			18
NB STA 51+21 - 48+80	241	4			SB STA 60+88 - 58+38	250	4			8
NB STA 48+20 - 46+13	207	4			SB STA 57+75 - 55+10	265	4			8
NB STA 45+55 - 42+90	265	4			SB STA 54+45 - 51+80	265	4			8
NB STA 42+28 - 36+30	598	9			SB STA 51+21 - 48+80	241	4			13
NB STA 35+75 - 180+85	751.03	10			SB STA 48+20 - 46+13	207	4			14
NB STA 178+26 - 180+85	259	4			SB STA 45+55 - 42+90	265	4			8
NB STA 182+28 - 186+28.99	400.99	6			SB STA 42+28 - 40+07	221	4			10
					SB STA 39+59 - 180+92	1142	15			15
					SB STA 182+28 - 186+28.99	400.99	6			6
TURN LANE					TURN LANE					
NB STA 179+87 - 180+85	98	3			SB STA 71+98 - 71+07	92	3			6
NB STA 73+63 - 72+38	125	4			SB STA 35+51 - 174+95	137.03	4			8
					SB STA 182+28 - 184+20	192	6			6
					SB STA 182+70 - 186+28.99	358.99	10			10
BI-DIRECTIONAL TURN LANE					MEDIAN					
STA 76+45 - 75+45	100			6	STA 75+11 - 74+00	111		9		15
STA 73+60 - 72+38	122			8	STA 71+50 - 65+50	500		28		36
STA 71+98 - 71+00	98			6	STA 63+50 - 61+68	182		11		17
STA 65+50 - 63+60	190			8						8
STA 61+88 - 58+38	250			12						12
STA 57+75 - 55+10	265			12						12
STA 54+45 - 51+80	265			12						12
STA 51+21 - 48+80	241			12						12
STA 48+20 - 46+13	207			10						10
STA 45+55 - 42+90	265			12						12
STA 42+28 - 40+07	221			10						10
STA 39+59 - 37+78	181			8						8
SUBTOTALS		81	0	116	SUBTOTALS		93	48	0	338
TOTALS					TOTALS					338

PLOT DATE = 4/26/2007
 FILE NAME = c:\pcc\mets\un2\bar\plan\shasta.dgn
 PLOT SCALE = 48.0000 / IN.
 USER NAME = unovmpj

REVISIONS	
NAME	DATE

ILLINOIS DEPARTMENT OF TRANSPORTATION

SCHEDULE OF QUANTITIES

SCALE: VERT. _____
 HORIZ. _____

DATE _____ DRAWN BY _____
 CHECKED BY _____

F.A.P. RTE.	SECTION	COUNTY	TOTAL SHEETS	SHEET NO.
317	146-11RS-7	PEORIA	62	17
STA.		TO STA.		
FED. ROAD DIST. NO.		ILLINOIS	FED. AID PROJECT	

TEMPORARY & PREFORMED PLASTIC PAVEMENT MARKING - LINE 6"

LOCATION	LENGTH	SKIP-DASH WHITE
	FT	FT
NORTHBOUND		
STA 77+45 - 55+10	2235	570
STA 54+45 - 51+80	265	70
STA 51+21 - 48+80	241	70
STA 48+20 - 46+13	207	60
STA 45+55 - 42+90	265	70
STA 42+28 - 36+30	598	150
STA 35+75 - 180+85	751	190
STA 178+26 - 180+85	259	70
STA 182+28 - 186+29	401	200
SOUTHBOUND		
STA 77+45 - 72+38	507.0	140
STA 71+98 - 61+68	1030.0	260
STA 60+88 - 58+38	250.0	70
STA 57+75 - 55+10	265.0	70
STA 54+45 - 51+80	265.0	70
STA 51+21 - 48+80	241.0	70
STA 48+20 - 46+13	207.0	60
STA 45+55 - 42+90	265.0	70
STA 42+28 - 40+07	221.0	60
STA 39+59 - 180+92	1142.0	300
STA 182+28 - 186+29	401.0	110
TOTAL		2730

TEMPORARY & THERMOPLASTIC PAVEMENT MARKING - LETTERS & SYMBOLS

LOCATION	YELLOW TURN ARROWS	
	#	SQ FT
STA 77+45 - 75+45	4	62.4
NB STA 73+60 - 72+38	2	31.2
SB STA 71+98 - 71+07	2	31.2
STA 60+88 - 58+38	2	31.2
STA 57+75 - 55+10	4	62.4
STA 54+45 - 51+80	4	62.4
STA 51+21 - 48+80	4	62.4
STA 48+20 - 46+13	4	62.4
STA 45+55 - 42+90	6	93.6
STA 42+28 - 40+07	4	62.4
STA 39+59 - 37+78	2	31.2
SB STA 35+48 - 174+95	2	31.2
SB STA 179+78 - 180+85	2	31.2
SB STA 182+28 - 184+20	3	46.8
SB STA 182+70 - 183+20	2	31.2
ADAMS STA 13+06 - 13+70	2	31.2
ADAMS STA 13+06 (COMBO)	1	26.0
TOTALS	50	790.4

MOBILIZATION	
LOCATION	LUMP SUM
PROJECT LIMITS	1
TOTAL	1

DETECTOR LOOP, TY 1	
LOCATION	FT
SB STA 70+43	80.0
TOTAL	80.0

REVISIONS	
NAME	DATE

ILLINOIS DEPARTMENT OF TRANSPORTATION

SCHEDULE OF QUANTITIES

SCALE: VERT. _____
HORIZ. _____
DATE _____

DRAWN BY _____
CHECKED BY _____

F.A.P. RTE.	SECTION	COUNTY	TOTAL SHEETS	SHEET NO.
317	146-1RS-7	PEORIA	62	18
STA.		TO STA.		
FED. ROAD DIST. NO.		ILLINOIS FED. AID PROJECT		

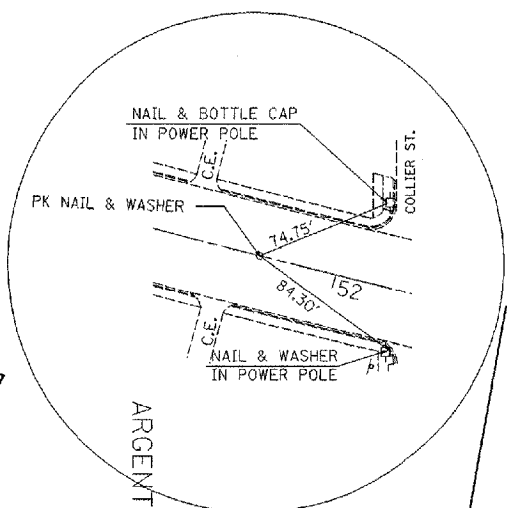
TIES TO P.T. STA. 61+78.83

TIES TO P.O.T. STA. 40+08.83

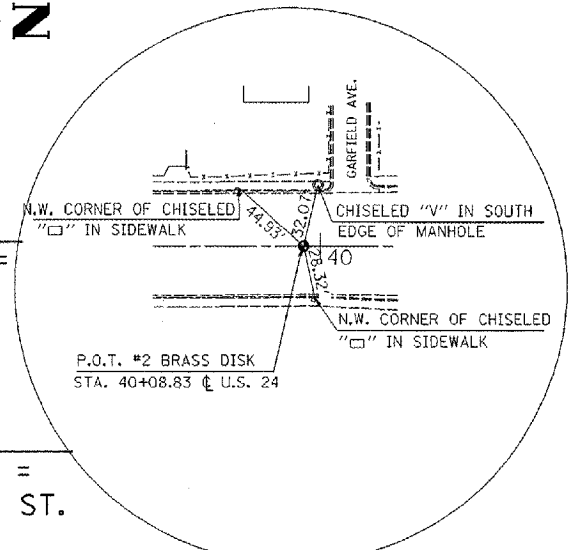
TIES TO P.O.T. STA. 35+10.53



STA. 61+36.30
FAP 317 (US 24) =
☉ ROSARIA AVE.



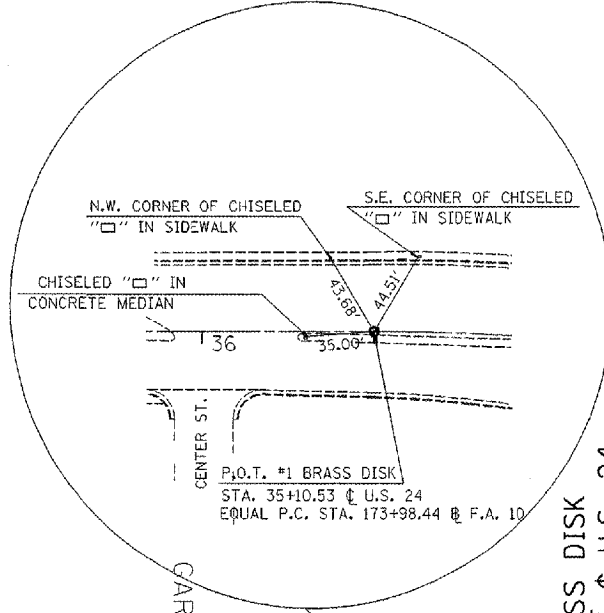
STA. 54+77.70
FAP 317 (US 24) =
☉ WEST PERU ST.



STA. 51+48
FAP 317 (US 24) =
☉ WEST COLLIER ST.

STA. 48+49
FAP 317 (US 24) =
☉ BRAZIL ST.

STA. 45+83.30
FAP 317 (US 24) =
☉ WEST BOLIVIA ST.



STA. 39+83.65
FAP 317 (US 24) =
☉ GARFIELD ST.

P.O.T. #1 BRASS DISK
STA. 35+10.53 ☉ U.S. 24
EQUAL P.C. STA. 173+98.44 ☉ F.A. 10

STA. 58+07.92
FAP 317 (US 24) =
☉ ARGENTINA ST.

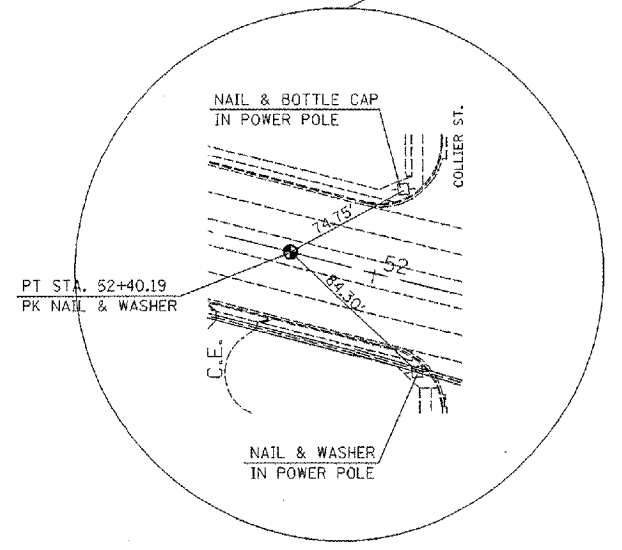
STA. 54+77.30
FAP 317 (US 24) =
☉ EAST PERU ST.

STA. 51+48.40
FAP 317 (US 24) =
☉ EAST COLLIER ST.

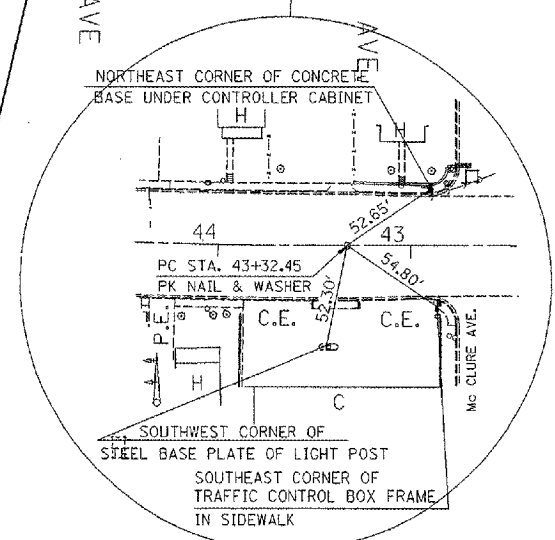
STA. 45+84.91
FAP 317 (US 24) =
☉ EAST BOLIVIA ST.

STA. 42+61.10
FAP 317 (US 24) =
☉ McCLURE ST.

STA. 35+90.09
FAP 317 (US 24) =
☉ CENTER ST.



TIES TO P.T. STA. 52+40.19



TIES TO P.C. STA. 43+35.45

REVISIONS	
NAME	DATE

ILLINOIS DEPARTMENT OF TRANSPORTATION

TIE POINTS

SCALE: VERT. _____
HORIZ. _____
DATE _____

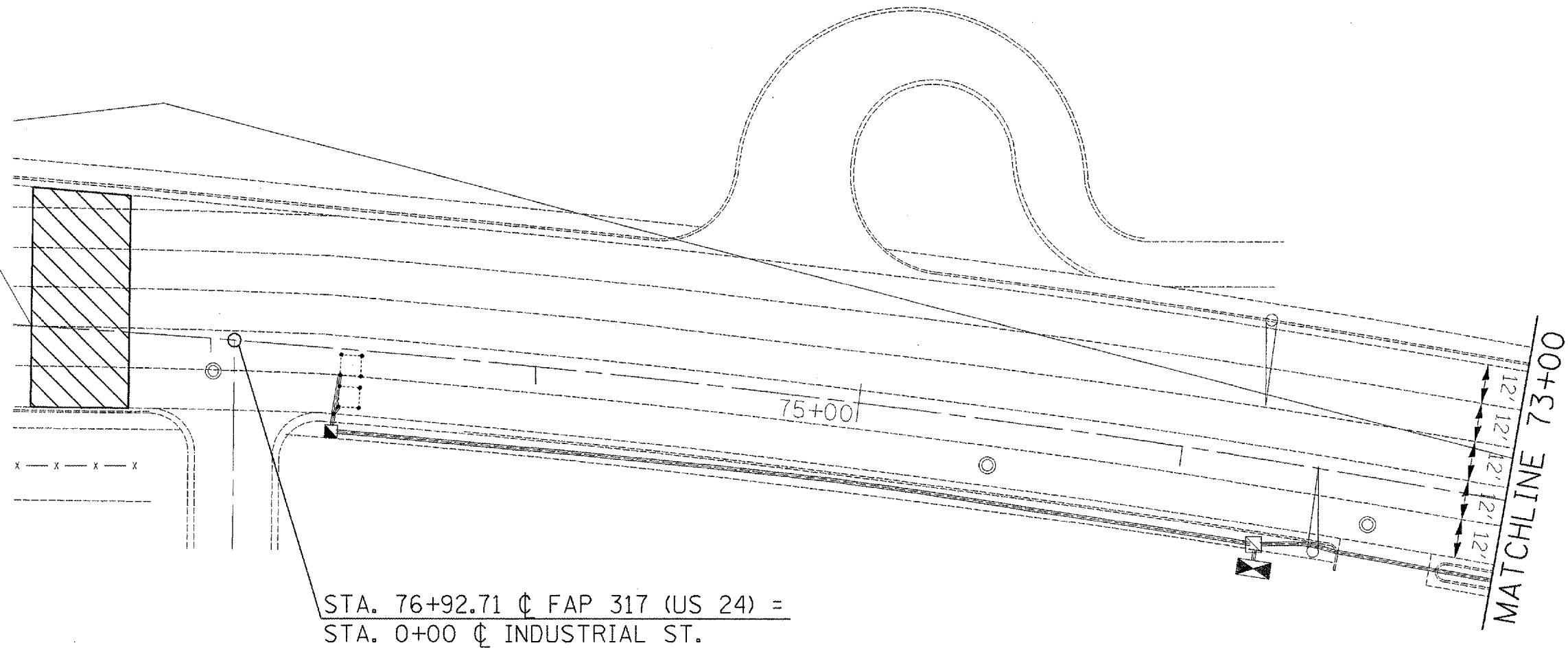
DRAWN BY _____
CHECKED BY _____

PLOT DATE = 4/26/2007
 FILE NAME = o:\projects\usa24bar\plan sheets.dgn
 PLOT SCALE = 48.0000 / IN.
 USER NAME = cnoventry

CONTRACT NO. 68469				
F.A.P. RTE.	SECTION	COUNTY	TOTAL SHEETS	SHEET NO.
317	46-1RS-7	PEORIA	62	19
STA.	TO STA.			
FED. ROAD DIST. NO.	ILLINOIS	FED. AID PROJECT		

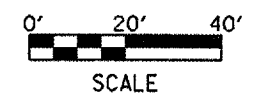


BEGIN CONSTRUCTION
STA. 77+45



REMOVAL LEGEND

- BUTT JOINT
- CCC&G



REVISIONS	
NAME	DATE

ILLINOIS DEPARTMENT OF TRANSPORTATION
**EXISTING
PLAN SHEETS
B.O.P. - 73+00**

SCALE: VERT. _____
HORIZ. _____

DRAWN BY _____
CHECKED BY _____

PLOT DATE = 6/3/2007
 FILE NAME = c:\p\proj\mcs\m24\bar\p\lan\shs\p.dgn
 PLOT SCALE = 40.0000 1/ IN.
 USER NAME = conoverpj

F.A.P. RTE.	SECTION	COUNTY	TOTAL SHEETS	SHEET NO.
317	46-1RS-7	PEORIA	62	20
STA.		TO STA.		
FED. ROAD DIST. NO.		ILLINOIS FED. AID PROJECT		



PAVING ENDS

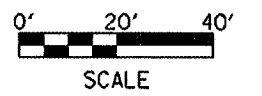
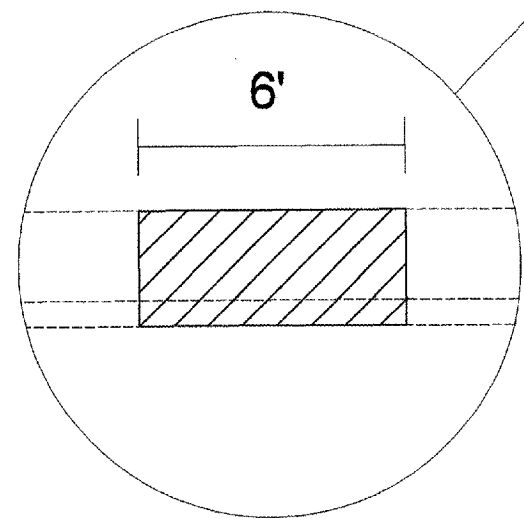
ADAMS ST.

MATCHLINE 73+00

MATCHLINE 68+00

70+00

12'
12'
6'
12'
12'



REMOVAL LEGEND

- BUTT JOINT
- CCC&G

REVISIONS	
NAME	DATE

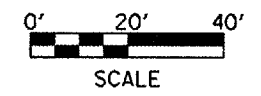
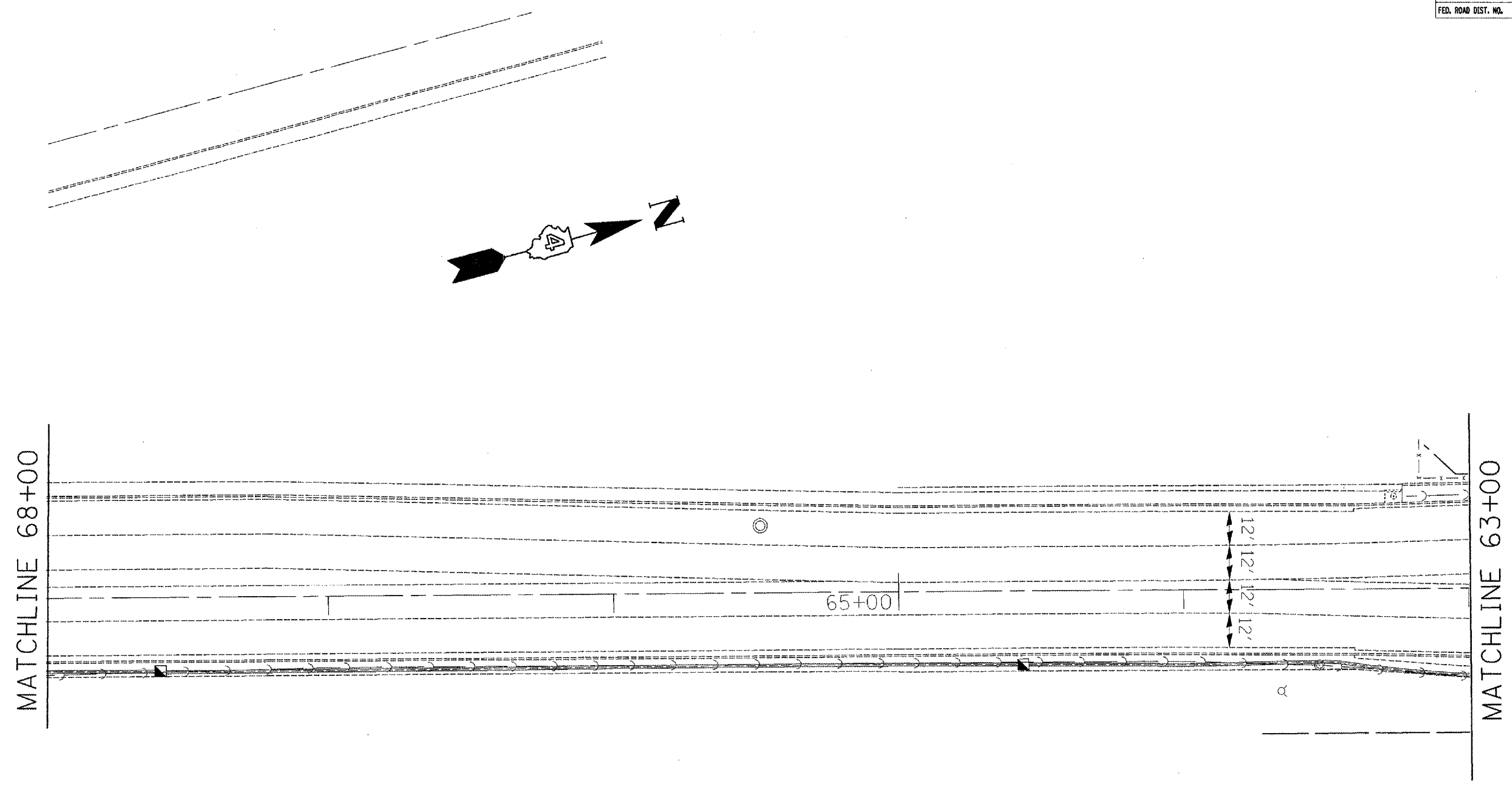
ILLINOIS DEPARTMENT OF TRANSPORTATION
**EXISTING
 PLAN SHEETS**
STA 73+00 - 68+00

SCALE: VERT. _____
 HORIZ. _____
 DATE _____
 DRAWN BY _____
 CHECKED BY _____

PLOT DATE = 8/3/2007
 FILE NAME = c:\pvc\pvt\1424bar\p10mshests.dgn
 PLOT SCALE = 48.0000' / IN.
 USER NAME = oboverp

CONTRACT NO. 68469

F.A.P. RTE.	SECTION	COUNTY	TOTAL SHEETS	SHEET NO.
317	146-1RS-7	PEORIA	62	21
STA.		TO STA.		
FED. ROAD DIST. NO.	ILLINOIS	FED. AID PROJECT		



REMOVAL LEGEND

- BUTT JOINT
- CCC&G

REVISIONS	
NAME	DATE

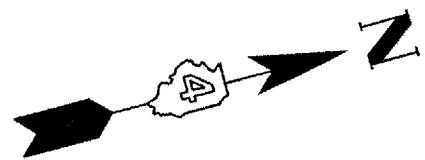
ILLINOIS DEPARTMENT OF TRANSPORTATION
EXISTING
PLAN SHEETS
STA 68+00 - 63+00

SCALE: VERT. _____
 HORIZ. _____

DATE _____ DRAWN BY _____
 CHECKED BY _____

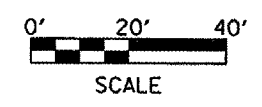
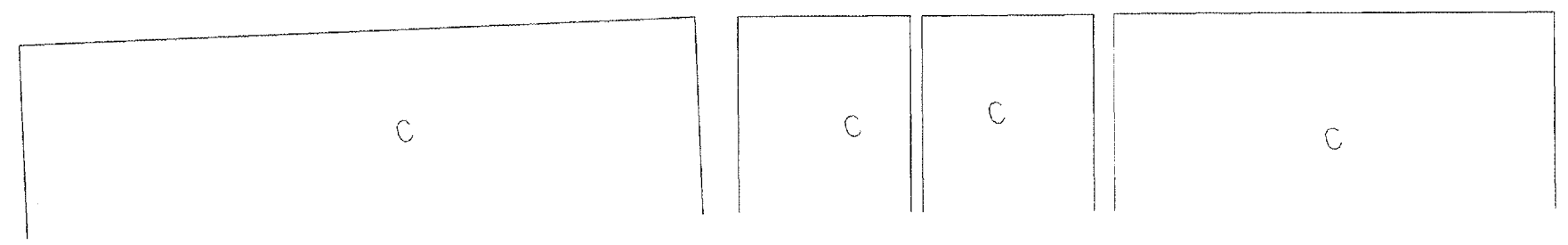
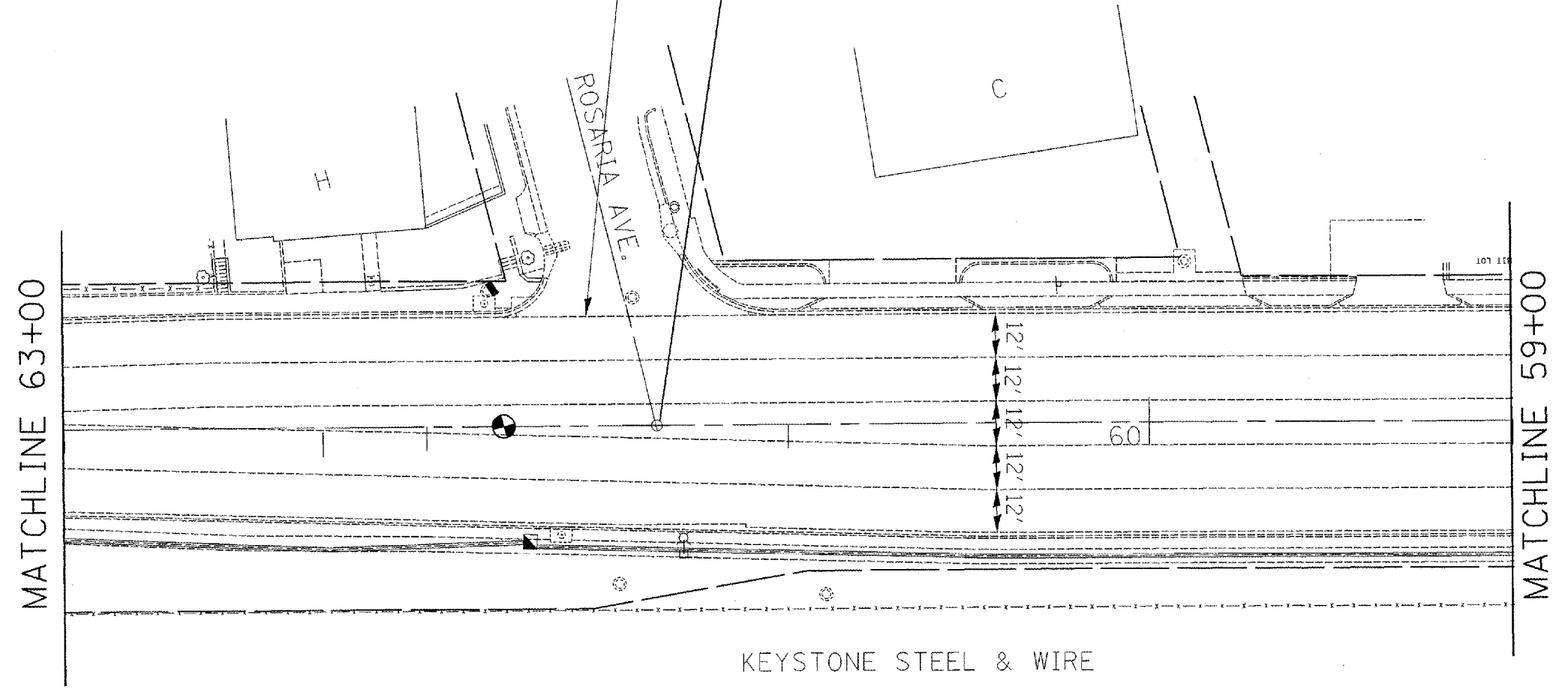
PLOT DATE = 10/2/2007
 FILE NAME = c:\p\projects\un2\hbert\plan\sheet\udgn
 PLOT SCALE = 48.8888 / IN.
 USER NAME = conoverp.j

F.A.P. RTE.	SECTION	COUNTY	TOTAL SHEETS	SHEET NO.
317	146-11RS-7	PEORIA	62	22
STA.		TO STA.		
FED. ROAD DIST. NO.		ILLINOIS FED. AID PROJECT		



PAVING ENDS

STA. 61+36.30 FAP 317 (US 24) =
 C ROSARIA AVE.



REMOVAL LEGEND

- BUTT JOINT
- CCC&G

REVISIONS	
NAME	DATE

ILLINOIS DEPARTMENT OF TRANSPORTATION
EXISTING
PLAN SHEETS
STA 63+00 - 59+00
 SCALE: VERT. _____
 HORIZ. _____
 DATE _____
 DRAWN BY _____
 CHECKED BY _____

PLOT DATE = 8/3/2007
 FILE NAME = c:\p\proj\68469\146-11rs-7\plan\sheet22.dgn
 PLOT SCALE = 48.0000' / IN.
 USER NAME = c:\overp.j

F.A.P. RTE.	SECTION	COUNTY	TOTAL SHEETS	SHEET NO.
317	146-1/RS-7	PEORIA	62	23
STA.		TO STA.		
FED. ROAD DIST. NO.		ILLINOIS FED. AID PROJECT		

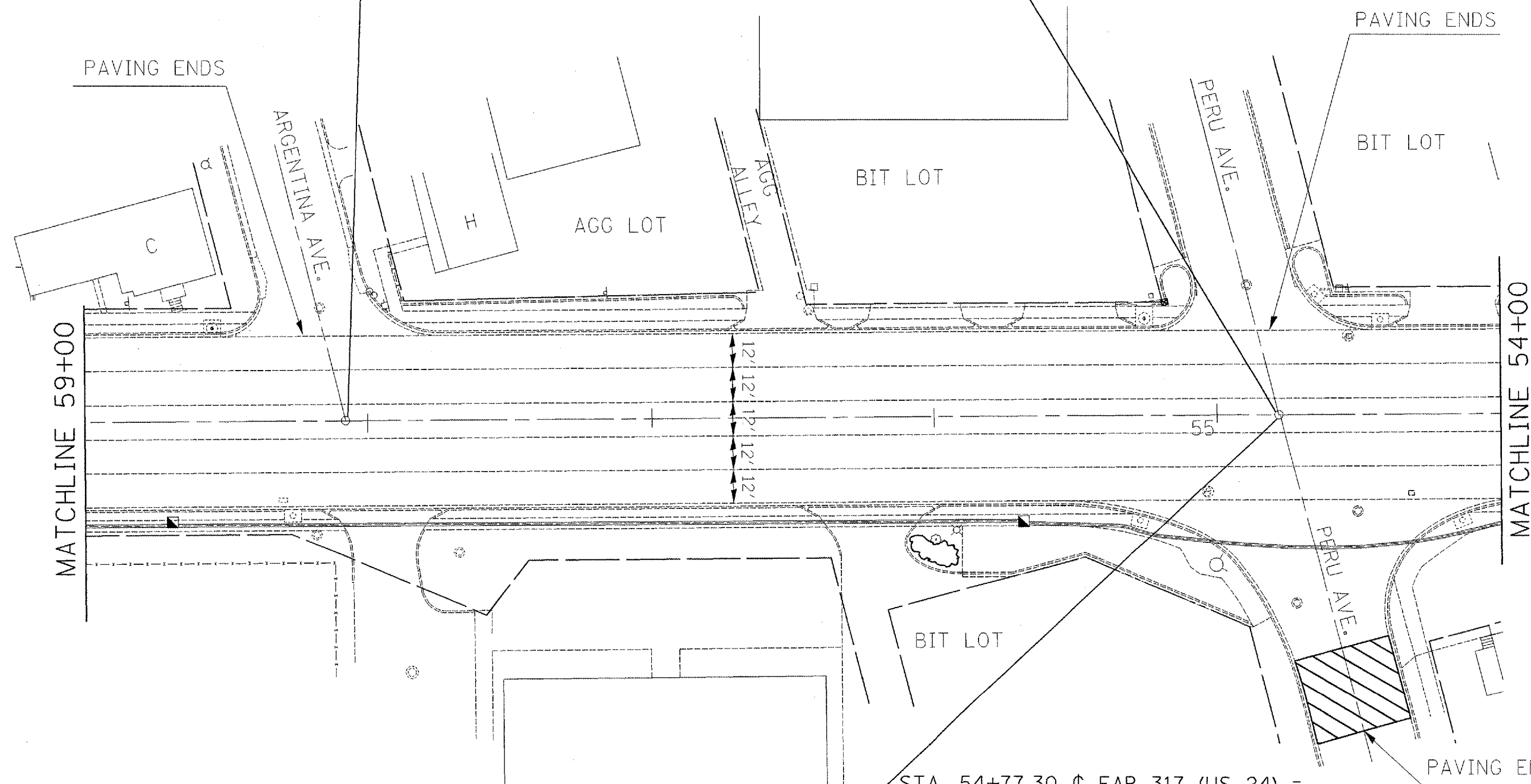
BENCHMARK #2
TOP OF ROW MARKER @
SW CORNER OF PERU ST.
ELEV. 470.57

STA. 58+07.92 FAP 317 (US 24) =
☉ ARGENTINA ST.



STA. 54+77.70 ☉ FAP 317 (US 24) =
☉ WEST PERU ST.

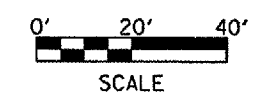
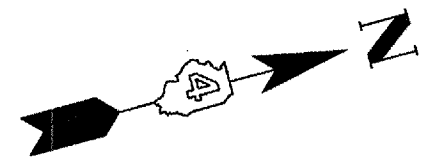
STA. 54+77.30 ☉ FAP 317 (US 24) =
☉ EAST PERU ST.

PAVING ENDS 114.5'
FROM US 24 ☉



REMOVAL LEGEND

-  BUTT JOINT
-  CCC&G



REVISIONS	
NAME	DATE

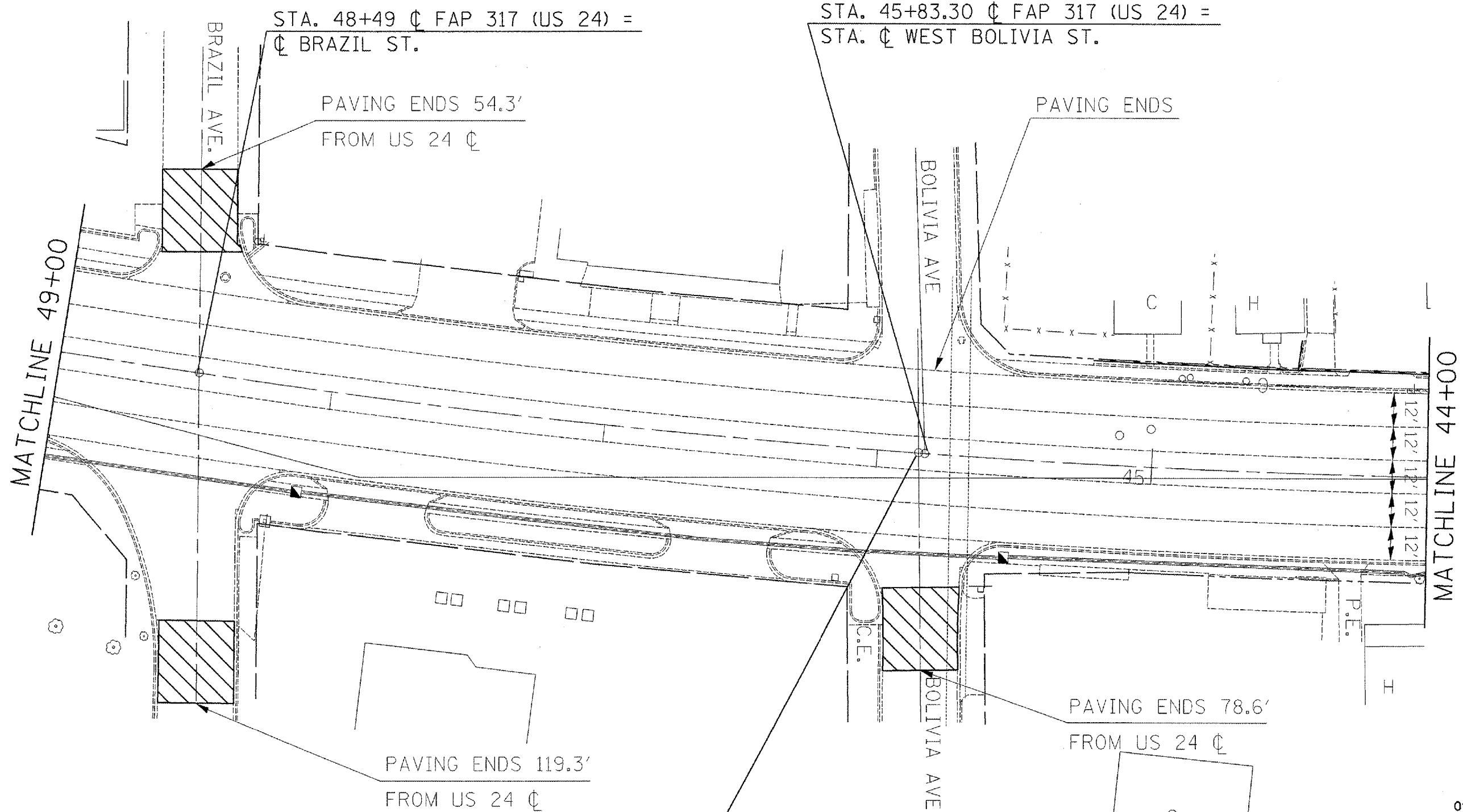
ILLINOIS DEPARTMENT OF TRANSPORTATION
**EXISTING
PLAN SHEETS**
STA 59+00 - 54+00

SCALE: VERT. _____
HORIZ. _____

DATE _____ DRAWN BY _____
CHECKED BY _____

PLOT DATE = 5/3/2007
 FILE NAME = a:\projects\146-1\rs-7\plan sheets.dgn
 PLOT SCALE = 40/8000 1/2" IN.
 USER NAME = cshoverpjl

F.A.P. RTE.	SECTION	COUNTY	TOTAL SHEETS	SHEET NO.
317	(46-1)RS-7	PEORIA	62	25
STA.		TO STA.		
FED. ROAD DIST. NO.		ILLINOIS FED. AID PROJECT		



STA. 45+84.91 \oslash FAP 317 (US 24) = \oslash EAST BOLIVIA ST.

REVISIONS	
NAME	DATE

ILLINOIS DEPARTMENT OF TRANSPORTATION
EXISTING PLAN SHEETS
STA 49+00 - 44+00

SCALE: VERT. _____
 HORIZ. _____

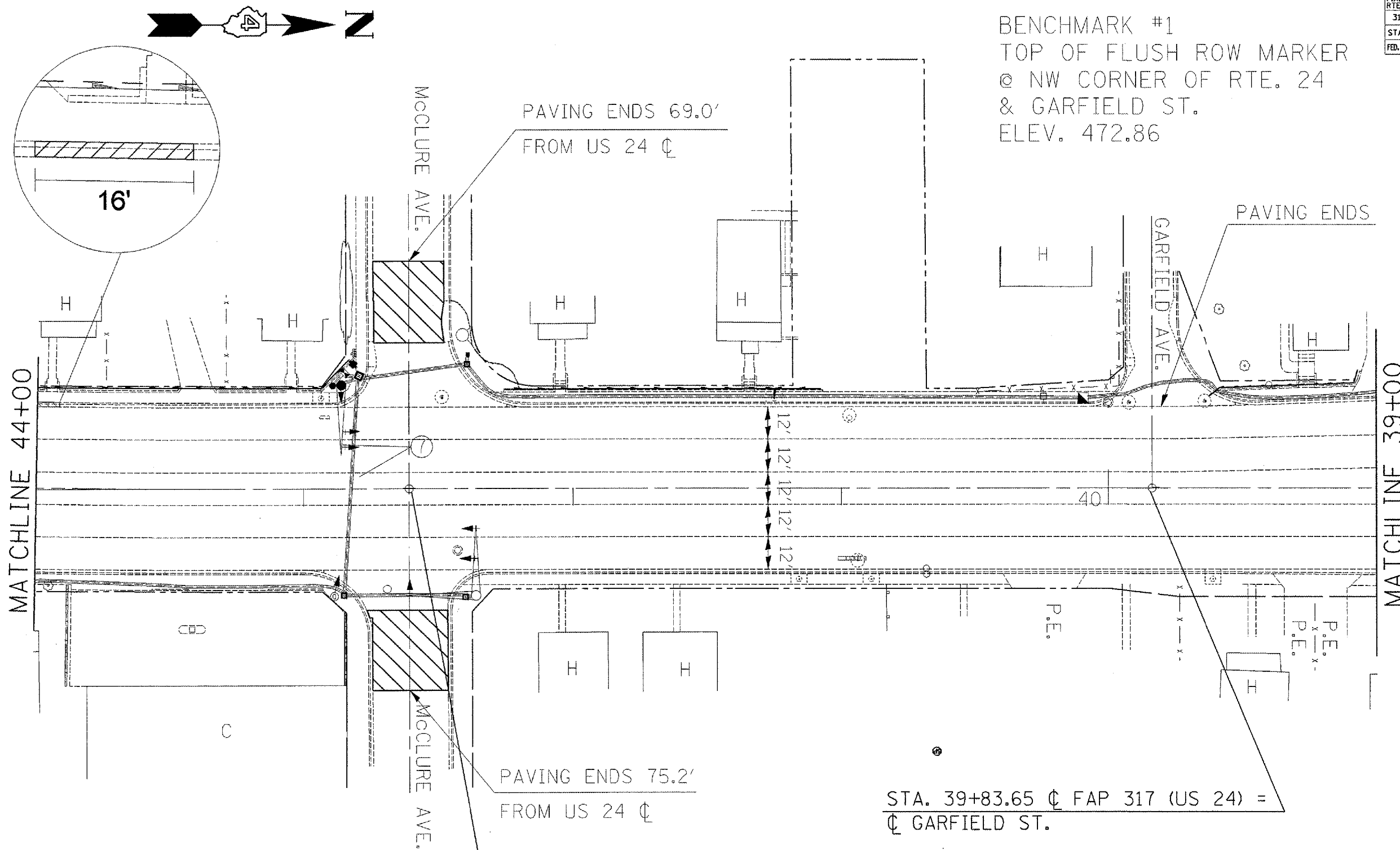
DATE _____

DRAWN BY _____
 CHECKED BY _____

PLOT DATE = 8/3/2007
 FILE NAME = c:\p\proj\sta\49+00\plan\sheet25.dgn
 PLOT SCALE = 48,000 / IN
 USER NAME = cconoverpj

F.A.P. RTE.	SECTION	COUNTY	TOTAL SHEETS	SHEET NO.
317	146-1RS-7	PEORIA	62	26
STA.		TO STA.		
FED. ROAD DIST. NO.		ILLINOIS	FED. AID PROJECT	

BENCHMARK #1
TOP OF FLUSH ROW MARKER
@ NW CORNER OF RTE. 24
& GARFIELD ST.
ELEV. 472.86



MATCHLINE 44+00

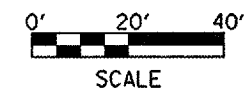
MATCHLINE 39+00

PAVING ENDS 69.0'
FROM US 24 ϕ

PAVING ENDS 75.2'
FROM US 24 ϕ

STA. 39+83.65 ϕ FAP 317 (US 24) =
 ϕ GARFIELD ST.

STA. 42+61.10 ϕ FAP 317 (US 24) =
 ϕ McCLURE ST.



REMOVAL LEGEND

- BUTT JOINT
- CCC&G

REVISIONS	
NAME	DATE

ILLINOIS DEPARTMENT OF TRANSPORTATION
**EXISTING
PLAN SHEETS
STA 44+00 - 39+00**

SCALE: VERT. _____
HORIZ. _____

DATE _____ DRAWN BY _____
CHECKED BY _____

PLOT DATE = 5/3/2007
FILE NAME = o:\projects\146-1RS-7\plans\hwsheet.dgn
PLOT SCALE = 1/8"=1'-0"
USER NAME = arooverpj

F.A.P. RTE.	SECTION	COUNTY	TOTAL SHEETS	SHEET NO.
317	146-1RS-7	PEORIA	62	27
STA.		TO STA.		
FED. ROAD DIST. NO.		ILLINOIS	FED. AID PROJECT	

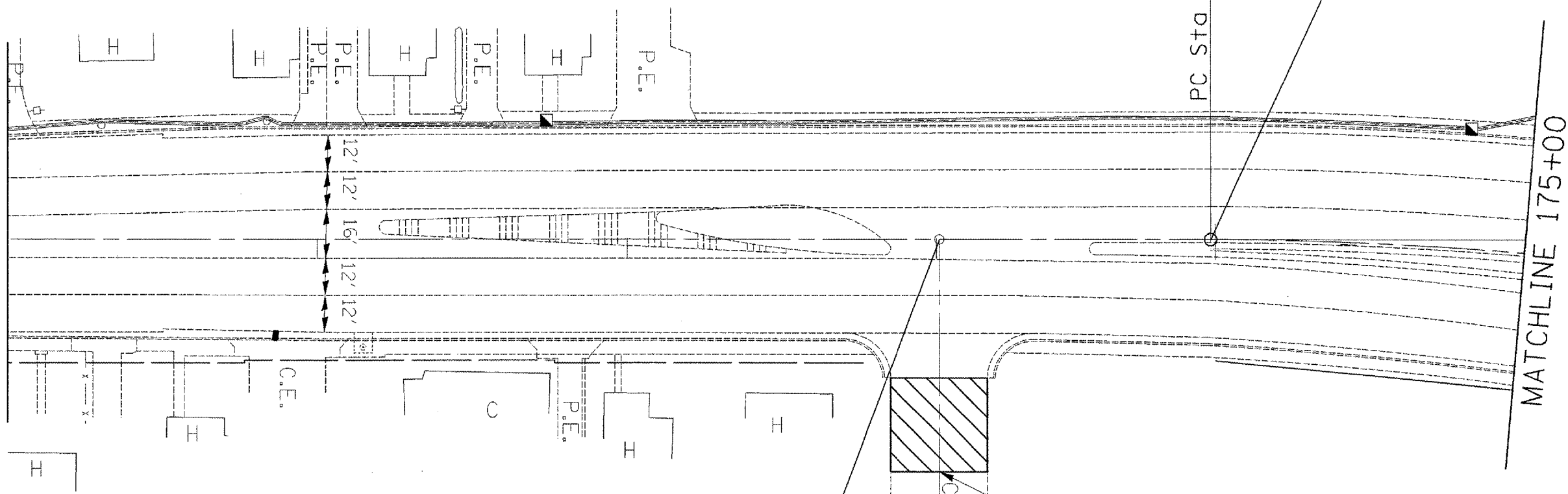
P.O.T. #1 BRASS DISK
 STA. 35+10.53 \oslash U.S. 24
 EQUAL P.C. STA. 173+98.44 \oslash F.A. 10



MATCHLINE 39+00

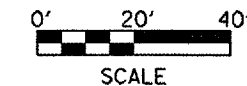
MATCHLINE 175+00

PC Sta 173+98.45



STA. 35+90.09 \oslash FAP 317 (US 24) =
 \oslash CENTER ST.

PAVING ENDS 75.4'
 FROM US 24 \oslash



REMOVAL LEGEND

- BUTT JOINT
- CCC&G

REVISIONS	
NAME	DATE

ILLINOIS DEPARTMENT OF TRANSPORTATION
EXISTING
PLAN SHEETS
STA 39+00 - 175+00

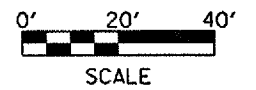
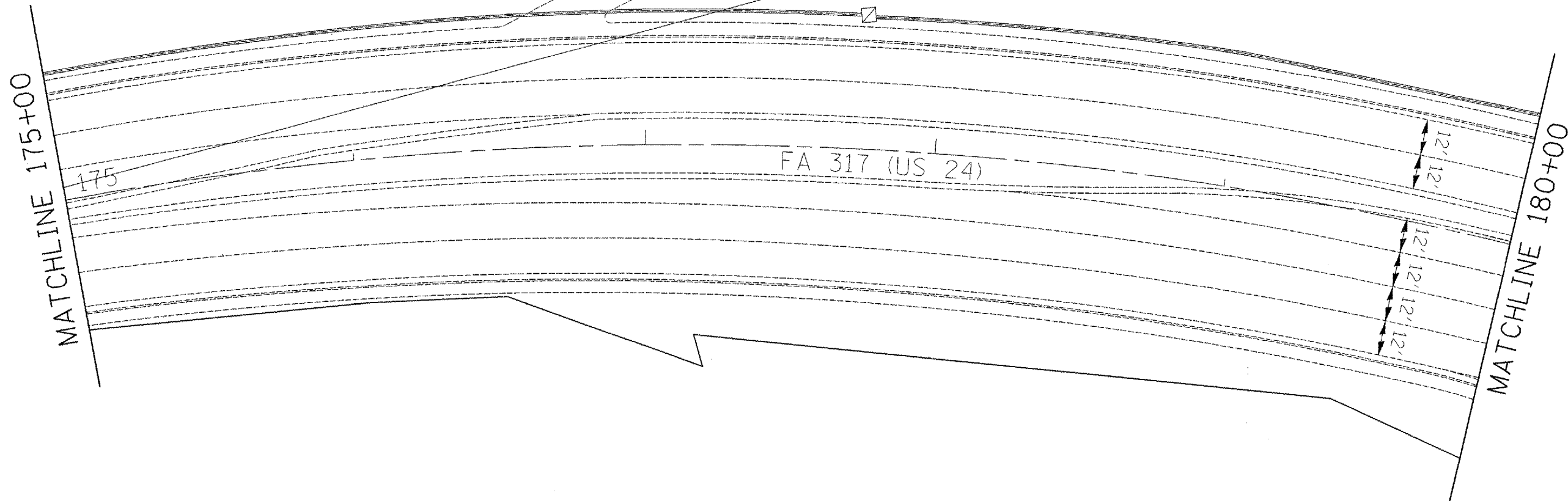
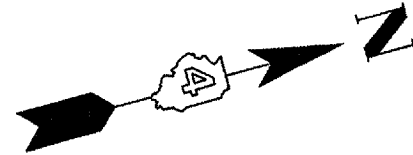
SCALE: VERT. _____
 HORIZ. _____
 DATE _____

DRAWN BY _____
 CHECKED BY _____


PLDT DATE = 6/3/2007
 FILE NAME = o:\projects\aut24bar\plenshwest.dgn
 PLOT SCALE = 1/8"=1'-0"
 USER NAME = amoverp

CONTRACT NO. 68469

F.A.P. RTE.	SECTION	COUNTY	TOTAL SHEETS	SHEET NO.
317	46-1RS-7	PEORIA	62	28
STA.		TO STA.		
FED. ROAD DIST. NO.	ILLINOIS	FED. AID PROJECT		



REMOVAL LEGEND

-  BUTT JOINT
-  CCC&G

REVISIONS	
NAME	DATE

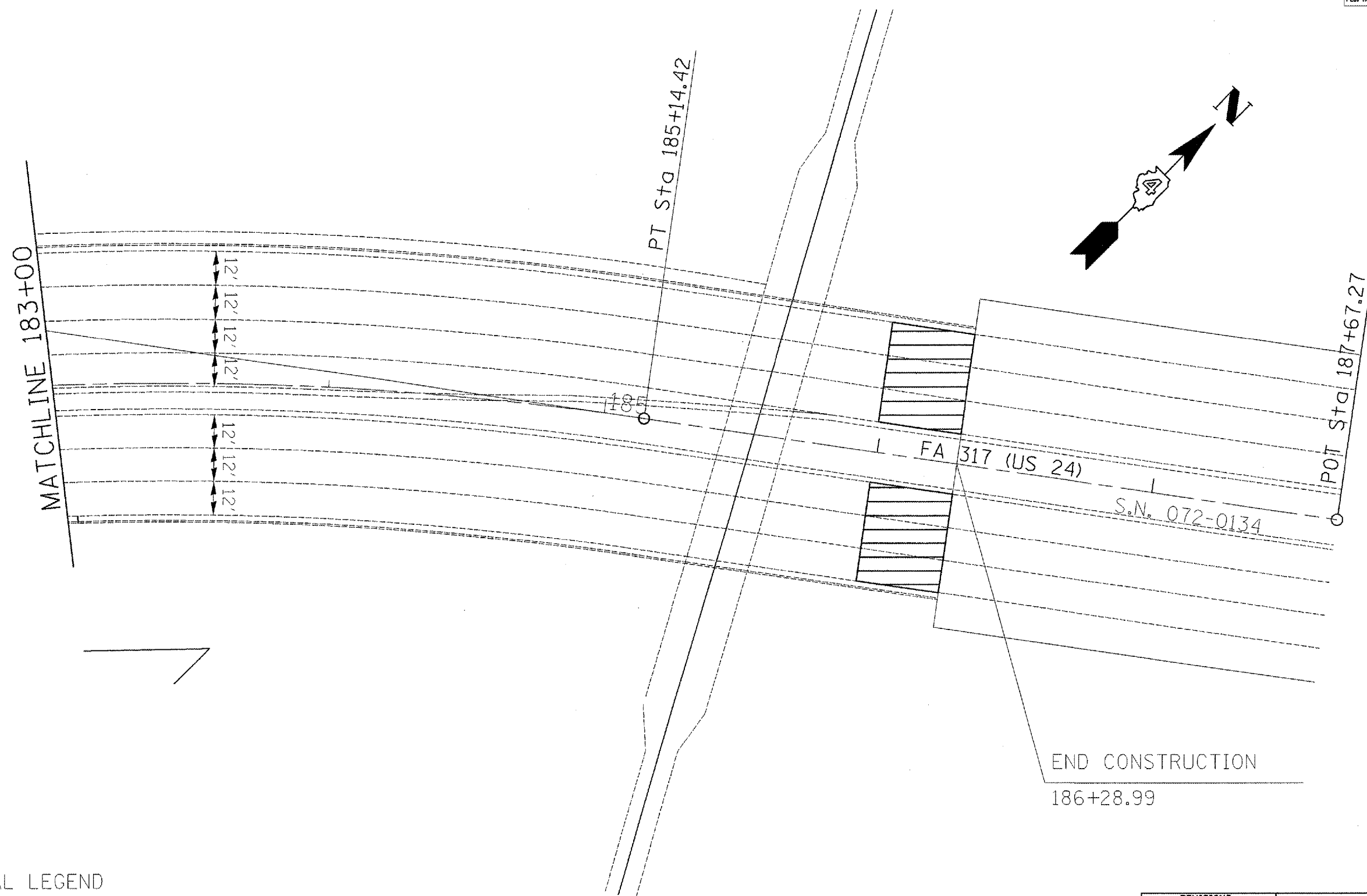
ILLINOIS DEPARTMENT OF TRANSPORTATION
**EXISTING
 PLAN SHEETS**
STA 175+00 - 180+00

SCALE: VERT. _____
 HORIZ. _____

DRAWN BY _____
 CHECKED BY _____

PLDT DATE = 5/3/2007
 FILE NAME = c:\p\o\j\ess\us24bar\plan\sheet.dgn
 PLDT SCALE = 48.0000 / IN.
 USER NAME = cnoonerpj

F.A.P. RTE.	SECTION	COUNTY	TOTAL SHEETS	SHEET NO.
317	(46-1)RS-7	PEORIA	62	30
STA.		TO STA.		
FED. ROAD DIST. NO.		ILLINOIS FED. AID PROJECT		



REMOVAL LEGEND

- BUTT JOINT
- CCC&G

PLOT DATE = 8/2/2007
 FILE NAME = c:\p\ro\mets\us24bar\plan\shshts.dgn
 PLOT SCALE = 48.0000 / IN.
 USER NAME = conoverpj

REVISIONS	
NAME	DATE

ILLINOIS DEPARTMENT OF TRANSPORTATION
EXISTING
PLAN SHEETS
STA 183+00 - E.O.P.

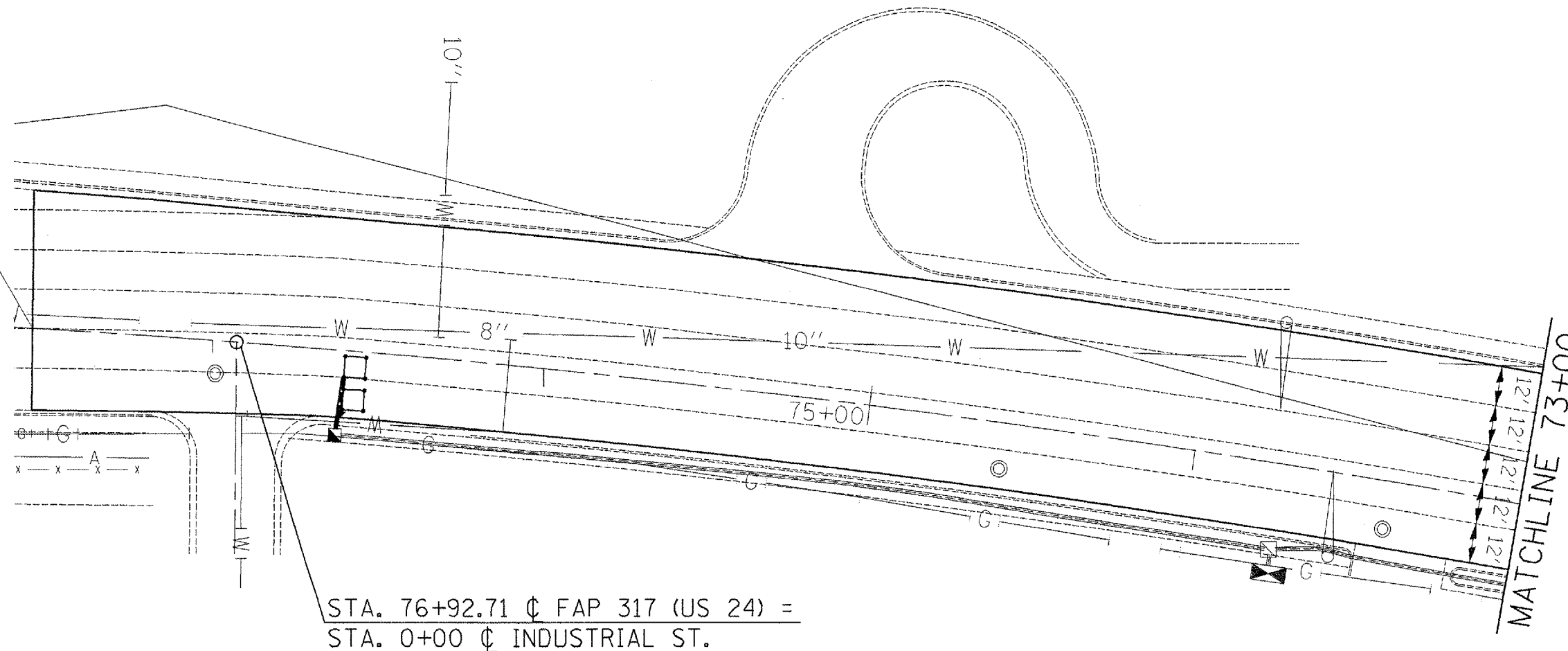
SCALE: VERT. HORIZ.
 DATE: DRAWN BY: CHECKED BY:

CONTRACT NO. 68463

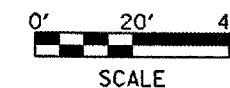
F.A.P. RTE.	SECTION	COUNTY	TOTAL SHEETS	SHEET NO.
317	146-1RS-7	PEORIA	62	31
STA.		TO STA.		
FED. ROAD DIST. NO.		ILLINOIS FED. AID PROJECT		



BEGIN CONSTRUCTION
STA. 77+45



STA. 76+92.71 ϕ FAP 317 (US 24) =
STA. 0+00 ϕ INDUSTRIAL ST.



REVISIONS	
NAME	DATE

ILLINOIS DEPARTMENT OF TRANSPORTATION
**PROPOSED
PLAN SHEETS
B.O.P. - 73+00**

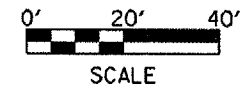
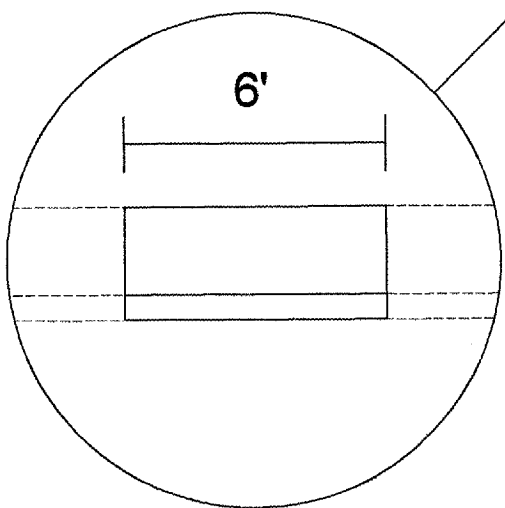
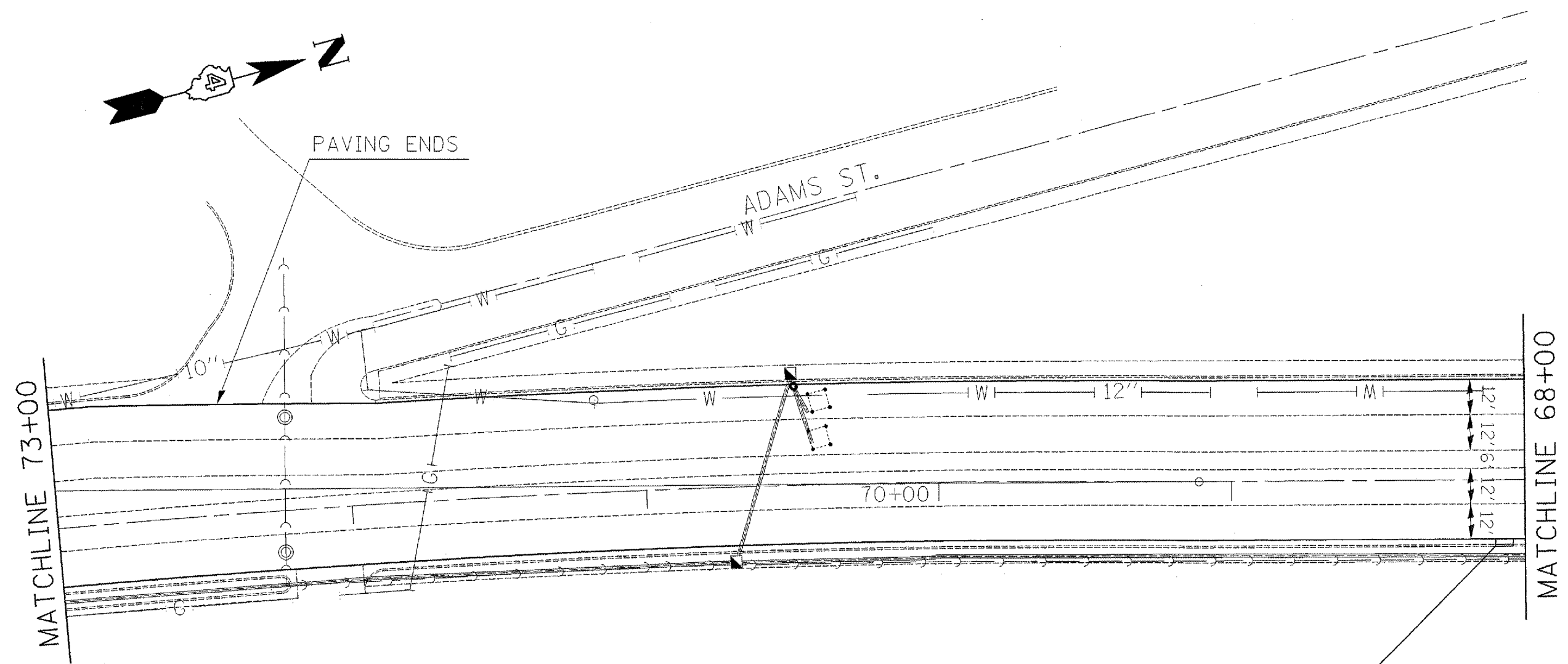
SCALE: VERT.
HORIZ.
DATE

DRAWN BY
CHECKED BY

PLT DATE = 0/3/2007
FILE NAME = c:\projects\146-1rs-7\plan\shs1.dgn
PLOT SCALE = 1/8"=1'-0"
USER NAME = c:\users\pj

CONTRACT NO. 68469

F.A.P. RTE.	SECTION	COUNTY	TOTAL SHEETS	SHEET NO.
317	(46-1)RS-7	PEORIA	62	32
STA.		TO STA.		
FED. ROAD DIST. NO.		ILLINOIS FED. AID PROJECT		



REVISIONS	
NAME	DATE

ILLINOIS DEPARTMENT OF TRANSPORTATION
**PROPOSED
 PLAN SHEETS**
STA 73+00 - 68+00

SCALE: VERT. _____
 HORIZ. _____

DRAWN BY _____
 CHECKED BY _____

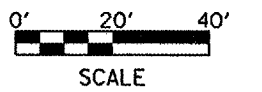
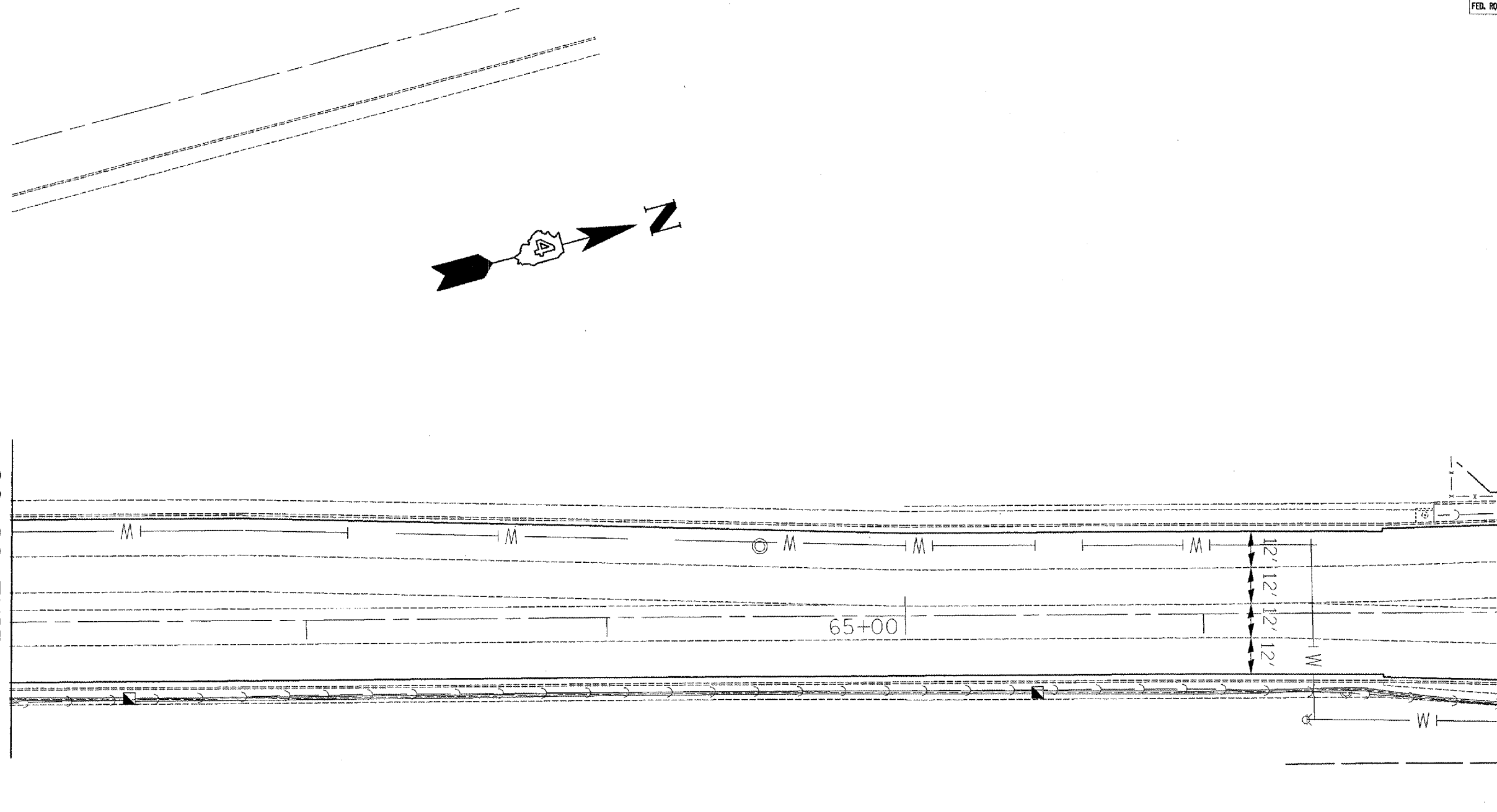
PLOT DATE = 5/3/2007
 FILE NAME = s:\p\projects\2007\2007\plan\sheet.dgn
 PLOT SCALE = 48.0000 / IN.
 USER NAME = conoverpj

CONTRACT NO. 68469

F.A.P. RTE.	SECTION	COUNTY	TOTAL SHEETS	SHEET NO.
317	146-1RS-7	PEORIA	62	33
STA.		TO STA.		
FED. ROAD DIST. NO.		ILLINOIS	FED. AID PROJECT	

MATCHLINE 68+00

MATCHLINE 63+00



REVISIONS	
NAME	DATE

ILLINOIS DEPARTMENT OF TRANSPORTATION
PROPOSED
PLAN SHEETS
STA 68+00 - 63+00

SCALE: VERT. _____
 HORIZ. _____
 DATE _____

DRAWN BY _____
 CHECKED BY _____

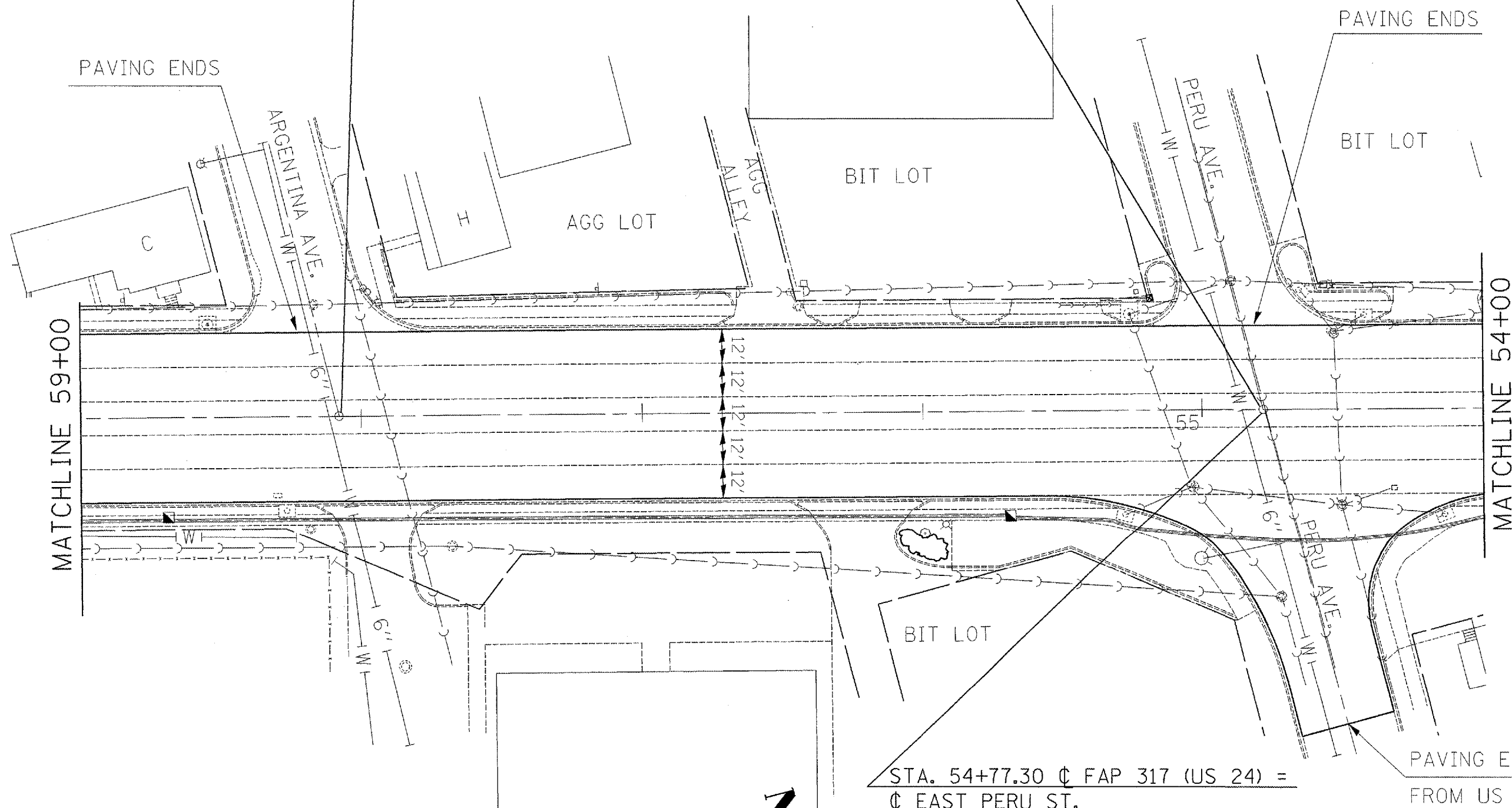
PLT DATE = 5/3/2007
 FILE NAME = c:\projects\un24bart\plan\sheeta.dgn
 PLOT SCALE = 48.0000 / IN.
 USER NAME = canoverPJ

F.A.P. RTE.	SECTION	COUNTY	TOTAL SHEETS	SHEET NO.
317	(46-URS-7)	PEORIA	62	35
STA.		TO STA.		
FED. ROAD DIST. NO.		ILLINOIS FED. AID PROJECT		

BENCHMARK #2
 TOP OF ROW MARKER @
 SW CORNER OF PERU ST.
 ELEV. 470.57

STA. 58+07.92 FAP 317 (US 24) =
 CL ARGENTINA ST.

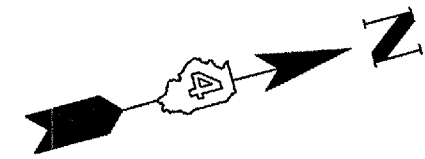
STA. 54+77.70 CL FAP 317 (US 24) =
 CL WEST PERU ST.



STA. 54+77.30 CL FAP 317 (US 24) =
 CL EAST PERU ST.

PAVING ENDS 114.5'
 FROM US 24 CL

PLOT DATE = 10/3/2007
 FILE NAME = c:\p\proj\004\1024bar\plan\sheeta.dgn
 PLOT SCALE = 1/8"=20' / IN.
 USER NAME = oonoverp



REVISIONS	
NAME	DATE

ILLINOIS DEPARTMENT OF TRANSPORTATION
PROPOSED
PLAN SHEETS
STA 59+00 - 54+00

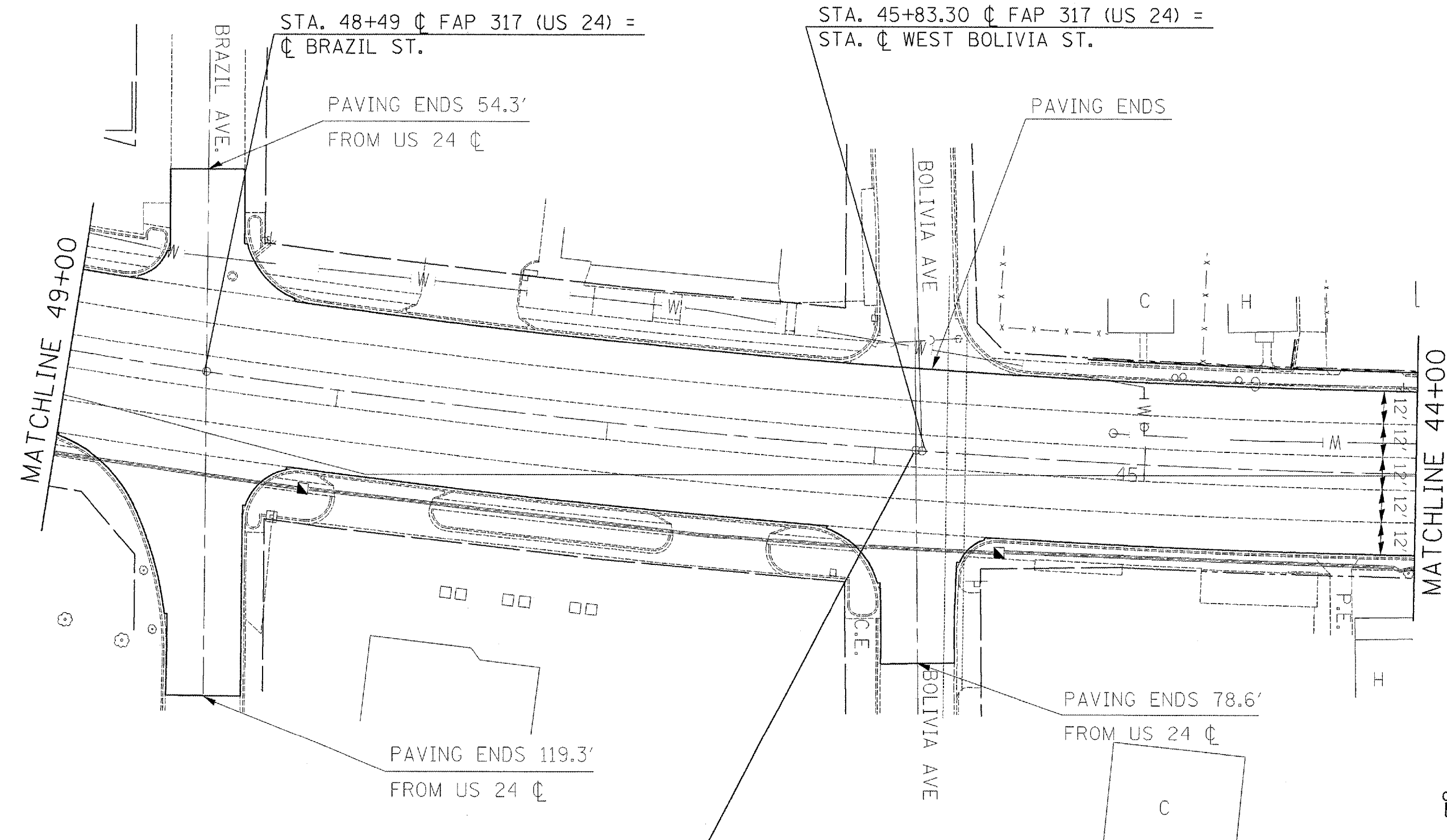
SCALE: VERT. _____
 HORIZ. _____

DATE _____

DRAWN BY _____
 CHECKED BY _____

CONTRACT NO. 68469

F.A.P. RTE.	SECTION	COUNTY	TOTAL SHEETS	SHEET NO.
317	146-1RS-7	PEORIA	62	37
STA.		TO STA.		
FED. ROAD DIST. NO.		ILLINOIS FED. AID PROJECT		



PLOT DATE = 5/3/2007
 FILE NAME = c:\pvc\mets\un24bar\plan sheets.dgn
 PLOT SCALE = 48.0000' / IN.
 USER NAME = conover-pj

REVISIONS	
NAME	DATE

ILLINOIS DEPARTMENT OF TRANSPORTATION
PROPOSED
PLAN SHEETS
STA 49+00 - 44+00

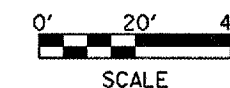
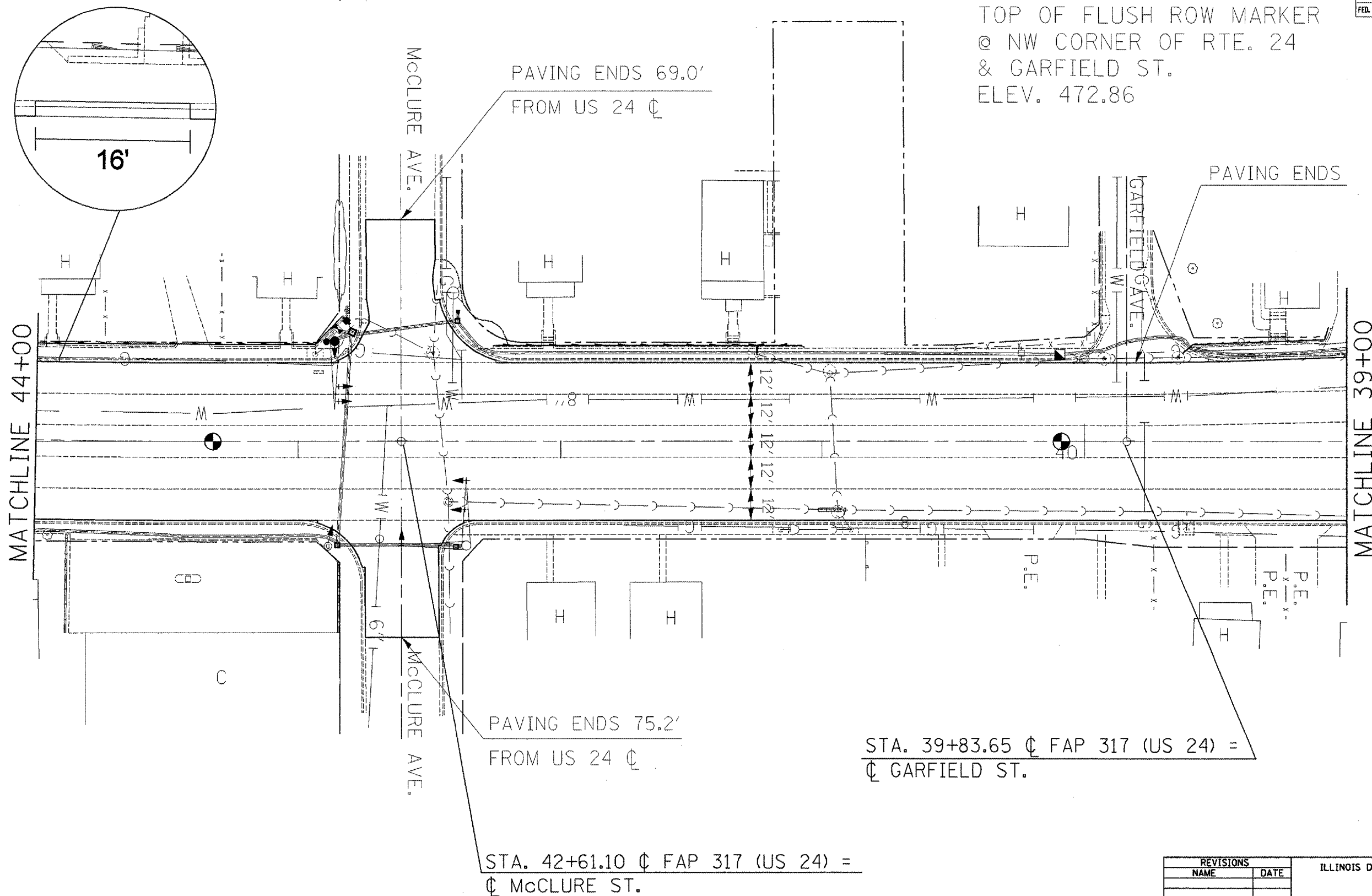
SCALE: VERT. _____
 HORIZ. _____

DATE _____ DRAWN BY _____
 CHECKED BY _____

STA. 45+84.91 \oslash FAP 317 (US 24) =
 \oslash EAST BOLIVIA ST.

F.A.P. RTE.	SECTION	COUNTY	TOTAL SHEETS	SHEET NO.
317	(46-1)RS-7	PEORIA	62	38
STA.	TO STA.			
FED. ROAD DIST. NO.	ILLINOIS	FED. AID PROJECT		

BENCHMARK #1
TOP OF FLUSH ROW MARKER
@ NW CORNER OF RTE. 24
& GARFIELD ST.
ELEV. 472.86



REVISIONS	
NAME	DATE

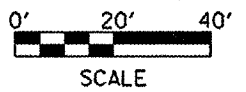
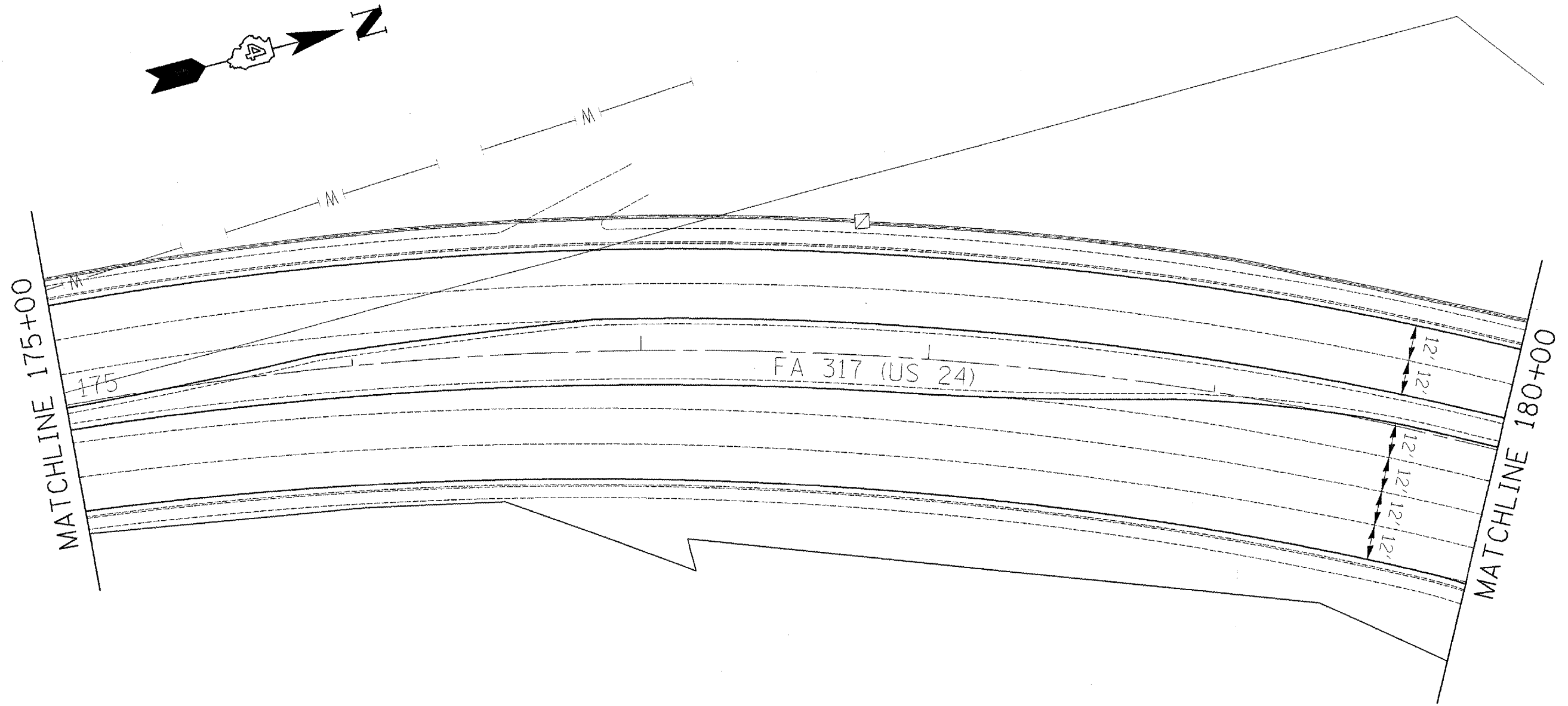
ILLINOIS DEPARTMENT OF TRANSPORTATION
**PROPOSED
PLAN SHEETS**
STA 44+00 - 39+00

SCALE: VERT. _____
HORIZ. _____
DATE _____
DRAWN BY _____
CHECKED BY _____

PLOT DATE = 05/13/2007
FILE NAME = c:\p\proj\secta\us24bar\plan\plan\sheet38.dgn
PLOT SCALE = 48.0000' / IN.
USER NAME = c:\p\proj\secta\us24bar\plan\plan\sheet38.dgn

CONTRACT NO. 68469

F.A.P. RTE.	SECTION	COUNTY	TOTAL SHEETS	SHEET NO.
317	146-11RS-7	PEORIA	62	40
STA.		TO STA.		
FED. ROAD DIST. NO.	ILLINOIS	FED. AID PROJECT		



REVISIONS	
NAME	DATE

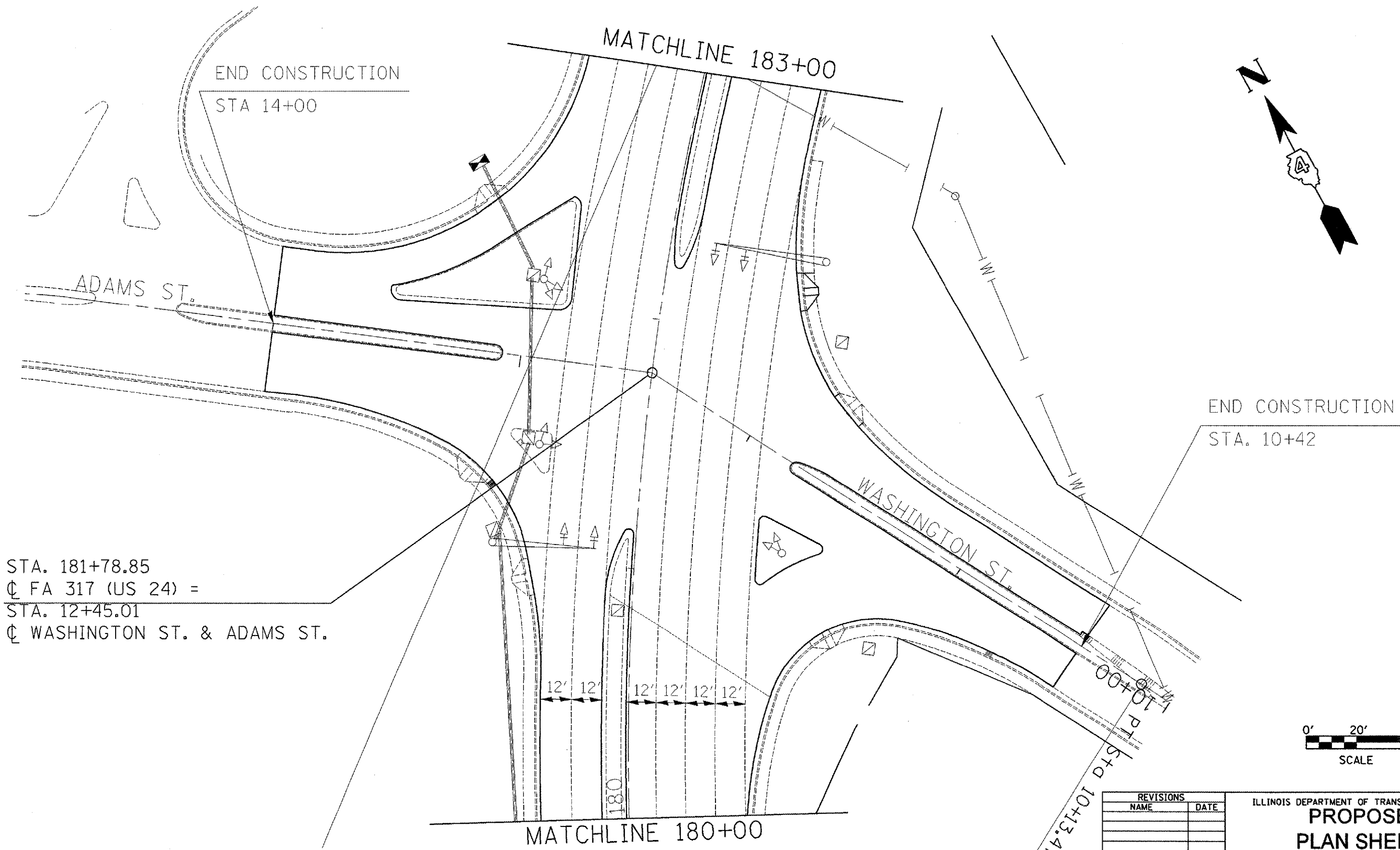
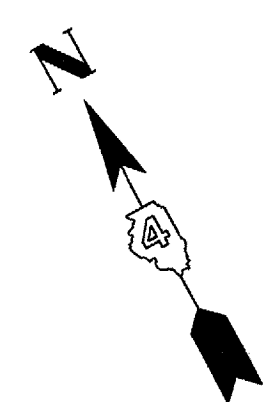
ILLINOIS DEPARTMENT OF TRANSPORTATION
**PROPOSED
 PLAN SHEETS**
STA 175+00 - 180+00

SCALE: VERT. _____
 HORIZ. _____

DATE _____ DRAWN BY _____
 CHECKED BY _____

PLOT DATE = 5/3/2007
 FILE NAME = c:\projects\146-11rs-7\146-11rs-7.dgn
 PLOT SCALE = 1/8" = 40'
 USER NAME = conoverp

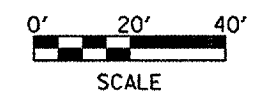
F.A.P. RTE.	SECTION	COUNTY	TOTAL SHEETS	SHEET NO.
317	146-1/RS-7	PEORIA	62	41
STA.		TO STA.		
FED. ROAD DIST. NO.		ILLINOIS	FED. AID PROJECT	



STA. 181+78.85
 C FA 317 (US 24) =
 STA. 12+45.01
 C WASHINGTON ST. & ADAMS ST.

MATCHLINE 180+00

MATCHLINE 183+00



REVISIONS	
NAME	DATE

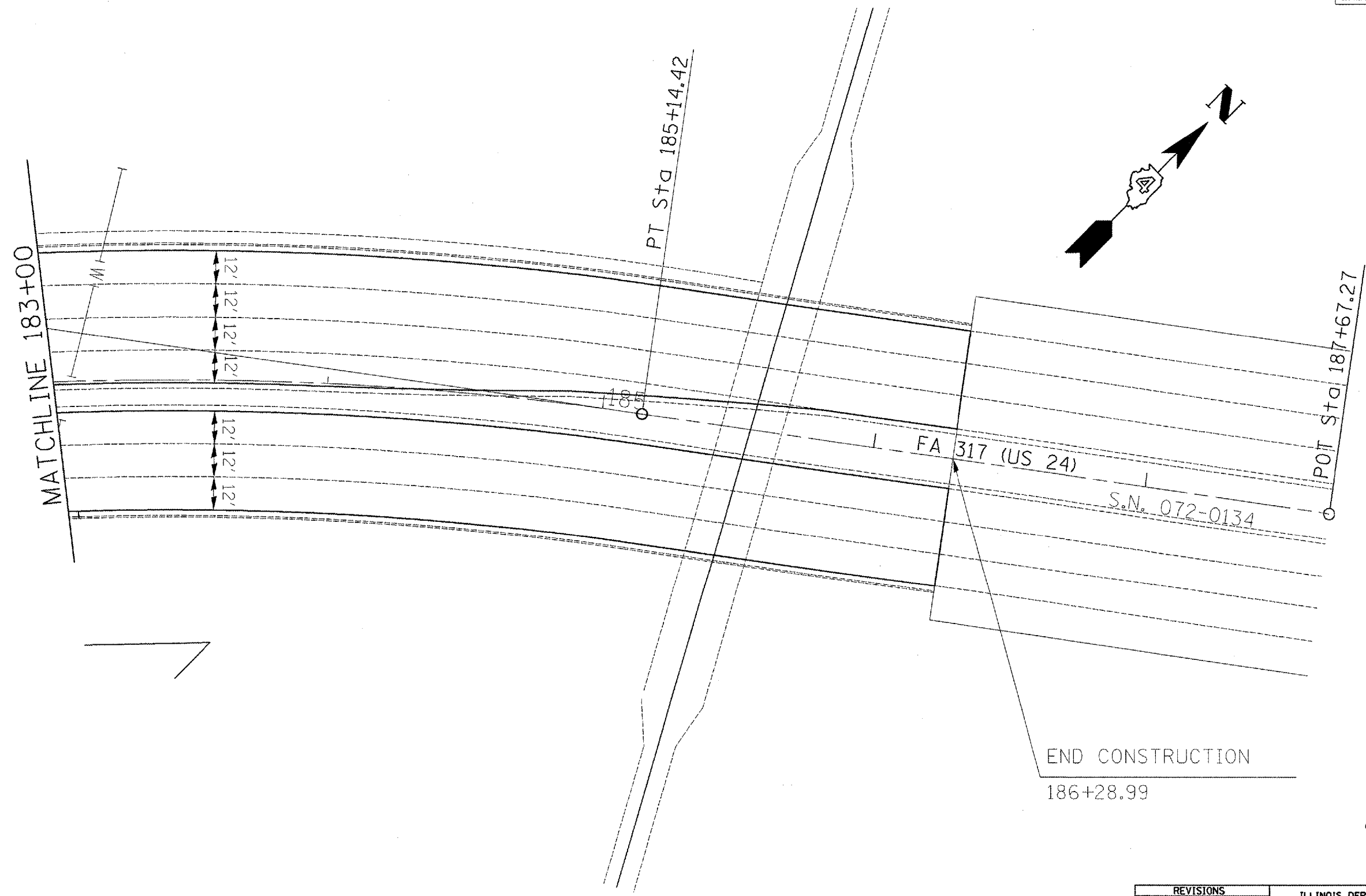
ILLINOIS DEPARTMENT OF TRANSPORTATION
PROPOSED
PLAN SHEETS
STA 180+00 - 183+00

SCALE: VERT. _____
 HORIZ. _____

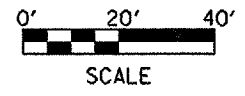
DRAWN BY _____
 CHECKED BY _____

PLOT DATE = 10/3/2007
 FILE NAME = c:\p\proj\peoria\146-1\rs-7\plan\sheet41.dgn
 PLOT SCALE = 48.0000 / IN.
 USER NAME = cconoverpj

F.A.P. RTE.	SECTION	COUNTY	TOTAL SHEETS	SHEET NO.
317	146-1RS-7	PEORIA	62	42
STA.	TO STA.			
FED. ROAD DIST. NO.	ILLINOIS	FED. AID PROJECT		



END CONSTRUCTION
186+28.99



REVISIONS	
NAME	DATE

ILLINOIS DEPARTMENT OF TRANSPORTATION
**PROPOSED
PLAN SHEETS**
STA 183+00 - E.O.P.

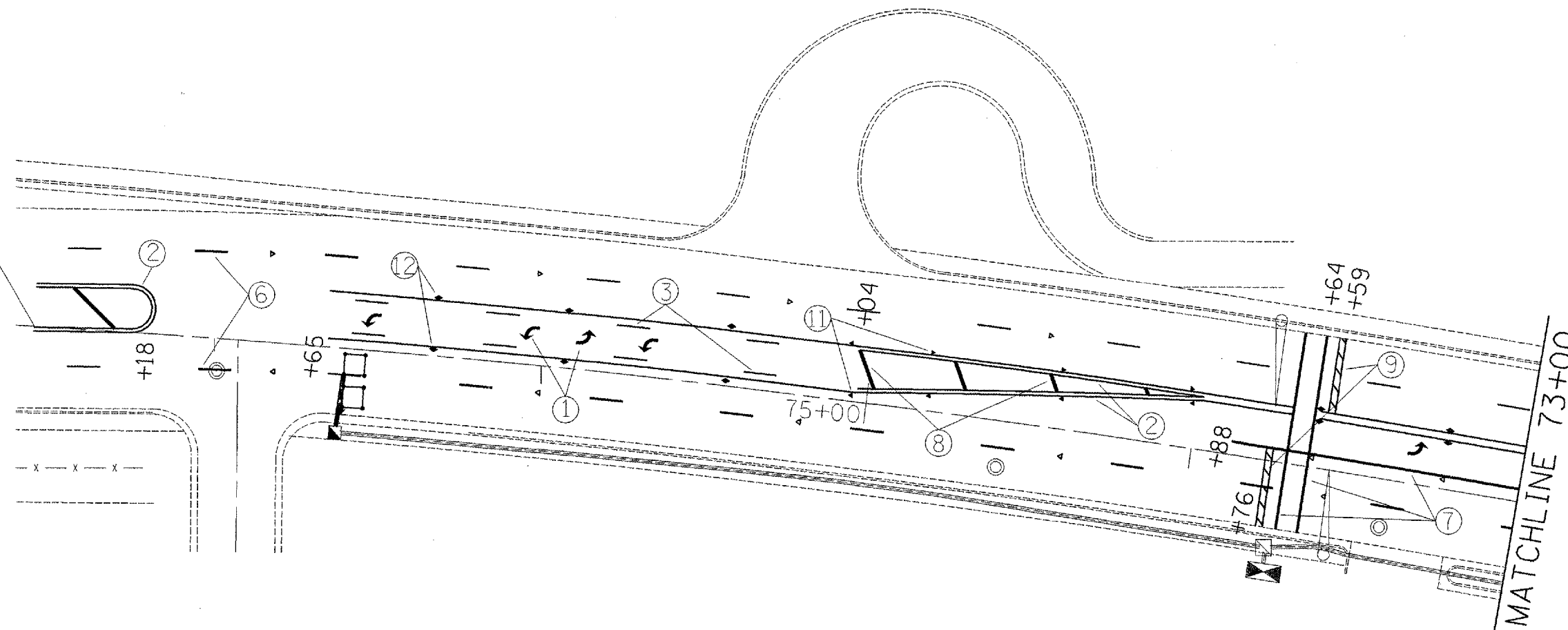
SCALE: VERT. _____
HORIZ. _____
DATE _____ DRAWN BY _____
CHECKED BY _____

PLT DATE = 8/3/2007
FILE NAME = c:\pco\moss\us24bar\plan sheets.dgn
PLT SCALE = 48.0000' / IN.
USER NAME = conoverpj

F.A.P. RTE.	SECTION	COUNTY	TOTAL SHEETS	SHEET NO.
317	146-1RS-7	PEORIA	62	43
STA.		TO STA.		
FED. ROAD DIST. NO.		ILLINOIS	FED. AID PROJECT	



BEGIN CONSTRUCTION
STA. 77+45



- ① THERMOPLASTIC LETTERS & SYMBOLS
- ② 4" YELLOW THERMOPLASTIC DOUBLE LINE
- ③ 4" YELLOW THERMOPLASTIC LINE & SKIP DASH
- ④ 4" YELLOW THERMOPLASTIC LINE
- ⑤ 4" WHITE THERMOPLASTIC LINE
- ⑥ 6" WHITE PREFORMED PLASTIC SKIP DASH
- ⑦ 8" WHITE THERMOPLASTIC LINE
- ⑧ 12" YELLOW THERMOPLASTIC DIAGONAL LINE
- ⑨ 24" WHITE STOP BAR
- ⑩ ONE-WAY CRYSTAL MARKER
- ⑪ ONE-WAY AMBER MARKER
- ⑫ TWO-WAY AMBER MARKER



PLOT DATE = 10/7/2007
FILE NAME = c:\projects\us24\bar\pl\en\sheet.dgn
PLOT SCALE = 48.3098' / IN.
USER NAME = cconoverpj

REVISIONS	
NAME	DATE

ILLINOIS DEPARTMENT OF TRANSPORTATION

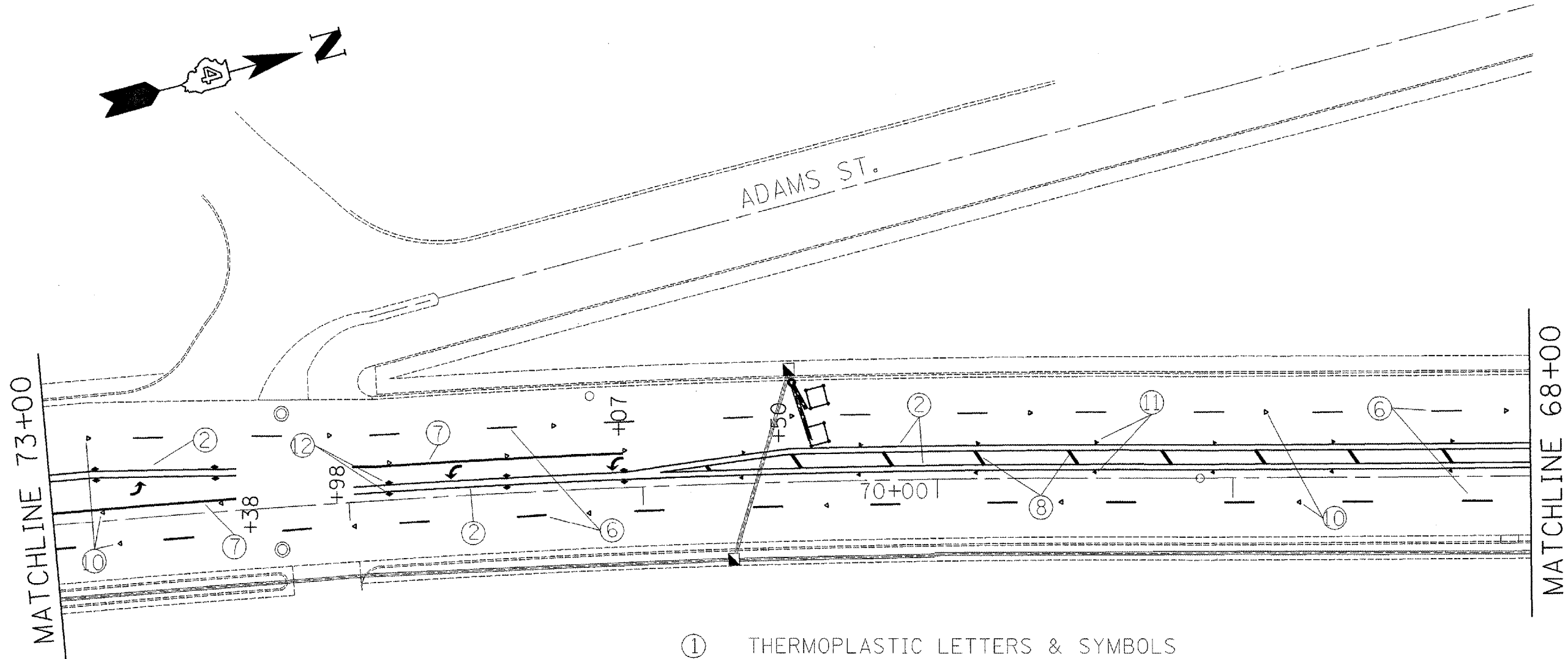
STRIPING

B.O.P. - 73+00

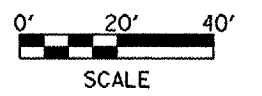
SCALE: VERT. _____
HORIZ. _____

DATE _____ DRAWN BY _____
CHECKED BY _____

F.A.P. RTE.	SECTION	COUNTY	TOTAL SHEETS	SHEET NO.
317	146-1RS-7	PEORIA	62	44
STA.		TO STA.		
FED. ROAD DIST. NO.		ILLINOIS FED. AID PROJECT		



- ① THERMOPLASTIC LETTERS & SYMBOLS
- ② 4" YELLOW THERMOPLASTIC DOUBLE LINE
- ③ 4" YELLOW THERMOPLASTIC LINE & SKIP DASH
- ④ 4" YELLOW THERMOPLASTIC LINE
- ⑤ 4" WHITE THERMOPLASTIC LINE
- ⑥ 6" WHITE PREFORMED PLASTIC SKIP DASH
- ⑦ 8" WHITE THERMOPLASTIC LINE
- ⑧ 12" YELLOW THERMOPLASTIC DIAGONAL LINE
- ⑨ 24" WHITE STOP BAR
- ⑩ ONE-WAY CRYSTAL MARKER
- ⑪ ONE-WAY AMBER MARKER
- ⑫ TWO-WAY AMBER MARKER



REVISIONS	
NAME	DATE

ILLINOIS DEPARTMENT OF TRANSPORTATION

STRIPING

STA 73+00 - 68+00

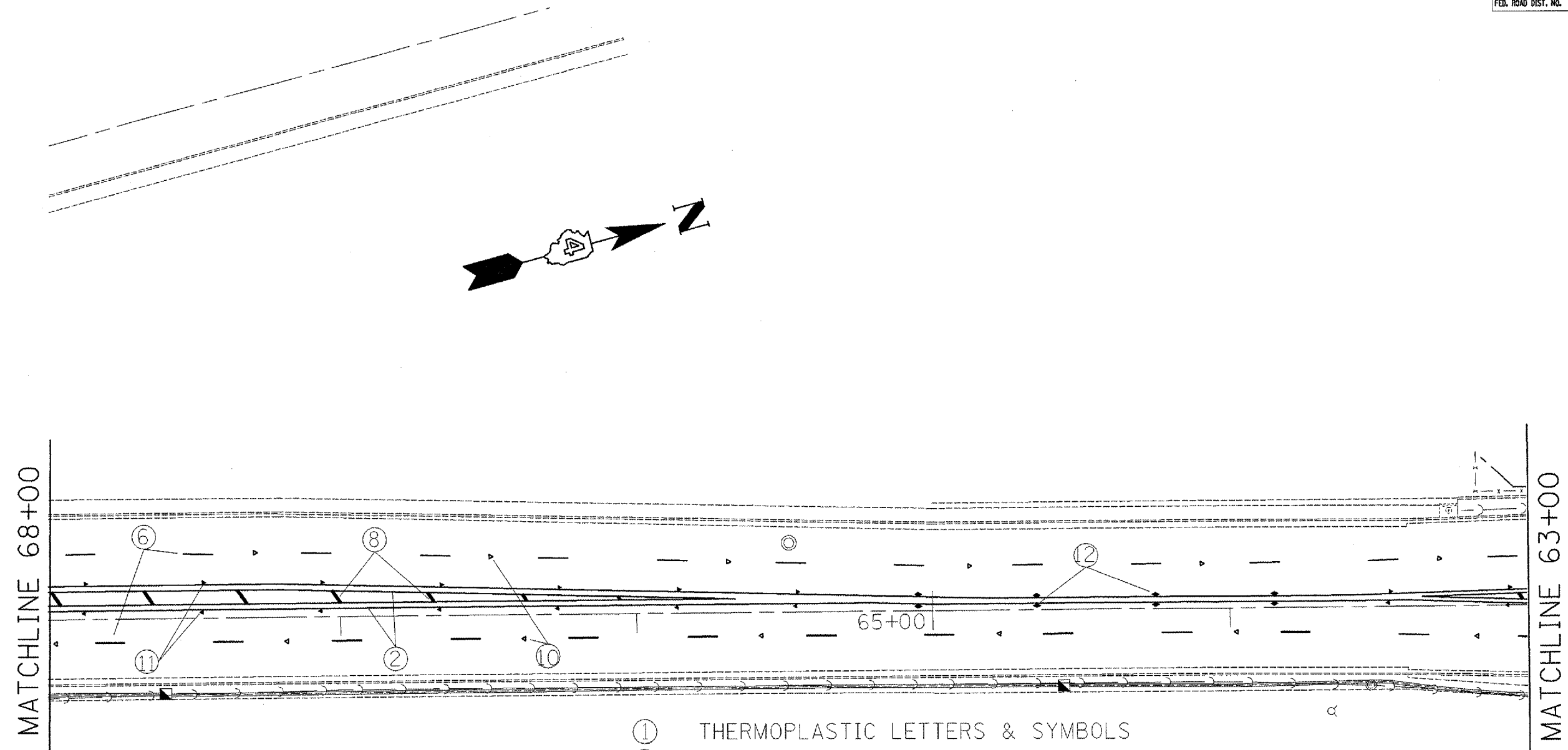
SCALE: VERT. _____
HORIZ. _____

DATE _____

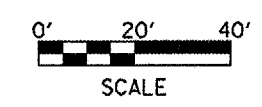
DRAWN BY _____
CHECKED BY _____

PLOT DATE = 8/7/2007
FILE NAME = c:\pco\mst\146-1rs-7\plmshests.dgn
PLOT SCALE = 48,000.00 / IN.
USER NAME = cooverpj

F.A.P. RTE.	SECTION	COUNTY	TOTAL SHEETS	SHEET NO.
317	(46-1)RS-7	PEORIA	62	45
STA.		TO STA.		
FED. ROAD DIST. NO.		ILLINOIS	FED. AID PROJECT	



- ① THERMOPLASTIC LETTERS & SYMBOLS
- ② 4" YELLOW THERMOPLASTIC DOUBLE LINE
- ③ 4" YELLOW THERMOPLASTIC LINE & SKIP DASH
- ④ 4" YELLOW THERMOPLASTIC LINE
- ⑤ 4" WHITE THERMOPLASTIC LINE
- ⑥ 6" WHITE PREFORMED PLASTIC SKIP DASH
- ⑦ 8" WHITE THERMOPLASTIC LINE
- ⑧ 12" YELLOW THERMOPLASTIC DIAGONAL LINE
- ⑨ 24" WHITE STOP BAR
- ⑩ ONE-WAY CRYSTAL MARKER
- ⑪ ONE-WAY AMBER MARKER
- ⑫ TWO-WAY AMBER MARKER



REVISIONS	
NAME	DATE

ILLINOIS DEPARTMENT OF TRANSPORTATION

STRIPING

STA 68+00 - 63+00

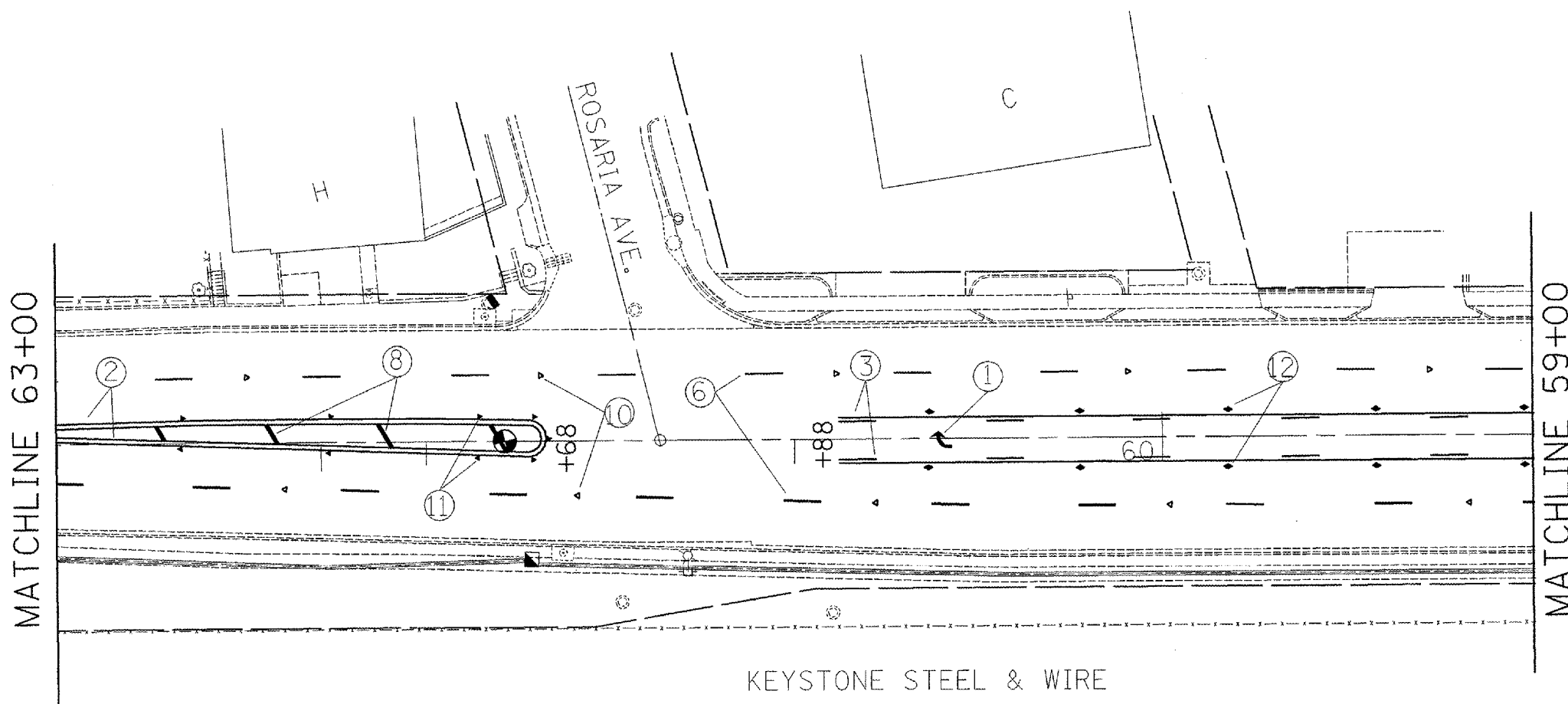
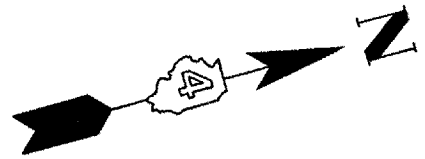
SCALE: VERT. _____
HORIZ. _____

DATE _____

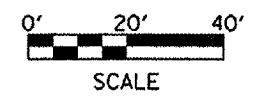
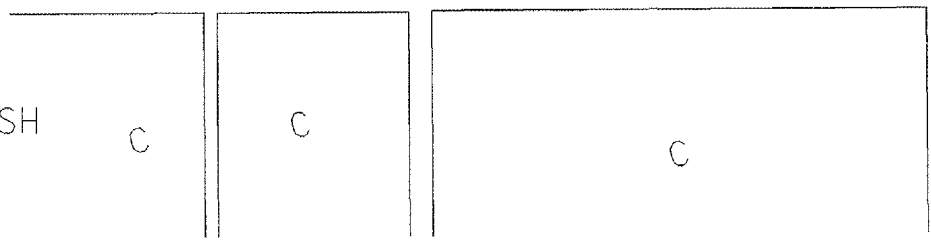
DRAWN BY _____
CHECKED BY _____

PLOT DATE = 8/9/2007
 FILE NAME = D:\Projects\68469\striping\striping.dgn
 PLOT SCALE = 48,000 / IN.
 USER NAME = cconoverp

F.A.P. RTE.	SECTION	COUNTY	TOTAL SHEETS	SHEET NO.
317	146-11RS-7	PEORIA	62	46
STA.		TO STA.		
FED. ROAD DIST. NO.		ILLINOIS FED. AID PROJECT		



- ① THERMOPLASTIC LETTERS & SYMBOLS
- ② 4" YELLOW THERMOPLASTIC DOUBLE LINE
- ③ 4" YELLOW THERMOPLASTIC LINE & SKIP DASH
- ④ 4" YELLOW THERMOPLASTIC LINE
- ⑤ 4" WHITE THERMOPLASTIC LINE
- ⑥ 6" WHITE PREFORMED PLASTIC SKIP DASH
- ⑦ 8" WHITE THERMOPLASTIC LINE
- ⑧ 12" YELLOW THERMOPLASTIC DIAGONAL LINE
- ⑨ 24" WHITE STOP BAR
- ⑩ ONE-WAY CRYSTAL MARKER
- ⑪ ONE-WAY AMBER MARKER
- ⑫ TWO-WAY AMBER MARKER



PLOT DATE = 5/7/2007
 FILE NAME = c:\projects\146-11rs-7\plan\striping.dgn
 PLOT SCALE = 48.0000' / IN.
 USER NAME = cunoverpj

REVISIONS	
NAME	DATE

ILLINOIS DEPARTMENT OF TRANSPORTATION

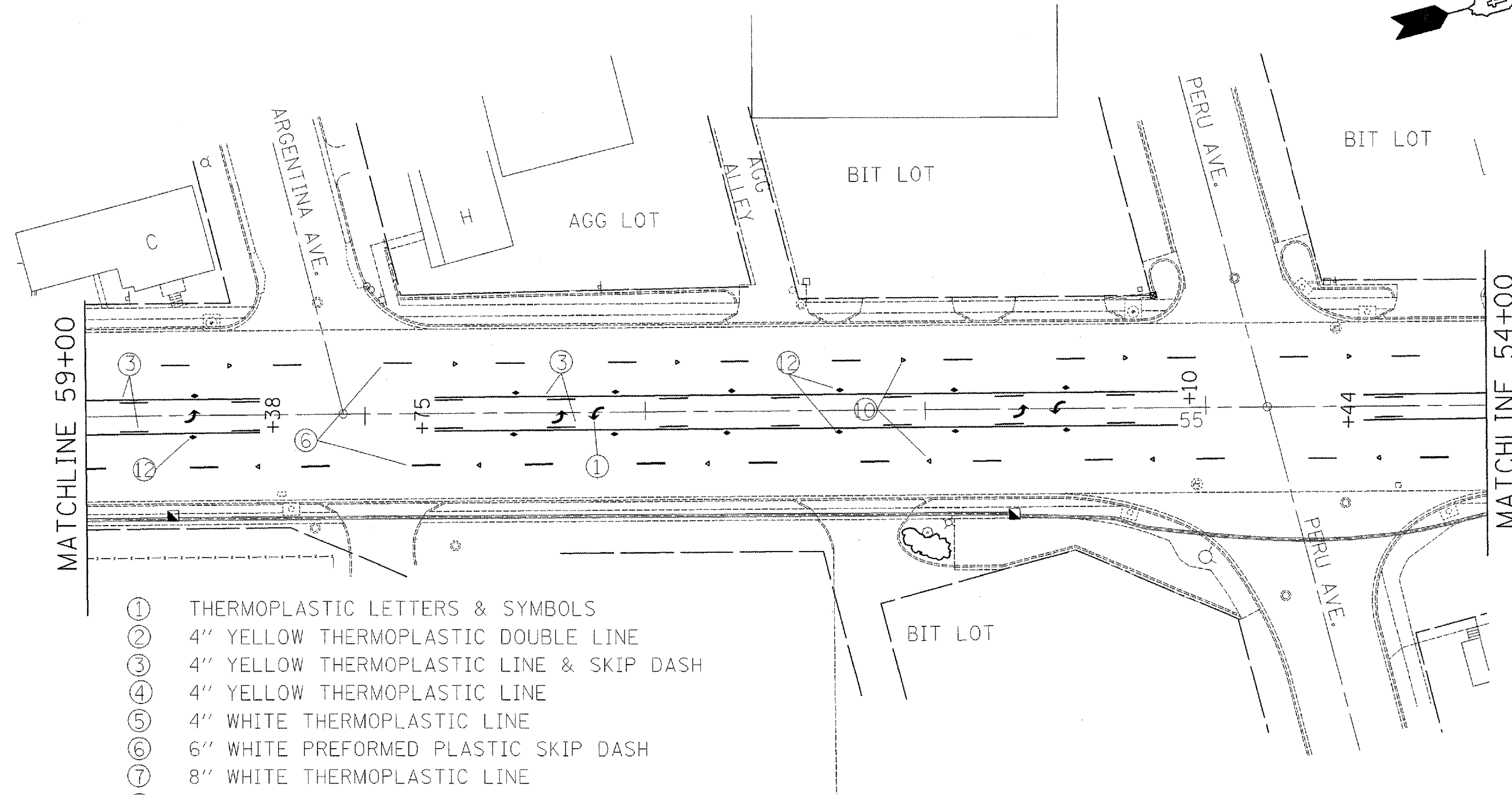
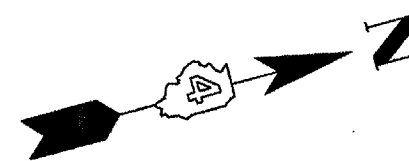
STRIPING

STA 63+00 - 69+00

SCALE: VERT. _____
 HORIZ. _____

DRAWN BY _____
 CHECKED BY _____

F.A.P. RTE.	SECTION	COUNTY	TOTAL SHEETS	SHEET NO.
317	(46-1)RS-7	PEORIA	62	47
STA.	TO STA.			
FED. ROAD DIST. NO.	ILLINOIS	FED. AID PROJECT		



- ① THERMOPLASTIC LETTERS & SYMBOLS
- ② 4" YELLOW THERMOPLASTIC DOUBLE LINE
- ③ 4" YELLOW THERMOPLASTIC LINE & SKIP DASH
- ④ 4" YELLOW THERMOPLASTIC LINE
- ⑤ 4" WHITE THERMOPLASTIC LINE
- ⑥ 6" WHITE PREFORMED PLASTIC SKIP DASH
- ⑦ 8" WHITE THERMOPLASTIC LINE
- ⑧ 12" YELLOW THERMOPLASTIC DIAGONAL LINE
- ⑨ 24" WHITE STOP BAR
- ⑩ ONE-WAY CRYSTAL MARKER
- ⑪ ONE-WAY AMBER MARKER
- ⑫ TWO-WAY AMBER MARKER

REVISIONS	
NAME	DATE

ILLINOIS DEPARTMENT OF TRANSPORTATION

STRIPING

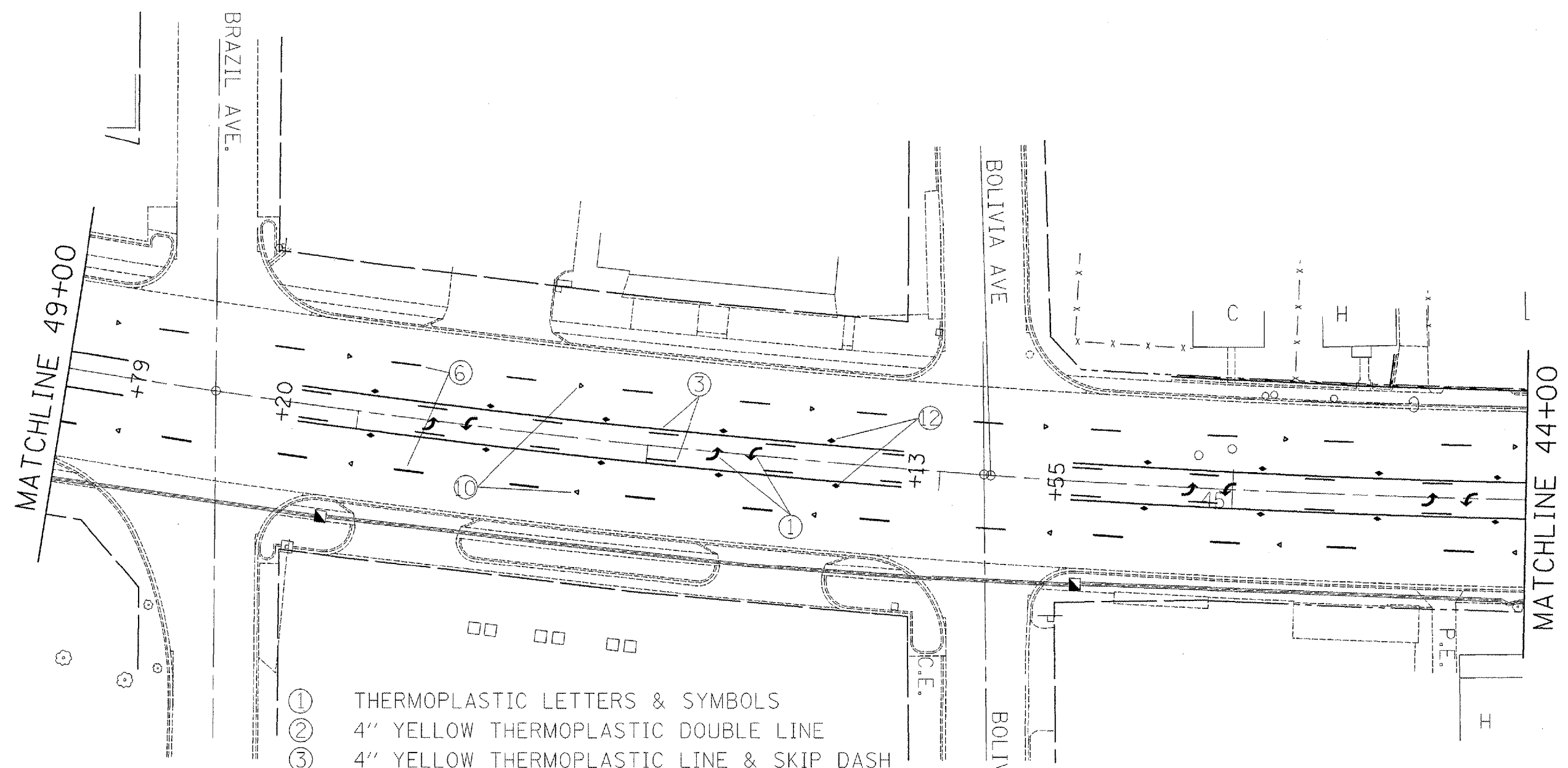
STA 59+00 - 54+00

SCALE: VERT. _____
 DATE: _____ HORIZ. _____

DRAWN BY _____
 CHECKED BY _____

PLT DATE = 8/7/2007
 FILE NAME = c:\projects\111111\111111.dgn
 PLT SCALE = 1/8" = 1' IN.
 USER NAME = jcooper

F.A.P. RTE.	SECTION	COUNTY	TOTAL SHEETS	SHEET NO.
317	(46-1)RS-7	PEORIA	62	49
STA.		TO STA.		
FED. ROAD DIST. NO.		ILLINOIS FED. AID PROJECT		



- ① THERMOPLASTIC LETTERS & SYMBOLS
- ② 4" YELLOW THERMOPLASTIC DOUBLE LINE
- ③ 4" YELLOW THERMOPLASTIC LINE & SKIP DASH
- ④ 4" YELLOW THERMOPLASTIC LINE
- ⑤ 4" WHITE THERMOPLASTIC LINE
- ⑥ 6" WHITE PREFORMED PLASTIC SKIP DASH
- ⑦ 8" WHITE THERMOPLASTIC LINE
- ⑧ 12" YELLOW THERMOPLASTIC DIAGONAL LINE
- ⑨ 24" WHITE STOP BAR
- ⑩ ONE-WAY CRYSTAL MARKER
- ⑪ ONE-WAY AMBER MARKER
- ⑫ TWO-WAY AMBER MARKER



REVISIONS	
NAME	DATE

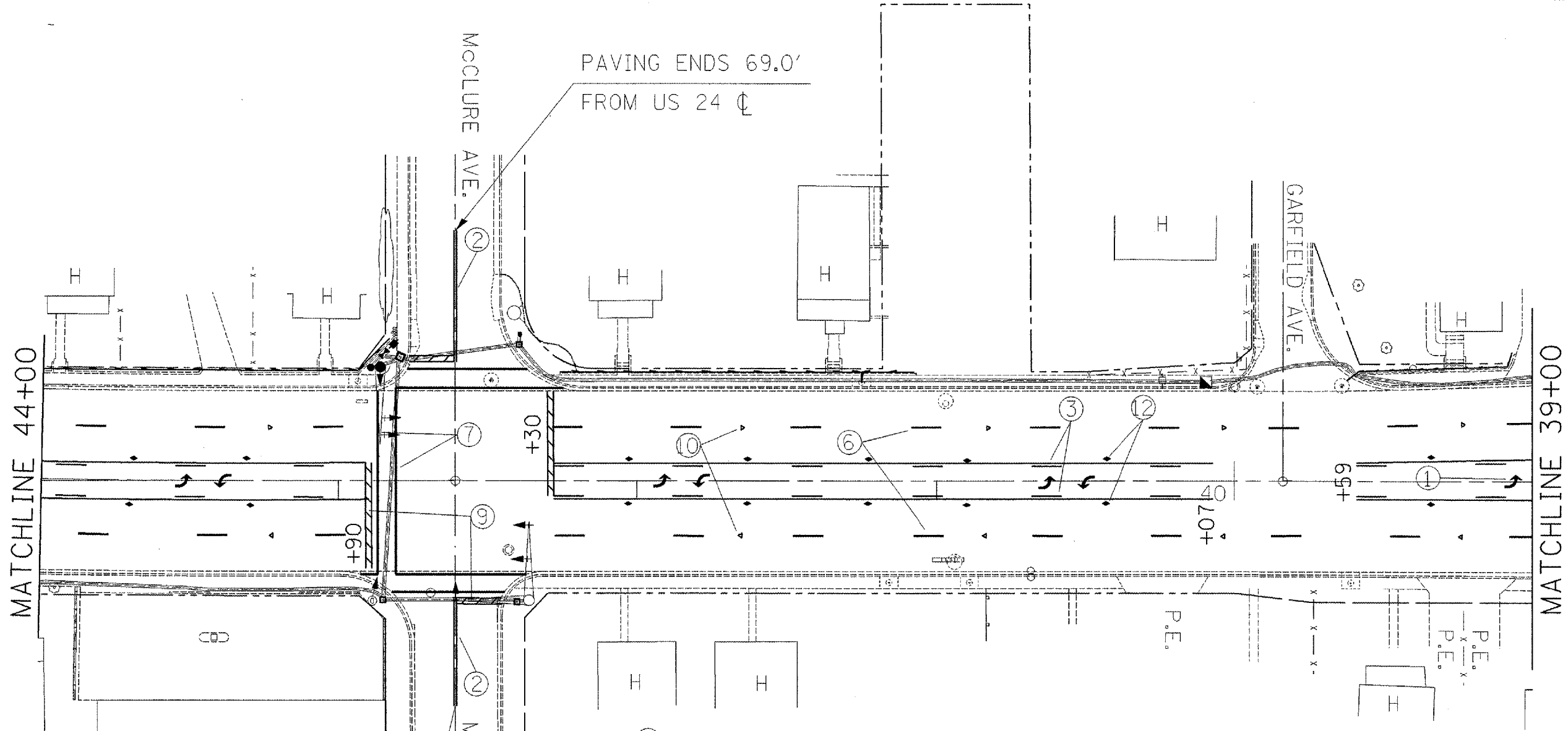
ILLINOIS DEPARTMENT OF TRANSPORTATION
STRIPING
STA 49+00 - 44+00

SCALE: VERT. _____
 HORIZ. _____
 DATE _____

DRAWN BY _____
 CHECKED BY _____

PLT DATE = 5/7/2007
 FILE NAME = \a\24bar\49\striping.plt
 PLT SCALE = 48.0000 / IN.
 USER NAME = obooverp

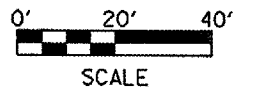
F.A.P. RTE.	SECTION	COUNTY	TOTAL SHEETS	SHEET NO.
317	146-1RS-7	PEORIA	62	50
STA.		TO STA.		
FED. ROAD DIST. NO.		ILLINOIS FED. AID PROJECT		



PAVING ENDS 75.2'
FROM US 24 CL

PAVING ENDS 69.0'
FROM US 24 CL

- ① THERMOPLASTIC LETTERS & SYMBOLS
- ② 4" YELLOW THERMOPLASTIC DOUBLE LINE
- ③ 4" YELLOW THERMOPLASTIC LINE & SKIP DASH
- ④ 4" YELLOW THERMOPLASTIC LINE
- ⑤ 4" WHITE THERMOPLASTIC LINE
- ⑥ 6" WHITE PREFORMED PLASTIC SKIP DASH
- ⑦ 8" WHITE THERMOPLASTIC LINE
- ⑧ 12" YELLOW THERMOPLASTIC DIAGONAL LINE
- ⑨ 24" WHITE STOP BAR
- ⑩ ONE-WAY CRYSTAL MARKER
- ⑪ ONE-WAY AMBER MARKER
- ⑫ TWO-WAY AMBER MARKER



REVISIONS	
NAME	DATE

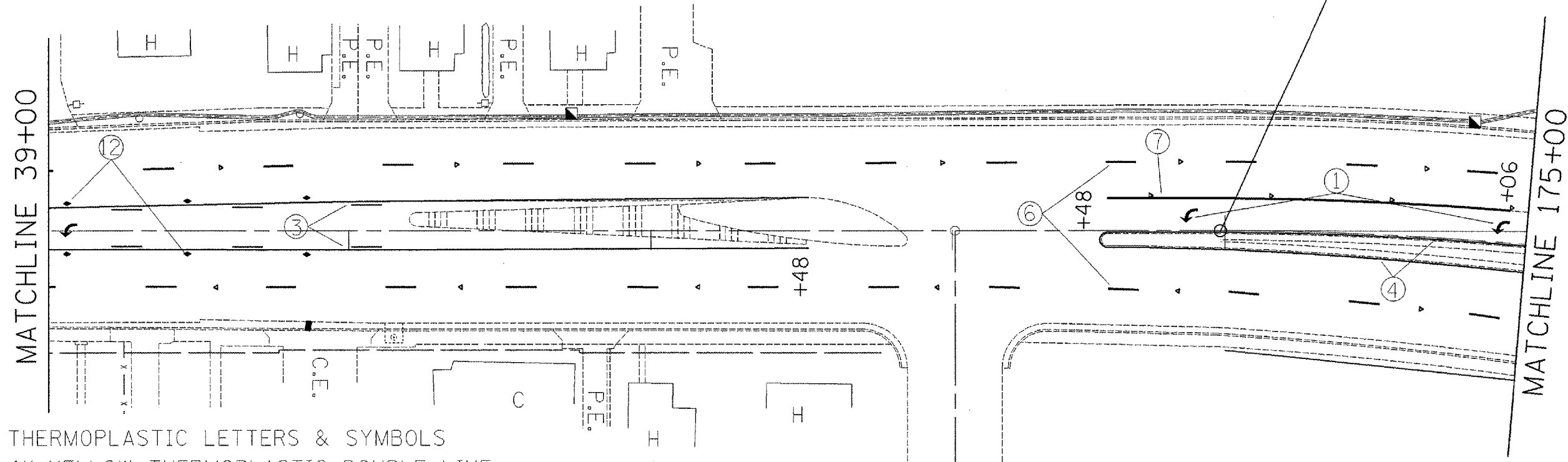
ILLINOIS DEPARTMENT OF TRANSPORTATION
STRIPING
STA 44+00 - 39+00

SCALE: VERT. HORIZ. DATE DRAWN BY CHECKED BY

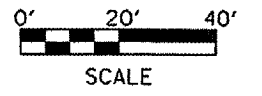
PLOT DATE = 5/7/2007
FILE NAME = c:\pvc\jnotes\24ber\p1\mshests.dgn
PLOT SCALE = 48.0000' / 1" IN.
USER NAME = ccorverpj

F.A.P. RTE.	SECTION	COUNTY	TOTAL SHEETS	SHEET NO.
317	146-URS-7	PEORIA	62	51
STA.		TO STA.		
FED. ROAD DIST. NO.	ILLINOIS	FED. AID PROJECT		

P.O.T. #1 BRASS DISK
 STA. 35+10.53 C U.S. 24
 EQUAL P.C. STA. 173+98.44 B F.A. 10



- ① THERMOPLASTIC LETTERS & SYMBOLS
- ② 4" YELLOW THERMOPLASTIC DOUBLE LINE
- ③ 4" YELLOW THERMOPLASTIC LINE & SKIP DASH
- ④ 4" YELLOW THERMOPLASTIC LINE
- ⑤ 4" WHITE THERMOPLASTIC LINE
- ⑥ 6" WHITE PREFORMED PLASTIC SKIP DASH
- ⑦ 8" WHITE THERMOPLASTIC LINE
- ⑧ 12" YELLOW THERMOPLASTIC DIAGONAL LINE
- ⑨ 24" WHITE STOP BAR
- ⑩ ONE-WAY CRYSTAL MARKER
- ⑪ ONE-WAY AMBER MARKER
- ⑫ TWO-WAY AMBER MARKER



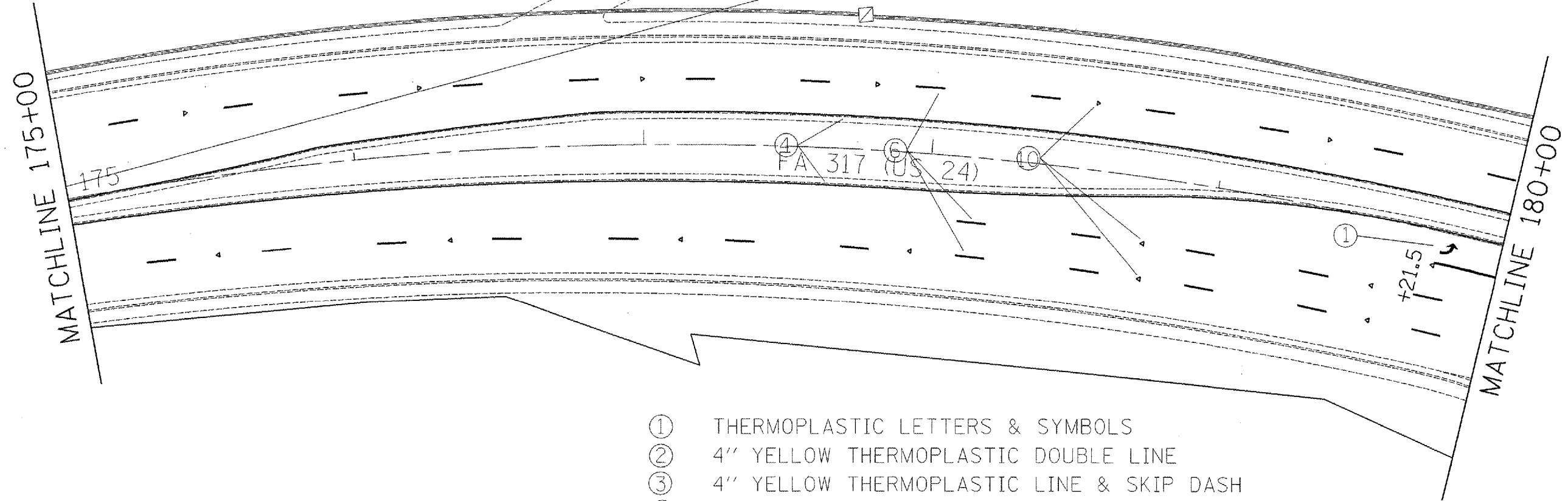
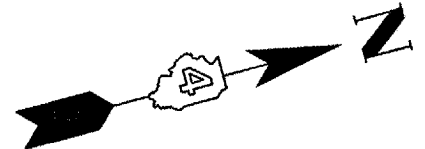
PLOT DATE = 6/7/2007
 FILE NAME = c:\projects\usa2bar\plan\striping.dgn
 PLOT SCALE = 48.0000' / 1" IN.
 USER NAME = coroner@pdj

REVISIONS	
NAME	DATE

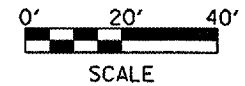
ILLINOIS DEPARTMENT OF TRANSPORTATION
STRIPING
 STA 39+00 - 175+00

SCALE: VERT. HORIZ.
 DATE: DRAWN BY: CHECKED BY:

F.A.P. RTE.	SECTION	COUNTY	TOTAL SHEETS	SHEET NO.
317	(46-1)RS-7	PEORIA	62	52
STA.		TO STA.		
FED. ROAD DIST. NO.		ILLINOIS	FED. AID PROJECT	



- ① THERMOPLASTIC LETTERS & SYMBOLS
- ② 4" YELLOW THERMOPLASTIC DOUBLE LINE
- ③ 4" YELLOW THERMOPLASTIC LINE & SKIP DASH
- ④ 4" YELLOW THERMOPLASTIC LINE
- ⑤ 4" WHITE THERMOPLASTIC LINE
- ⑥ 6" WHITE PREFORMED PLASTIC SKIP DASH
- ⑦ 8" WHITE THERMOPLASTIC LINE
- ⑧ 12" YELLOW THERMOPLASTIC DIAGONAL LINE
- ⑨ 24" WHITE STOP BAR
- ⑩ ONE-WAY CRYSTAL MARKER
- ⑪ ONE-WAY AMBER MARKER
- ⑫ TWO-WAY AMBER MARKER



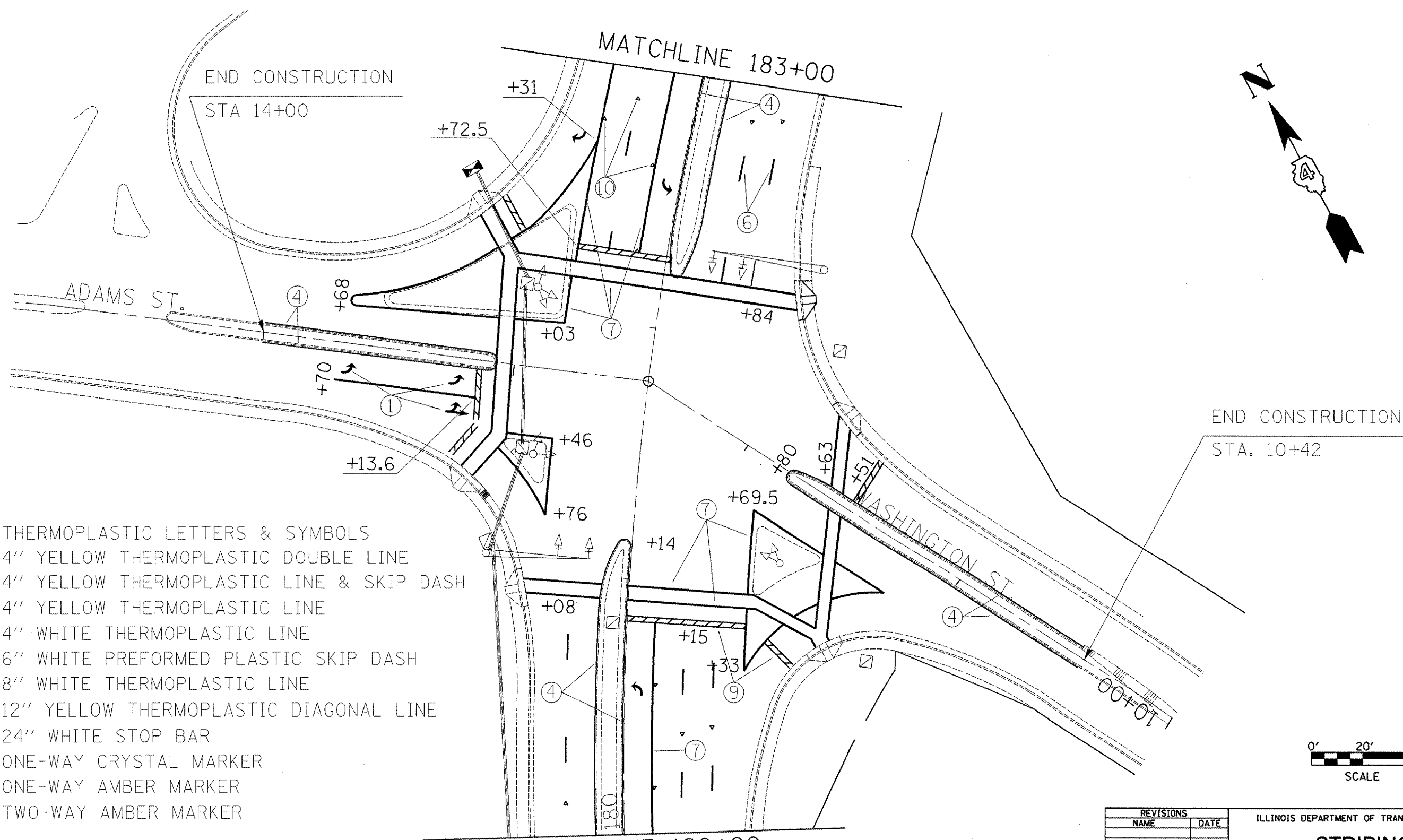
REVISIONS	
NAME	DATE

ILLINOIS DEPARTMENT OF TRANSPORTATION
STRIPING
STA 175+00 - 180+00

SCALE: VERT. _____
HORIZ. _____
DATE _____
DRAWN BY _____
CHECKED BY _____

PLOT DATE = 6/7/2007
FILE NAME = c:\pcc\pcsa\1124bar1\plan\striping.dgn
PLOT SCALE = 40/80000 "/ IN.
USER NAME = cconoverpj

F.A.P. RTE.	SECTION	COUNTY	TOTAL SHEETS	SHEET NO.
317	146-11RS-7	PEORIA	62	53
STA.		TO STA.		
FED. ROAD DIST. NO.		ILLINOIS FED. AID PROJECT		



- ① THERMOPLASTIC LETTERS & SYMBOLS
- ② 4" YELLOW THERMOPLASTIC DOUBLE LINE
- ③ 4" YELLOW THERMOPLASTIC LINE & SKIP DASH
- ④ 4" YELLOW THERMOPLASTIC LINE
- ⑤ 4" WHITE THERMOPLASTIC LINE
- ⑥ 6" WHITE PREFORMED PLASTIC SKIP DASH
- ⑦ 8" WHITE THERMOPLASTIC LINE
- ⑧ 12" YELLOW THERMOPLASTIC DIAGONAL LINE
- ⑨ 24" WHITE STOP BAR
- ⑩ ONE-WAY CRYSTAL MARKER
- ⑪ ONE-WAY AMBER MARKER
- ⑫ TWO-WAY AMBER MARKER

REVISIONS	
NAME	DATE

ILLINOIS DEPARTMENT OF TRANSPORTATION

STRIPING

STA 180+00 - 183+00

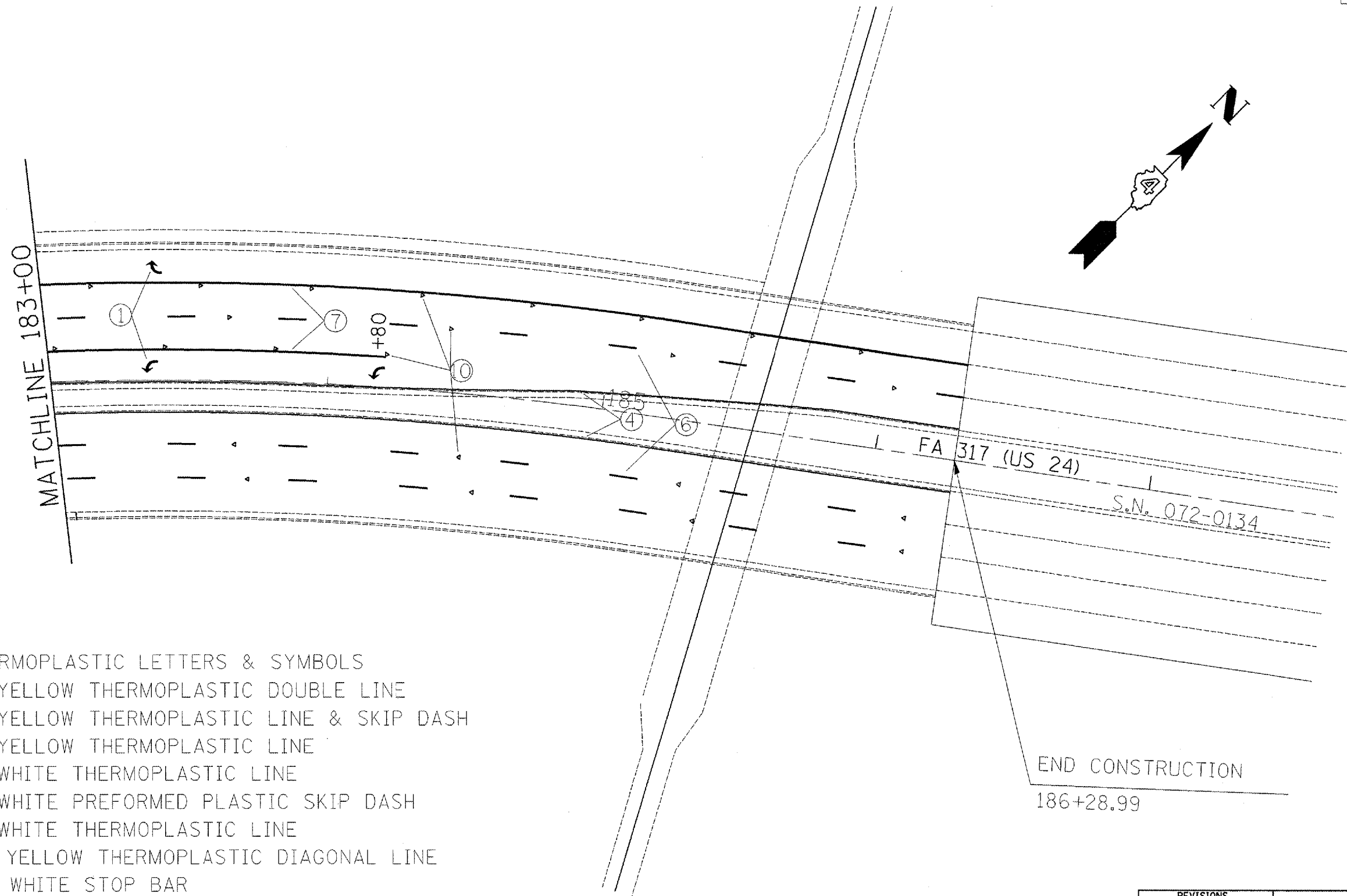
SCALE: VERT. _____
 HORIZ. _____

DATE _____

DRAWN BY _____
 CHECKED BY _____

PLOT DATE = 5/7/2007
 FILE NAME = c:\pva\joc\146-11rs-7\146-11rs-7.dgn
 USER NAME = joc
 USER NAME = joc

CONTRACT NO. 68469			
F.A.P. RTE.	SECTION	COUNTY	TOTAL SHEET NO.
317	46-1RS-7	PEORIA	62 54
STA.	TO STA.		
FED. ROAD DIST. NO.	ILLINOIS	FED. AID PROJECT	



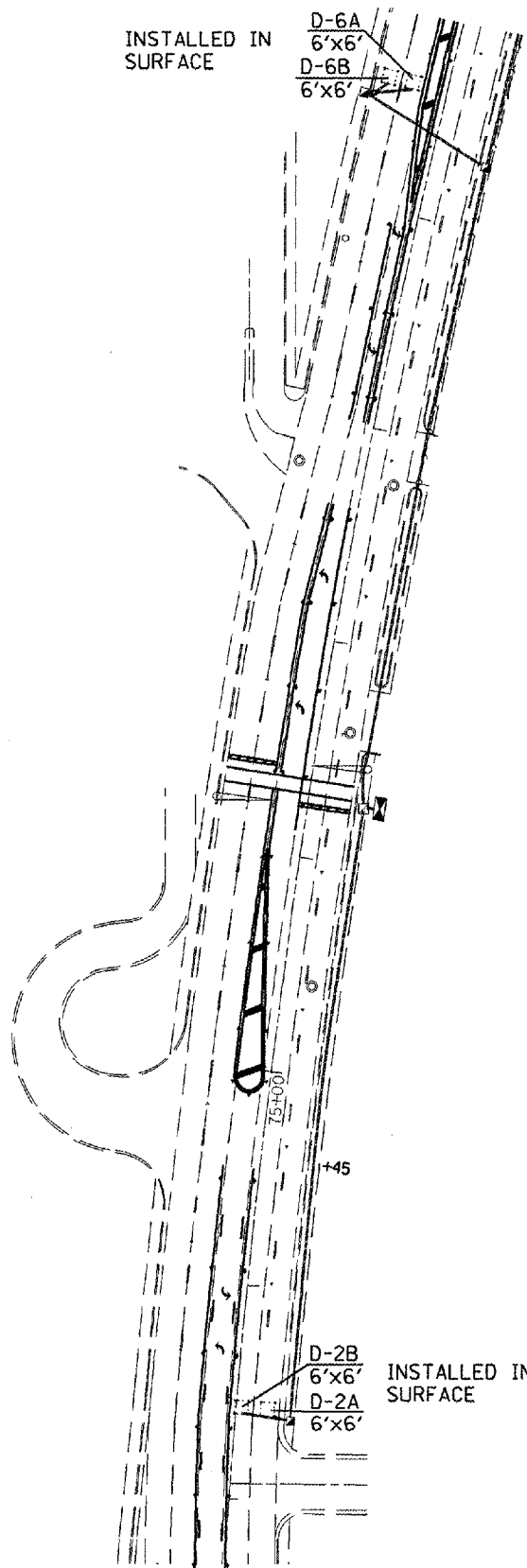
- ① THERMOPLASTIC LETTERS & SYMBOLS
- ② 4" YELLOW THERMOPLASTIC DOUBLE LINE
- ③ 4" YELLOW THERMOPLASTIC LINE & SKIP DASH
- ④ 4" YELLOW THERMOPLASTIC LINE
- ⑤ 4" WHITE THERMOPLASTIC LINE
- ⑥ 6" WHITE PREFORMED PLASTIC SKIP DASH
- ⑦ 8" WHITE THERMOPLASTIC LINE
- ⑧ 12" YELLOW THERMOPLASTIC DIAGONAL LINE
- ⑨ 24" WHITE STOP BAR
- ⑩ ONE-WAY CRYSTAL MARKER
- ⑪ ONE-WAY AMBER MARKER
- ⑫ TWO-WAY AMBER MARKER

PLOT DATE = 05/17/2007
 FILE NAME = c:\p\proj\105\105\105\105\105\105.dgn
 PLOT SCALE = 48.0000 / 1 IN.
 USER NAME = cmoverp

REVISIONS	
NAME	DATE

ILLINOIS DEPARTMENT OF TRANSPORTATION
STRIPING
STA 183+00 - E.O.P.
 SCALE: VERT. HORIZ.
 DATE DATE
 DRAWN BY
 CHECKED BY

F.A.P. RTE.	SECTION	COUNTY	TOTAL SHEETS	SHEET NO.
317	(46-1)RS-7	PEORIA	62	55
STA.		TO STA.		
FED. ROAD DIST. NO.	ILLINOIS	FED. AID PROJECT		



TRAFFIC SIGNAL LEGEND

EXISTING DETECTOR LOOP (6' X 6')

CONSTRUCTION NOTES

1. DETECTOR LOOP REPLACEMENT QUANTITIES ARE ESTIMATED. THE CONTRACTOR SHALL ONLY REPLACE THE DETECTOR LOOPS THAT ARE DAMAGED BY THE MILLING PROCESS.
2. A TYPE II SPLICE SHALL BE USED FOR ALL DETECTOR LEAD-INS.
3. ALL DETECTOR LOOPS SHALL BE PLACED BACK INTO THEIR ORIGINAL LOCATIONS.
4. THE PROPOSED DETECTOR LOOPS SHALL BE CUT INTO THE MILLED SURFACE BEFORE THE FINAL OVERLAY.
5. ALL LOOP RISERS AFFECTED BY THE MILLING OPERATIONS SHALL BE REFLECTED THROUGH THE NEW SURFACE AND ALL LOOP RISERS SHALL BE CHIPPED OUT AND FILLED WITH EPOXY.
6. THE CONTRACTOR SHALL BE RESPONSIBLE FOR LOCATING EXISTING IDOT ELECTRICAL FACILITIES AT HIS/HER OWN EXPENSE, IF REQUIRED. PRIOR TO PERFORMING ANY WORK, THE CONTRACTOR SHALL ALSO BE LIABLE FOR ANY DAMAGE TO IDOT FACILITIES RESULTING FROM INACCURATE LOCATING.
7. THE CONTRACTOR SHALL NOTIFY THE ENGINEER OF TRAFFIC, RANDY LANINGA, AT (309)671-4477 FORTY-EIGHT HOURS PRIOR TO BEGINNING MILLING OPERATIONS.
8. THESE ITEMS SHALL BE INCLUDED IN THE BID PRICE FOR DETECTOR LOOP, TYPE I. THERE WILL BE NO ADDITIONAL COMPENSATION.

DETECTOR LOOP, TYPE I	
LOCATION	FEET
US 24 @ KEYSTONE	168.0

NOT TO SCALE

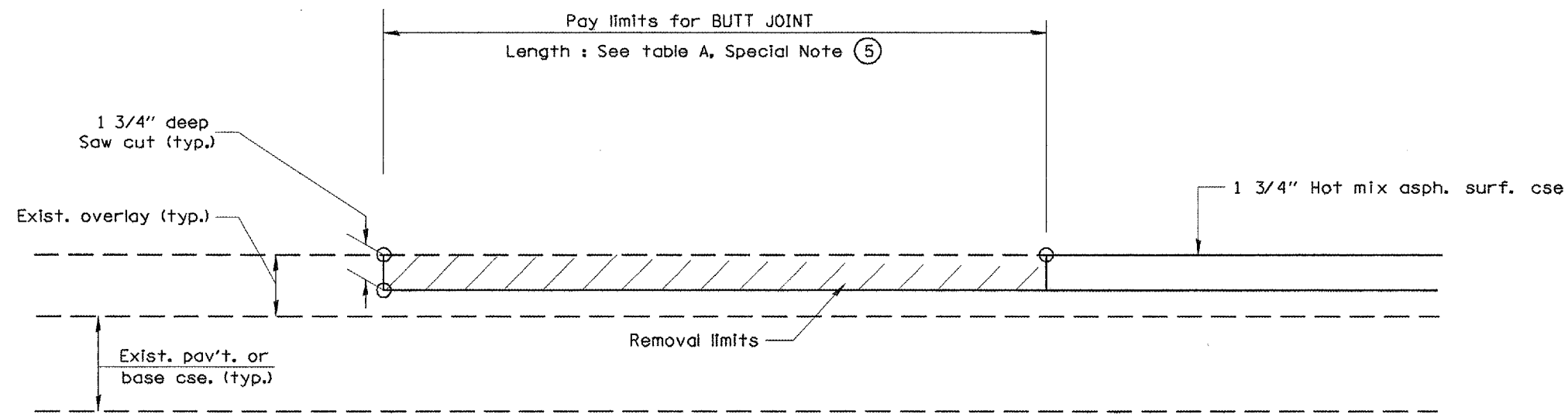
REVISIONS	
NAME	DATE

ILLINOIS DEPARTMENT OF TRANSPORTATION
 EXISTING AND PROPOSED
 DETECTOR LOOPS
 U.S. 24 @ KEYSTONE

SCALE: VERT.
 DATE: HORIZ.

DRAWN BY
 CHECKED BY

F.A.P. RTE.	SECTION	COUNTY	TOTAL SHEETS	SHEET NO.
317	146-1RS-7	PEORIA	62	56
STA.		TO STA.		
FED. ROAD DIST. NO.		ILLINOIS FED. AID PROJECT		



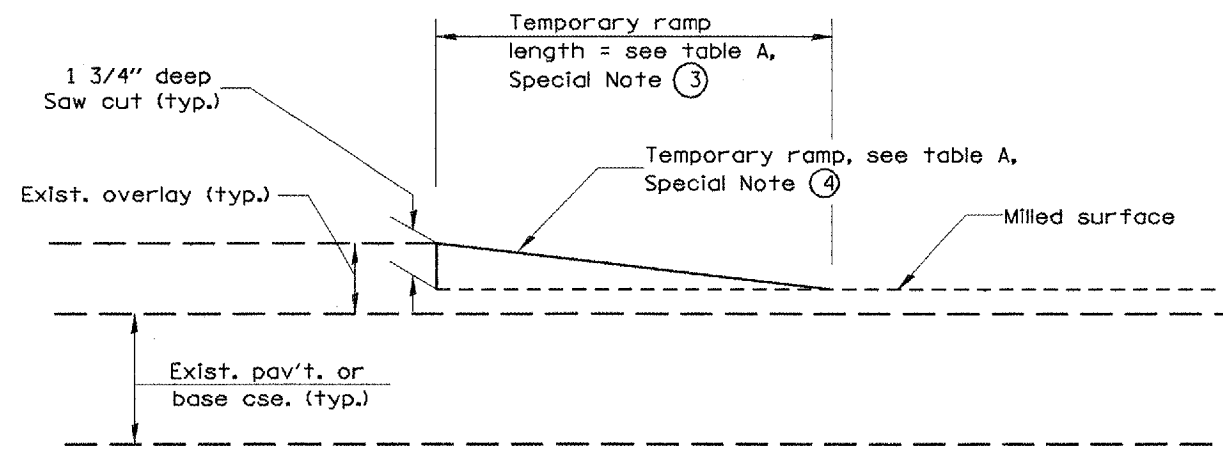
**WITH HOT MIX ASPHALT SURFACE REMOVAL (COLD MILLING)
TIE-IN TO EXISTING BITUMINOUS TAPER**

**TABLE A
(LENGTHS AND TAPER RATES)**

SPECIAL NOTE NUMBER	ELEMENT	MAINLINE INTERSTATES & 4-LANE EXPRESSWAYS	ALL OTHERS
①	LENGTH OF BUTT JOINT	60'(18.0 m)	30'(9.0 m)
②	PERMANENT TAPER RATE	1:480	1:240
③	TEMPORARY RAMP TAPER RATE	1:80	1:40
④	TEMPORARY RAMP LENGTH	10'(3.0 m)	5'(1.5 m)
⑤	LENGTH OF BUTT JOINT	10'(3.0 m)	10'(3.0 m)

GENERAL NOTES

1. The work shall be done in accordance with Article 406.08 and the Special Provision for Butt Joints.
2. The pavement surface to be removed may be either bituminous or P.C. concrete. The work shall be performed in accordance with Article 440.04 and the Special Provisions for Butt Joints.
3. The saw cut joints shall be primed just prior to the placing of bituminous material. The work will be in accordance with the applicable portions of Article 406.05.



DETAIL TEMPORARY RAMP

All dimensions are in inches (millimeters) unless otherwise noted.

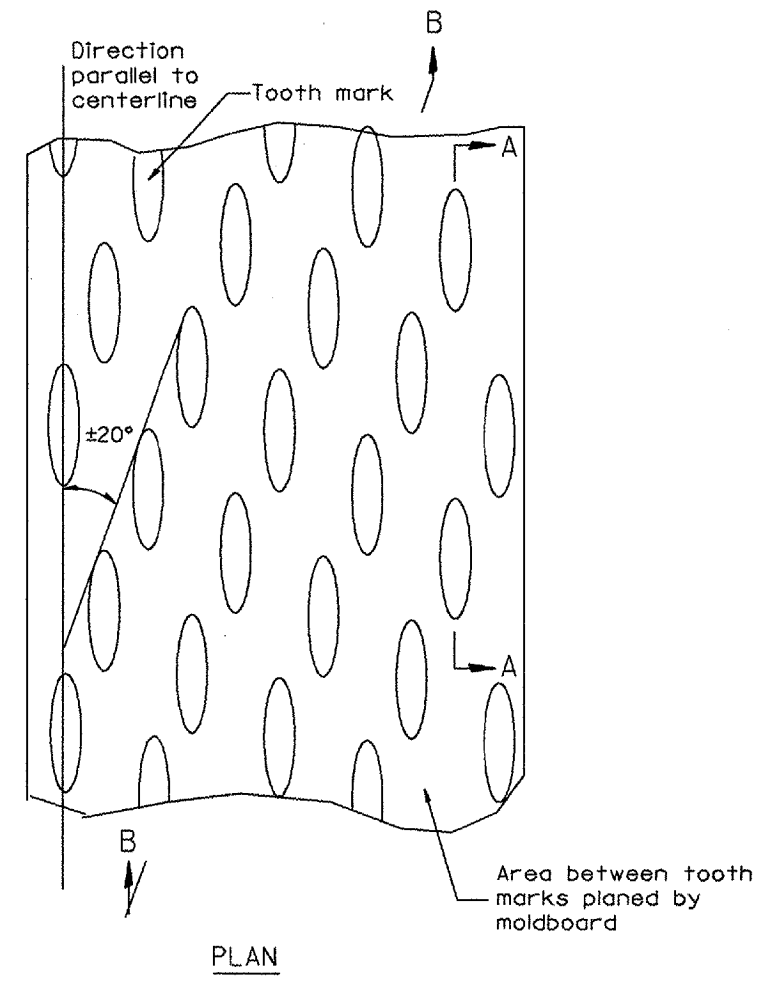
ILLINOIS DEPARTMENT OF TRANSPORTATION

DATE	REVISIONS	BY

**BUTT JOINT AND
TEMPORARY RAMP
DETAILS**

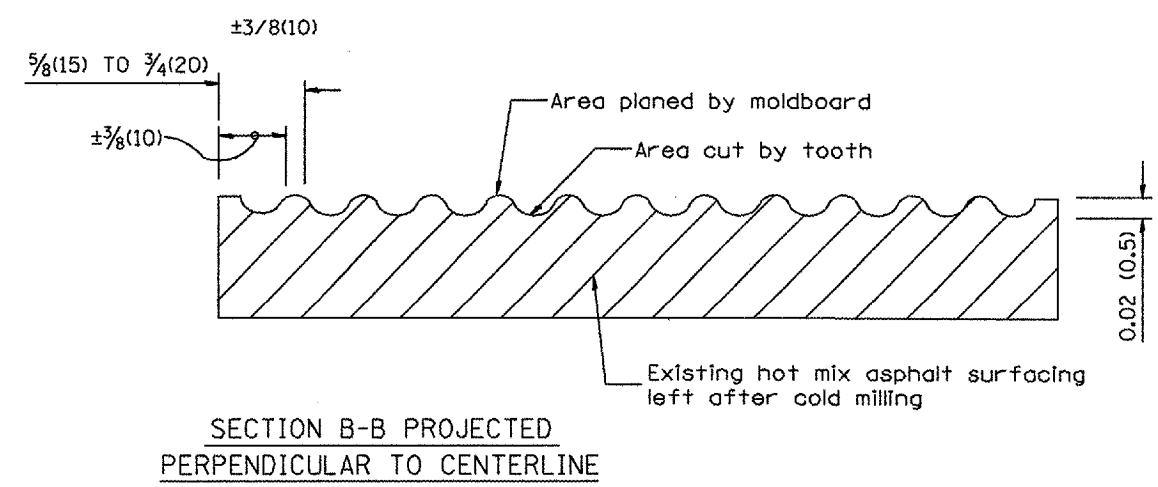
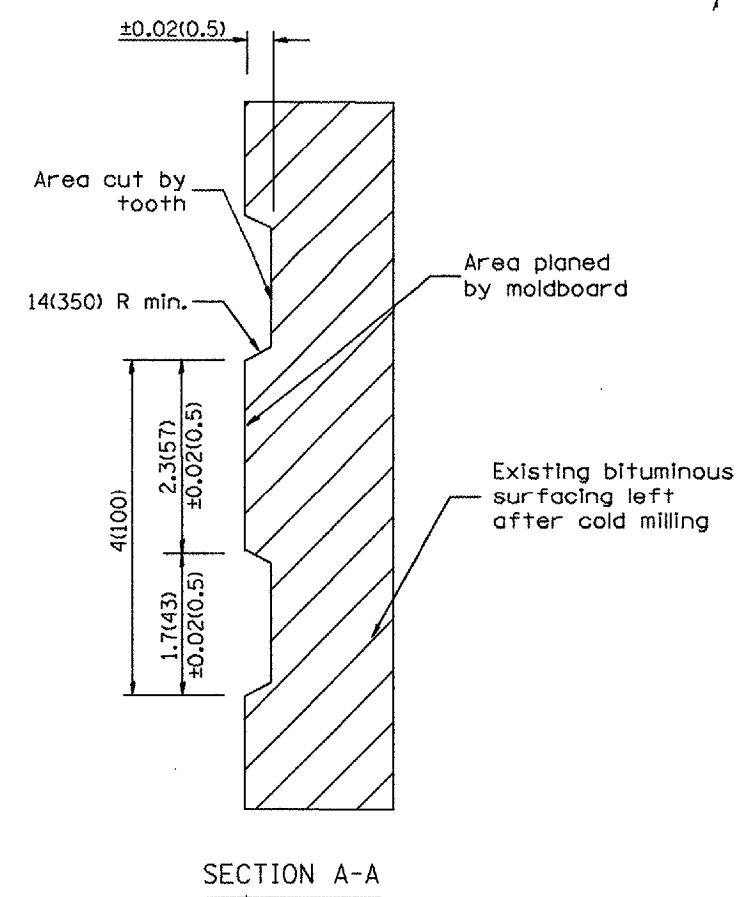
SCALE: NOT DRAWN TO SCALE DRAWN BY CADD
DATE CHECKED BY

F.A. RTE.	SECTION	COUNTY	TOTAL SHEETS	SHEET NO.
317	146-1JRS-7	PEORIA	62	57
STA.		TO STA.		
FED. ROAD DIST. NO.		ILLINOIS FED. AID PROJECT		



General notes:

1. Coldmilling shall consist of two processes: Cutting with carbide teeth mounted on a rotating drum, and planing with a moldboard mounted immediately behind the cutting drum.
2. Other similar patterns will be acceptable if they consist of a smooth, flat, planed surface interspersed with a pattern of discontinuous longitudinal striations.



All dimensions are in inches (millimeters) unless otherwise noted.

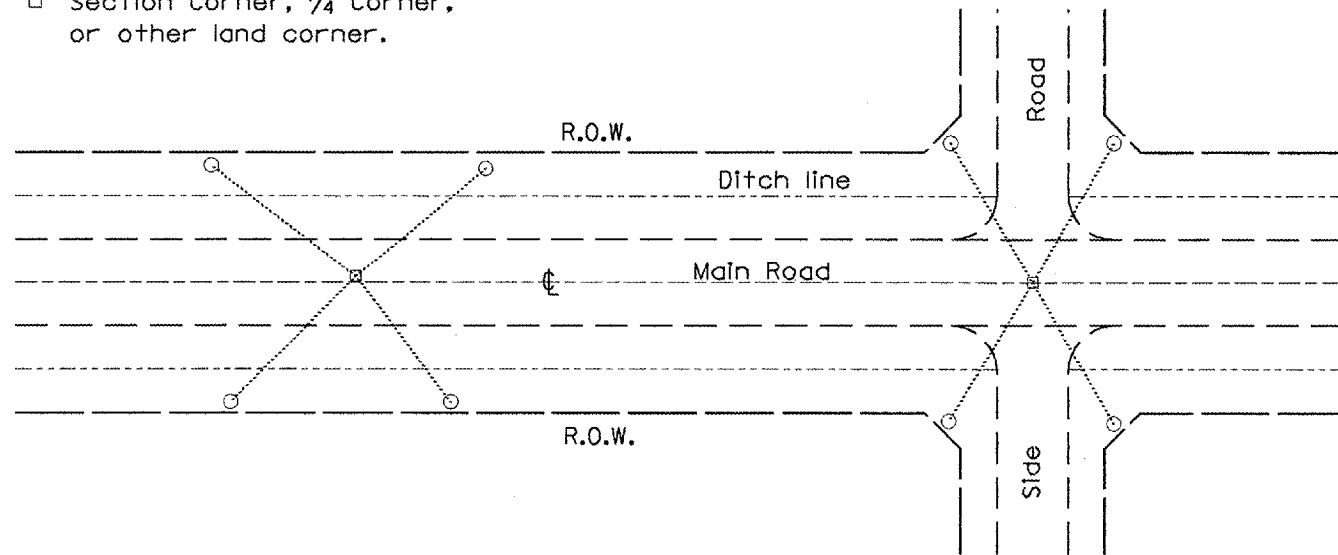
DATE	REVISIONS	BY
1-1-97	RENUM. C-104.01. NEW REVISION BOX	T. P.
4-20-98	REMOVED MILLING DETAIL FROM STD.	J. A.
9-08-98	CORRECT NOTE LEADER PLACEMENT	R. W.
10-16-06	REVISED TO 2007 SPEC.	M.A.

ILLINOIS DEPARTMENT OF TRANSPORTATION
 DISTRICT CADD STANDARD
HOT MIX ASPHALT SURFACE REMOVAL (COLD MILLING)
 CADD STD NO. 440001-D4
 SCALE: NOT DRAWN TO SCALE
 DRAWN BY CADD
 CHECKED BY

F.A.P. RTE.	SECTION	COUNTY	TOTAL SHEETS	SHEET NO.
317	(46-1)RS-7	PEORIA	62	58
STA.		TO STA.		
FED. ROAD DIST. NO.		ILLINOIS FED. AID PROJECT		

PERMANENT SURVEY TIES

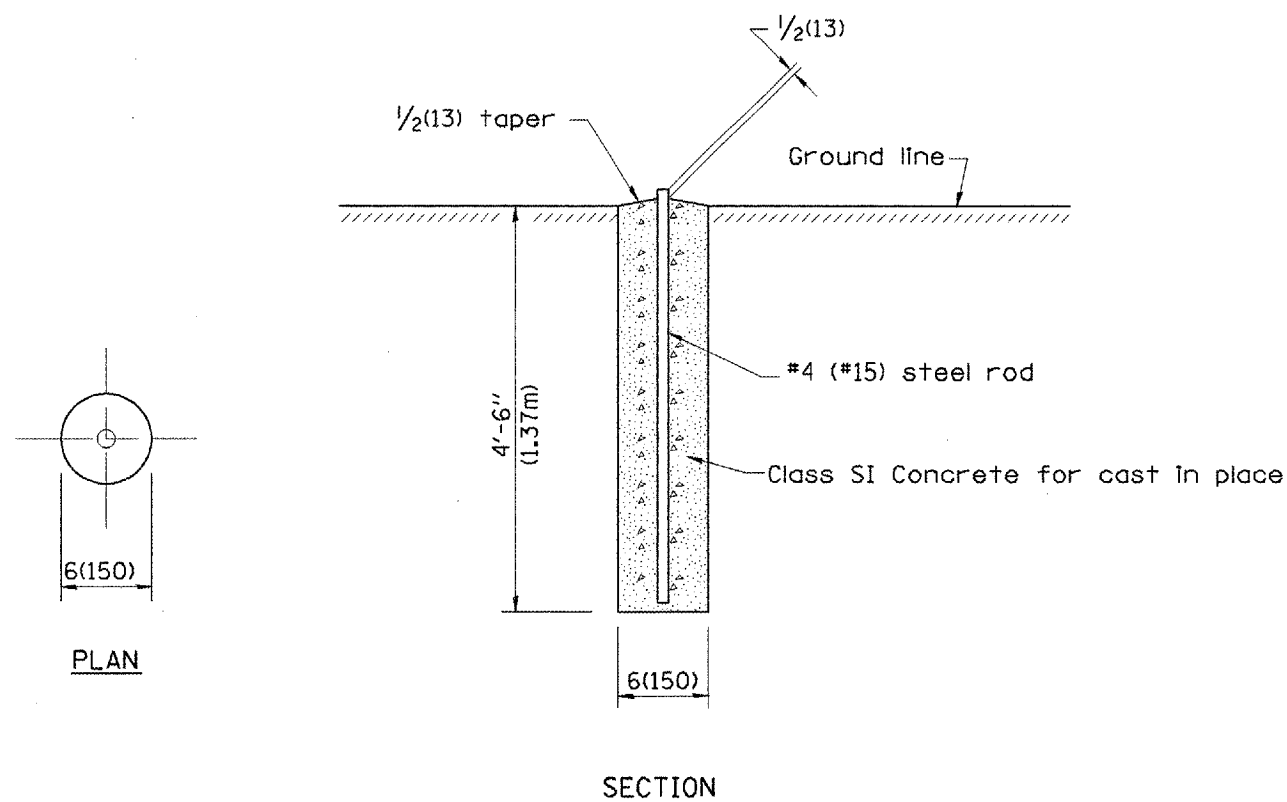
- Permanent Survey Tie
- Section Corner, 1/4 Corner, or other land corner.



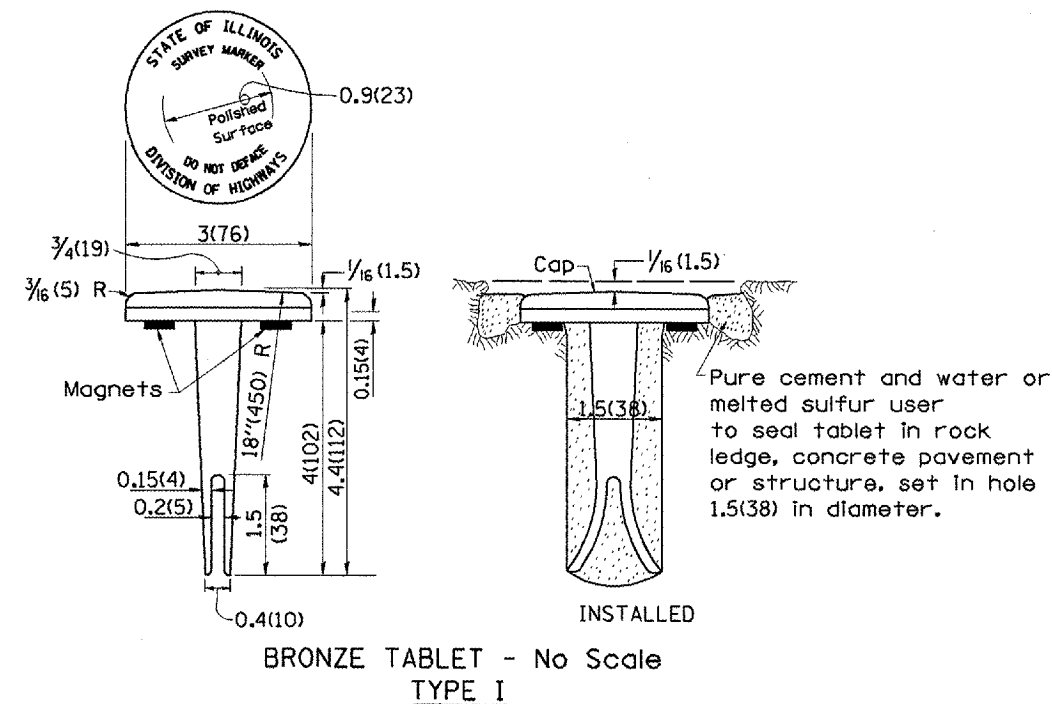
TYPICAL APPLICATION

GENERAL NOTES

1. The marker shall be cast in place of Class SI Concrete.
2. Tie marker shall be installed after the final seeding has been completed unless otherwise specified by the Engineer.
3. The tie distances to the section corner shall be measured and recorded by the IDOT Chief of Surveys.



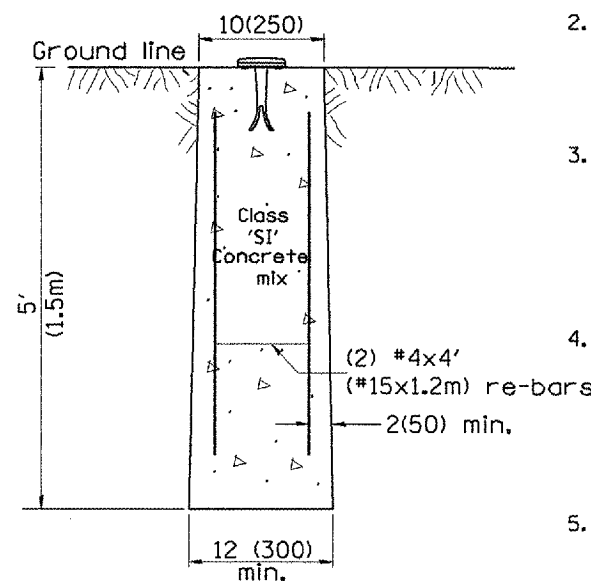
PERMANENT SURVEY MARKERS



BRONZE TABLET - No Scale
TYPE I

GENERAL NOTES

1. All type II markers shall be cast in place, and precast markers will not be allowed.
2. Two permanent magnets, each having a diameter of 3/4 (19) and a thickness of 1/4 (6), or equivalent, shall be attached to the underside of the tablet with an approved epoxy bonding agent.
3. The location of the markers shall be in accordance with the plans in general, the markers will be placed at the P.T.'s and P.C.'s of horizontal curves and spaces along the tangents in a way that a minimum of two markers are always inter-visible, and not to exceed 1000' (300m).
4. The markers shall be placed under the direction of the Engineer and shall be installed in a workmanlike manner in order that there will be no further settlement or horizontal shifting. The monuments shall be placed in a way that the survey point will fall within the portion of the plaque provided for that purpose.
5. The project designation, the centerline station, the survey point, and the elevation shall be permanently marked by the use of metal dies after marker has been installed.



MARKER CAST IN PLACE
TYPE II

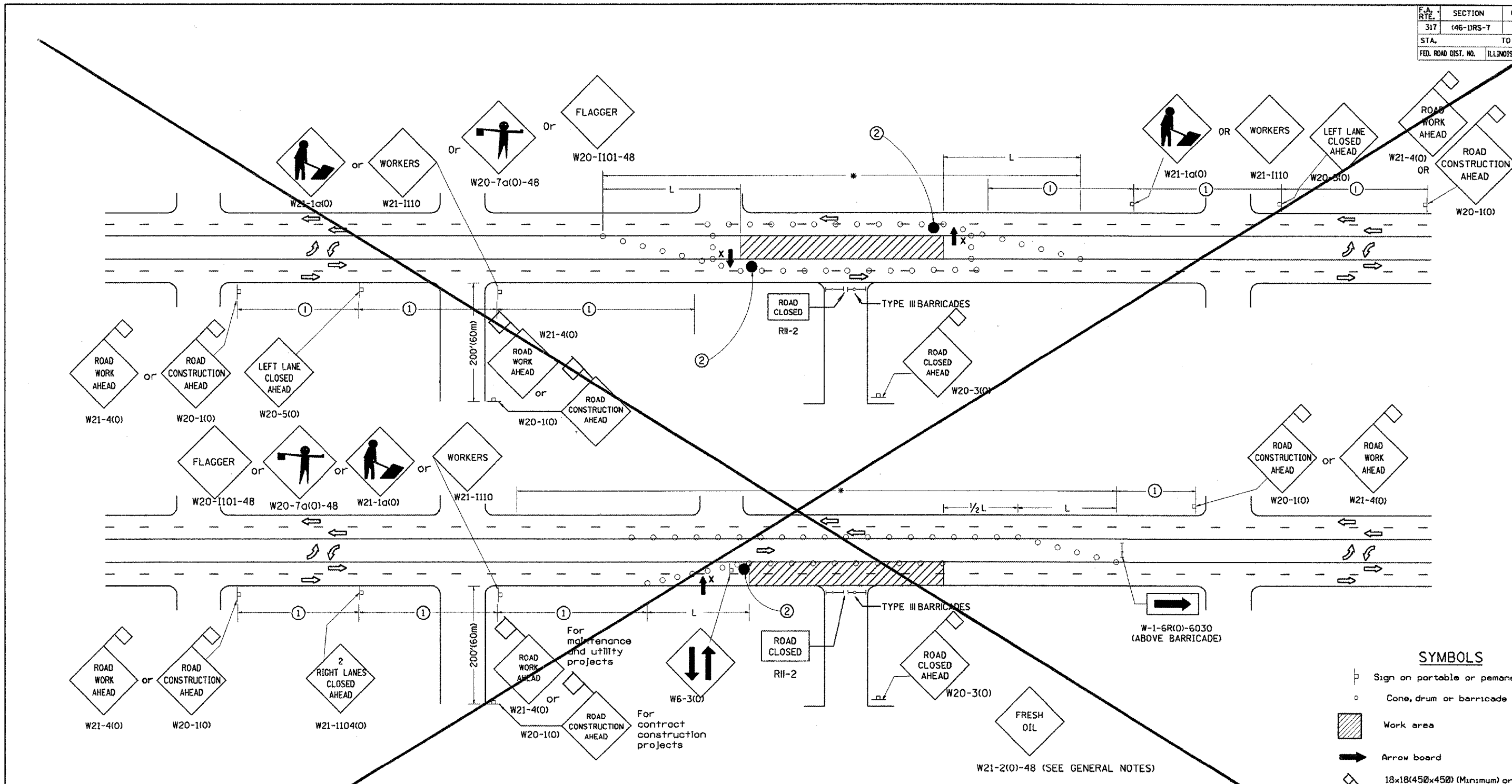
All dimensions are in inches (millimeters) unless otherwise noted.

ILLINOIS DEPARTMENT OF TRANSPORTATION	
DISTRICT CADD STANDARD	
PERMANENT SURVEY TIE & PERMANENT SURVEY MARKERS TY.I - TY.II	
CADD STD. NO. 667101-D4	DRAWN BY CADD
SCALE: NOT DRAWN TO SCALE	CHECKED BY

DATE	REVISIONS	BY
1-1-97	RENUM. D-3.01, NEW REVISION BOX	T.P.
	ADD DESIGNER NOTE, REVISED TITLE BOX	
7-7-98	ADD DESIGNER NOTE	J.A.
5-24-06	REMOVED GEN. NOTE UNDER TIES	M.A.
10-16-06	REVISED TO 2007 SPEC.	M.A.

\$\$\$DATE\$\$\$

F.A. RTE.	SECTION	COUNTY	TOTAL SHEETS	SHEET NO.
317	(46-1)RS-7	PEORIA	62	59
STA.	TO STA.			
FED. ROAD DIST. NO.	ILLINOIS	FED. AID PROJECT		



SYMBOLS

- Sign on portable or permanent support
- Cone, drum or barricade
- Work area
- Arrow board
- 18x18(450x450) (Minimum) orange flag
- Drum or barricade with flashing light
- High level warning device
- Flagger with traffic control sign

All dimensions are in inches (millimeters) unless otherwise noted.

GENERAL NOTES

Cones at 25' (8m) centers for 250' (75m). Additional cones may be placed at 50' (15m) centers. When drums or type I or II barricades are used, the interval between devices may be doubled.

Where, at anytime, day or night, any vehicle, equipment, workers or their activities encroach on the pavement requiring the closure of one traffic lane in an Urban area.

The L distance shall be defined as:
 ENGLISH METRIC
 $L = WS^2/60$ $L = WS^2/150$
 Where: W = Width of closure in feet(meters).
 S = Normal posted speed limit in mph(km/h).

If the work operation is performed between 9:00 a.m. and 3:00 p.m. and does not exceed 15 min Traffic protection shall be as shown for Std. 701301.

Form "BT 725" is required.

SIGN SPACING	
Posted Speed	Sign Spacing
55	500' (164m)
50-45	350' (115m)
<45	200' (60m)

- ① = Refer to SIGN SPACING TABLE for distances.
- ② = Required for speeds > 40 MPH

△ SHEET DELETED 7/16/07

DATE	REVISIONS	BY
1-1-97	RENUM. F-6.06, NEW REVISIONS BOX, REVISED TITLE	T.P.
3-11-97	CHANGE TITLE, ADD SHEET 2	S.N.
6-1-97	REVISE SYMBOLS NOTE	S.N.
3-9-99	REVISE SYMBOLS & NOTES	S.N.
10-16-06	REVISED TO 2007 SPEC.	M.A.

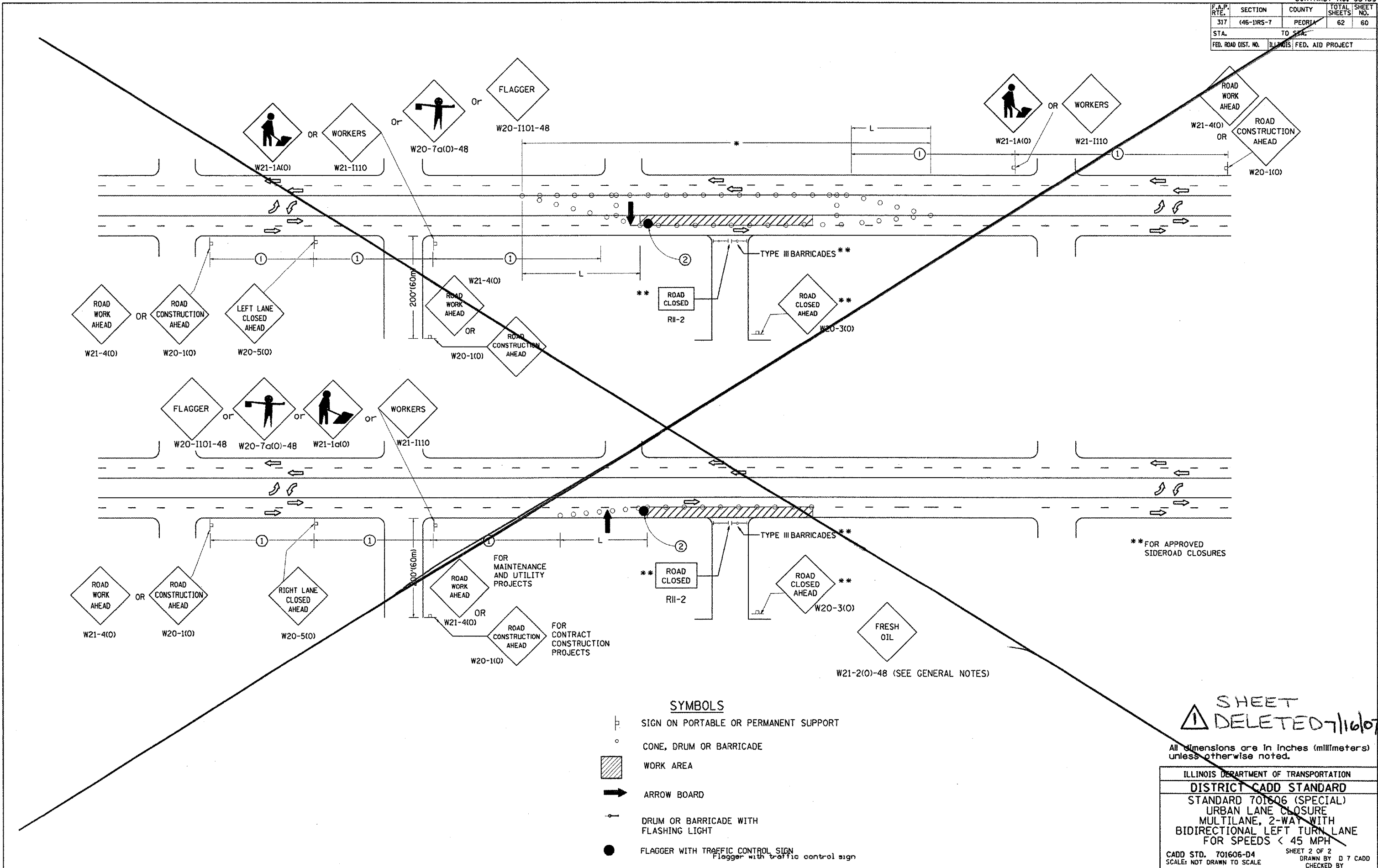
ILLINOIS DEPARTMENT OF TRANSPORTATION
DISTRICT CADD STANDARD
 STANDARD 701606 (SPECIAL)
 URBAN LANE CLOSURE
 MULTILANE, 2-WAY WITH
 BIDIRECTIONAL LEFT TURN LANE
 FOR SPEEDS < 45 MPH

CADD STD. 701606-D4
 SCALE: NOT DRAWN TO SCALE

SHEET 1 OF 2
 DRAWN BY CADD
 CHECKED BY

\$\$\$DATE\$\$\$

F.A.P. RTE.	SECTION	COUNTY	TOTAL SHEETS	SHEET NO.
317	(46-1RS-7	PEORIA	62	60
STA.		TO STA.		
FED. ROAD DIST. NO.		ILLINOIS FED. AID PROJECT		



- SYMBOLS**
- SIGN ON PORTABLE OR PERMANENT SUPPORT
 - CONE, DRUM OR BARRICADE
 - WORK AREA
 - ARROW BOARD
 - DRUM OR BARRICADE WITH FLASHING LIGHT
 - FLAGGER WITH TRAFFIC CONTROL SIGN
Flagger with traffic control sign

**FOR APPROVED SIDEROAD CLOSURES

W21-2(0)-48 (SEE GENERAL NOTES)

SHEET DELETED 7/16/07

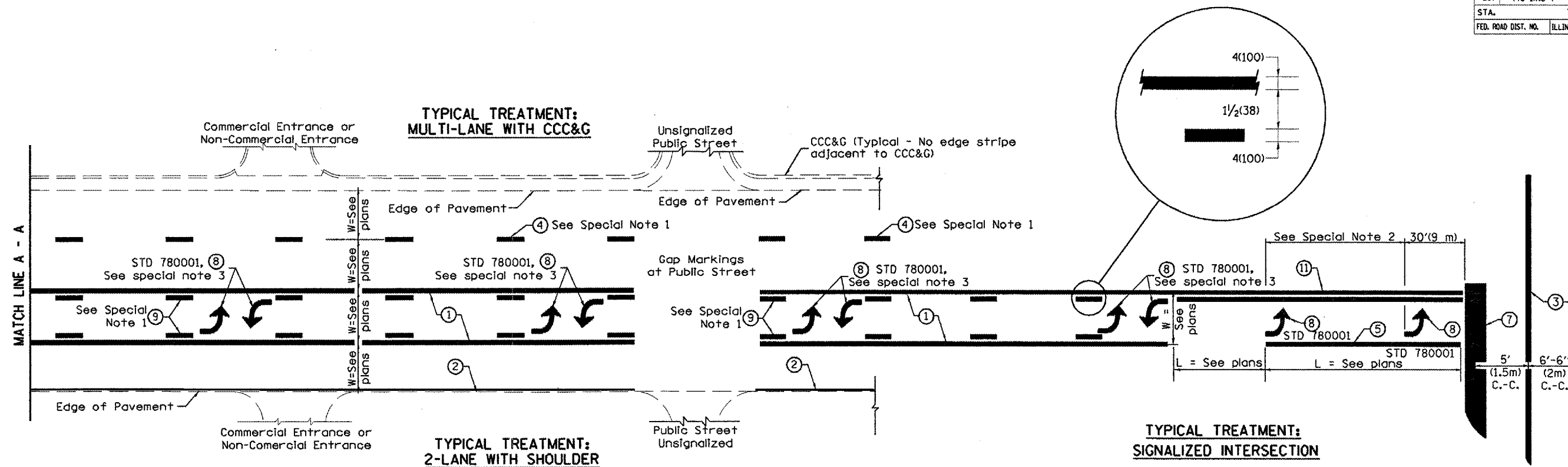
All dimensions are in inches (millimeters) unless otherwise noted.

ILLINOIS DEPARTMENT OF TRANSPORTATION
DISTRICT CADD STANDARD
 STANDARD 701606 (SPECIAL)
 URBAN LANE CLOSURE
 MULTILANE, 2-WAY WITH
 BIDIRECTIONAL LEFT TURN LANE
 FOR SPEEDS < 45 MPH
 CADD STD. 701606-D4 SHEET 2 OF 2
 SCALE: NOT DRAWN TO SCALE DRAWN BY D 7 CADD
 CHECKED BY

\$\$\$DATE\$\$\$

DGN-ONLY

F.A.P. RTE.	SECTION	COUNTY	TOTAL SHEETS	SHEET NO.
317	146-11RS-7	PEORIA	62	61
STA.		TO STA.		
FED. ROAD DIST. NO.	ILLINOIS	FED. AID PROJECT		



FLUSH PAVED MEDIAN: TWO-WAY LEFT TURN LANE WITH ONE-WAY LEFT TURN LANE AT SIGNALIZED INTERSECTION

TYPICAL PAVEMENT MARKING LEGEND

(Note: This is a District Standard Legend. Some elements may not apply to specific project.)

- ① 4(100) Solid (Yellow)
- ② 4(100) Solid (White)
- ③ 2-6(150) Crosswalk @ 6'-6" (2m) min C.-C. (White)
2-8(200) Crosswalk @ 6'-6" (2m) min C.-C. (White) (When traffic signals are present.)
- ④ 6(150) Skip-Dash (White) (See Special Note 1)
- ⑤ 8(200) Solid (White)
- ⑥ 12(300) Diagonal (White) (Item ⑥ is shown on Std. 780001)
- ⑦ 24(600) Stop Bar (White)
- ⑧ Letters & Arrows (See Std. 780001 and Special Notes 2 & 3)
- ⑨ 4(100) Skip-Dash (Yellow) (See Special Note 1)
- ⑩ 12(300) Diagonal (Yellow) (See Table A) (See Table A)
- ⑪ 4(100) Double Solid (Yellow) (See Table A)

SPECIAL NOTES

1. Skip-Dash markings will be centered between both ends of city blocks and shall be placed in alignment transversely across the pavement.
2. The following shall apply to arrows located in one-way left turn lanes:
 - A. A minimum of two (2) arrows is required.
 - B. The maximum spacing between arrows is 80' (24 m).
 - C. Arrows shall be evenly spaced if three (3) or more are required.
3. The following shall apply to arrow pairs located in two-way left turn lanes:
 - A. A minimum of two (2) arrow pairs is required.
 - B. The maximum spacing between arrow pairs is 200' (61 m).
 - C. Arrow pairs shall be evenly spaced if three (3) or more are required.
 - D. The spacing between Bi Directional Left Turn Arrows is 33' (10 m).

GENERAL NOTES

1. Refer to State Standard 780001 for additional Pavement Markings including letters & arrows.
2. See Plans for Pavement Markings adjacent to curbed islands and medians, and through lane reductions.

All dimensions are in inches (millimeters) unless otherwise noted.

ILLINOIS DEPARTMENT OF TRANSPORTATION
DISTRICT CADD STANDARD

TYPICAL PAVEMENT MARKINGS

CADD STANDARD 780001-D4 SHEET 1 OF 2
SCALE: NOT DRAWN TO SCALE DRAWN BY CADD CHECKED BY

DATE	REVISIONS	BY
1-1-97	RENUM. F-8.03, NEW REVISION BOX	T.P.
2-7-97	ADD BI DIRECTIONAL DIMENSION	J.A.
10-97	CORRECT BI DIRECTIONAL DIMNS. WITH T.S.	J.A.
8-02	ADD CROSSWALK DIMNS. WITH T.S.	M.A.
10-16-06	REVISED TO 2007 SPEC.	M.A.

