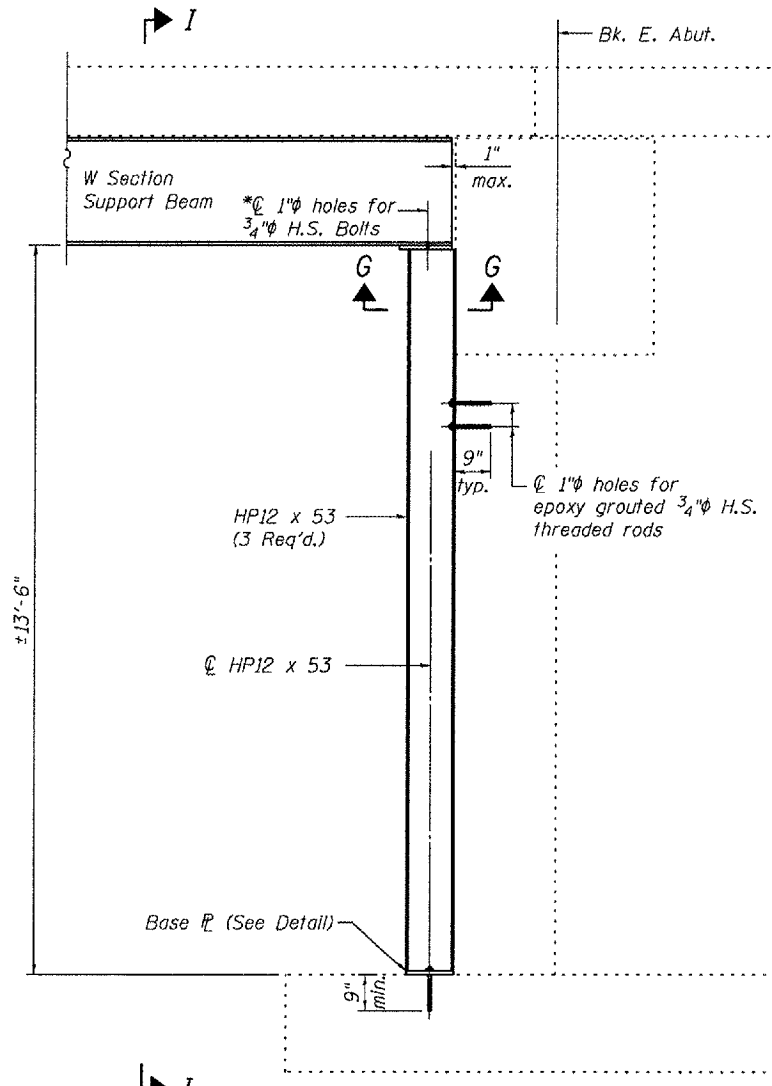


STATE OF ILLINOIS
DEPARTMENT OF TRANSPORTATION

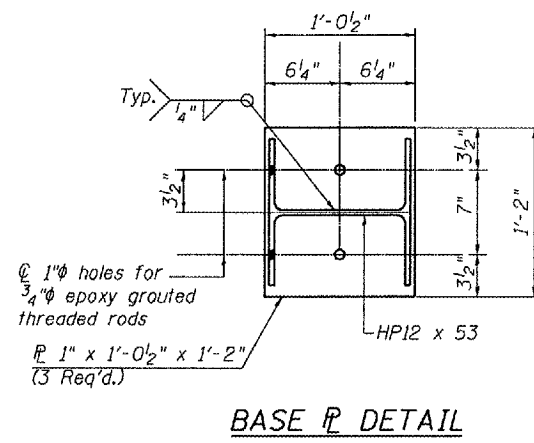
ROUTE NO.	SECTION	COUNTY	DIST.	POST	SHEET NO.
FAP 685	-	McDonough	11	11A	3
FED. ROAD DIST. NO. 7		ILLINOIS		FED. AID PROJECT	

Contract # 68765

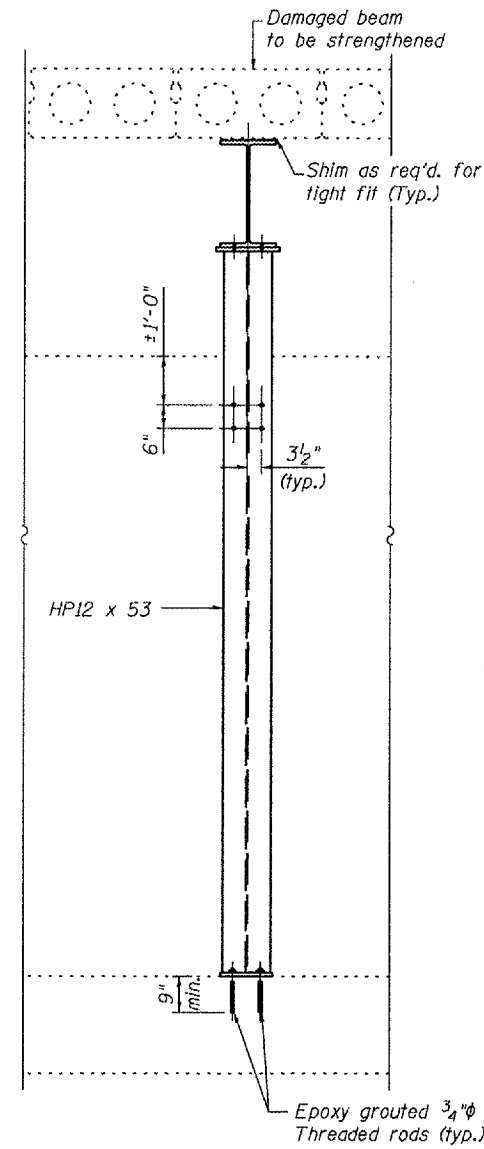


* Field drill hole in support beam using hole in top \bar{P} as a template.

SECTION H-H
(Beams 3, 5 & 8 @ E. Abut. only)



BASE \bar{P} DETAIL



SECTION I-I

DESIGNED	CMV
CHECKED	SDS
DRAWN	DLH
CHECKED	CMV

WHKS & CO.
ENGINEERS PLANNERS LAND SURVEYORS
MASON CITY, IOWA DUBUQUE, IOWA AMES, IOWA
E. DUBUQUE, ILLINOIS SPRINGFIELD, ILLINOIS ROCHESTER, MINNESOTA

REPAIR DETAILS
FAP RTE 685 / IL RTE 9
OVER LITTLE CREEK
McDONOUGH COUNTY
S.N. 055-0012