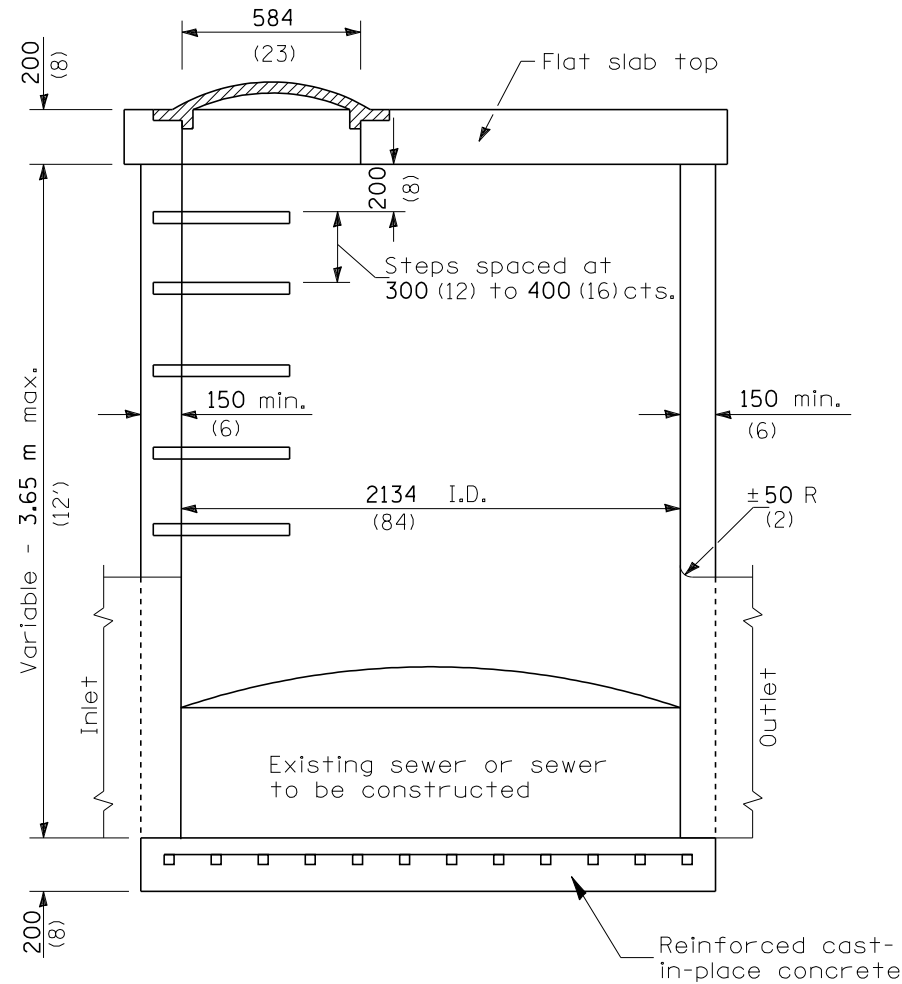
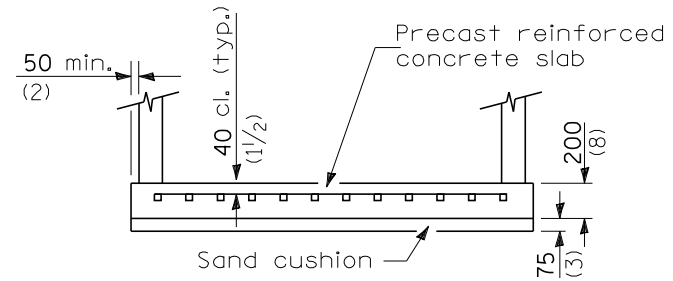
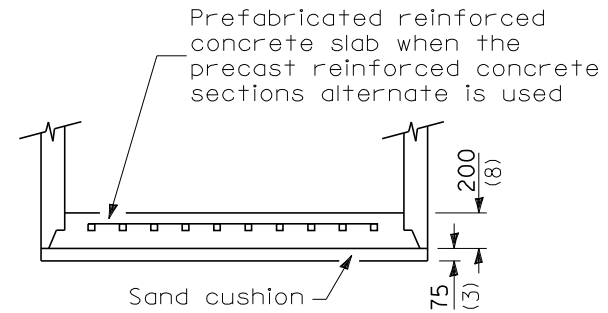


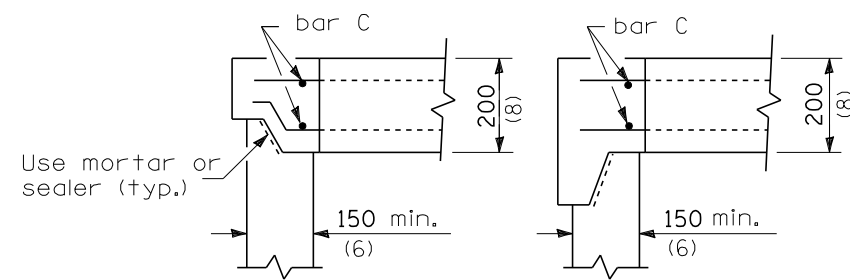
# DETAIL OF RESTRICTED DEPTH MANHOLE 7' DIAMETER, TYPE 8 GRATE



**ELEVATION**



**ALTERNATE BOTTOM SLAB**



**ALTERNATE JOINT CONFIGURATIONS**

ALTERNATE MATERIALS FOR WALLS	T (min)
Concrete Masonry Units	125 (5)
Precast Reinforced Concrete Sections	100 (4)
Cast-in-Place Concrete	150 (6)

## GENERAL NOTES

Depth of manhole shall be verified in the field by the Engineer.

Joint configuration and dimensions of flat slab top shall match and fit the riser joint detail.

Lifting devices shall be approved by the Engineer.

See Standard 602701 for details of cast iron steps.

All dimensions are in millimeters (inches) unless otherwise shown.

FILE NAME =	USER NAME = collierbw	DESIGNED -	REVISED -	<b>STATE OF ILLINOIS DEPARTMENT OF TRANSPORTATION</b>	<b>DETAIL OF RESTRICTED DEPTH MANHOLE WITH TYPE 8 GRATE</b>			F.A.I. RTE.	SECTION	COUNTY	TOTAL SHEETS	SHEET NO.	
ct:\projects\d501407 (v8)\70643.details.dgn		DRAWN -	REVISED -		74	FY08 HSIP	**	172	73	CONTRACT NO. 70643			
PLOT SCALE = 40.0000' / IN.		CHECKED -	REVISED -		SCALE:	SHEET NO.	OF SHEETS	STA.	TO STA.	FED. ROAD DIST. NO.	ILLINOIS FED. AID PROJECT		
PLOT DATE = 12/20/2007		DATE -	REVISED -										