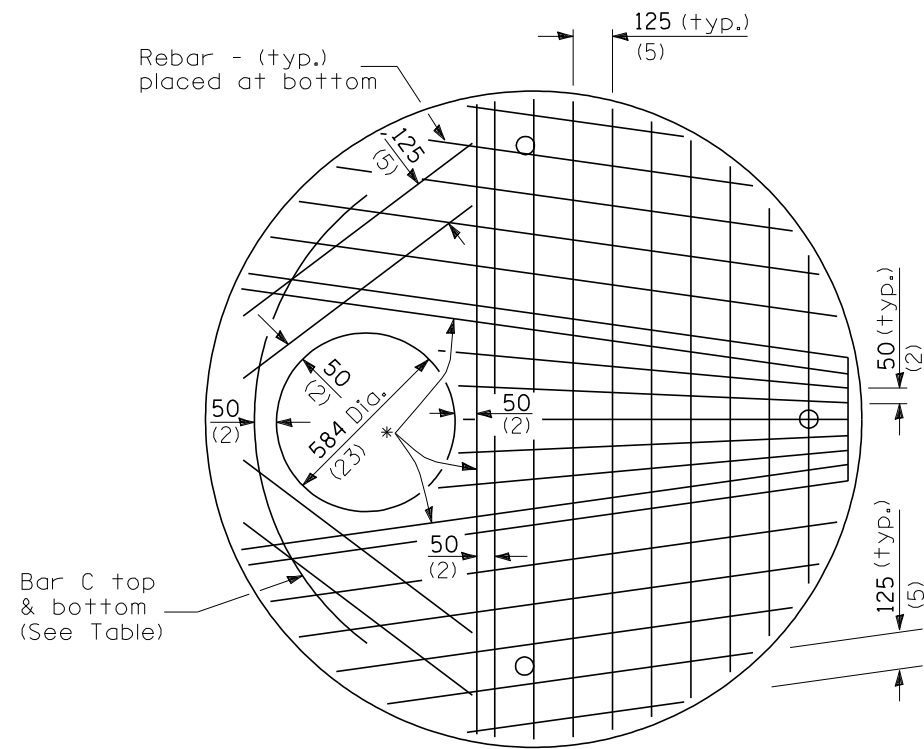


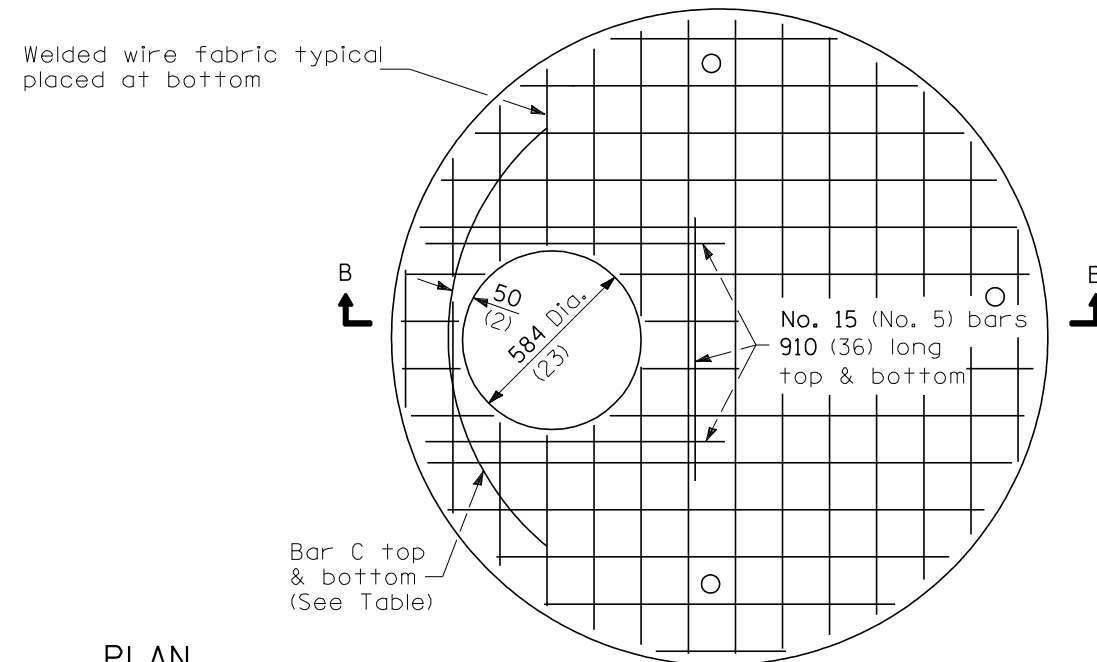
DETAIL OF RESTRICTED DEPTH MANHOLE 7' DIAMETER, TYPE 8 GRATE



PLAN

Showing Rebar Reinforcement

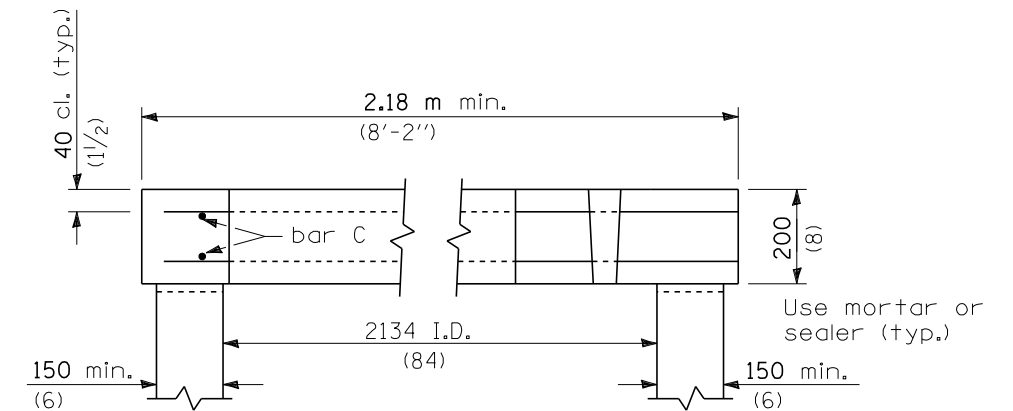
* No. 20 (No. 6) bars top & bottom



PLAN

Showing Welded Wire Fabric Reinforcement

Diameter of opening	Thickness	Reinforcement "As" WWF Each direction	Bar Size	No. 15 (No. 4) Bar C	
				Length	Radius
584 (23)	200 (8)	2244 mm ² /m (1.06) sq. in./ft.	No. 20 (No. 6)	1.83 m (6'-0")	965 (44)



SECTION B-B

FILE NAME =	USER NAME = collierbw	DESIGNED -	REVISED -	STATE OF ILLINOIS DEPARTMENT OF TRANSPORTATION	DETAIL OF RESTRICTED DEPTH MANHOLE WITH TYPE 8 GRATE	F.A.I. RTE.	SECTION	COUNTY	TOTAL SHEETS	SHEET NO.	
ct:\projects\d501407 (v8)\70643.details.dgn		DRAWN -	REVISED -			74	FYOBHSIP	**	172	74	
		CHECKED -	REVISED -			CONTRACT NO. 70643					
		DATE -	REVISED -			FED. ROAD DIST. NO. ILLINOIS FED. AID PROJECT					
PLOT SCALE = 40.0000' / IN.				SCALE:		SHEET NO. OF SHEETS		STA. TO STA.		** CHAMPAIGN & VERMILION	