

95 90 85 80 75 70 65 60 55 50 45 40 35 30 25 20 15 10 5 0 5 10 15 20

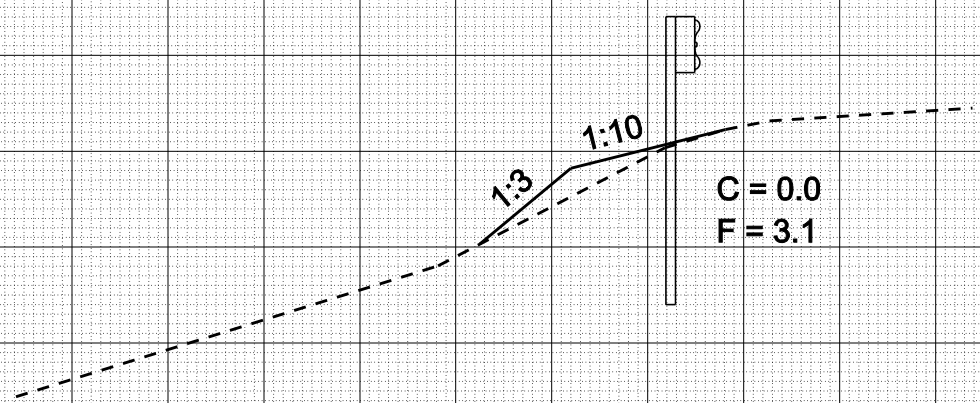
DATE	
BY	
SURVEYED	
PLOTTED	
TEMPLATE	
AREAS	
CHECKED	
FINAL SURVEY	
NOTE BOOK	
NO.	

DATE	
BY	
SURVEYED	
PLOTTED	
TEMPLATE	
AREAS	
CHECKED	
ORIGINAL SURVEY	
NOTE BOOK	
NO.	

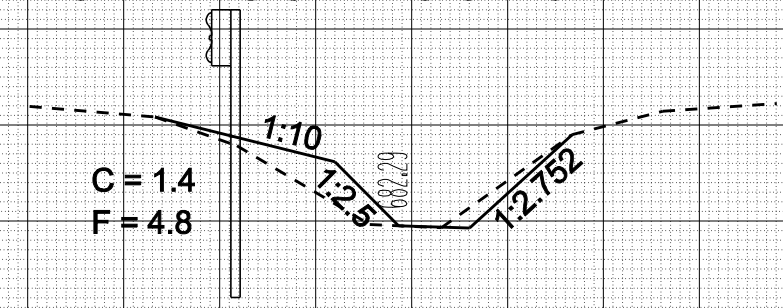
S.N. 092-0025



S.N. 092-0025



S.N. 092-0023



2218 + 21.50

2217 + 45.50

2208 + 31.50

** CHAMPAIGN & VERMILION

FILE NAME =	USER NAME = collier-bw	DESIGNED -	REVISED -	STATE OF ILLINOIS DEPARTMENT OF TRANSPORTATION	WIDENING FOR TYPE 1 TERMINALS (WB)			F.A.I. RTE.	SECTION	COUNTY	TOTAL SHEETS	SHEET NO.
ca:\projects\d501407 (vB)\70643-guandrol.xs.left.dgn		DRAWN -	REVISED -					74	FY08HSIP	**	172	106
PLOT SCALE = 10.0000 "/td> <td></td> <td>CHECKED -</td> <td>REVISED -</td> <td colspan="3">SCALE:</td> <td colspan="2">CONTRACT NO. 70643</td>		CHECKED -	REVISED -		SCALE:			CONTRACT NO. 70643				
PLOT DATE = 12/20/2007		DATE -	REVISED -		SHEET NO.	OF	SHEETS	STA. 2208+31.50 TO STA. 2218+21.50	FED. ROAD DIST. NO.	ILLINOIS FED. AID PROJECT		