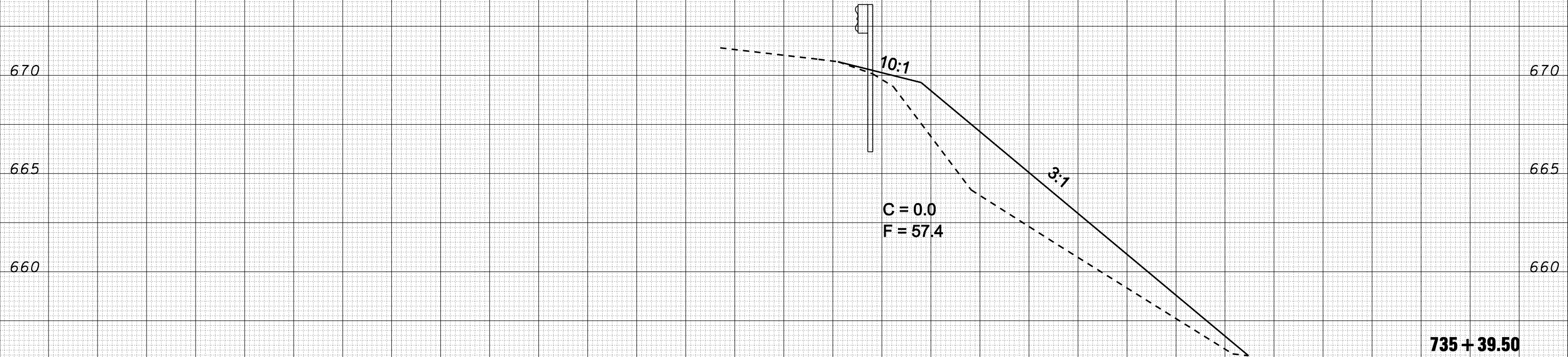
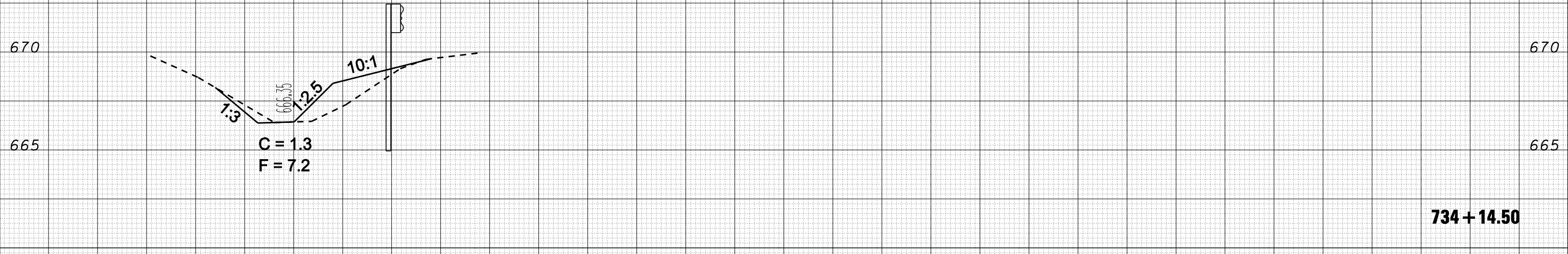


25 20 15 10 5 0 5 10 15 20 25 30 35 40 45 50 55 60 65 70 75 80 85 90 95 100 105 110 115 120 125

S.N. 010-0029



S.N. 010-0029



** CHAMPAIGN & VERMILION

DATE	
BY	
SURVEYED	
PLOTTED	
TEMPLATE	
AREAS	
CHECKED	
FINAL SURVEY	
NOTE BOOK	
NO.	

DATE	
BY	
SURVEYED	
PLOTTED	
TEMPLATE	
AREAS	
CHECKED	
ORIGINAL SURVEY	
NOTE BOOK	
NO.	

FILE NAME =	USER NAME = collierbw	DESIGNED -	REVISIED -	<p align="center">STATE OF ILLINOIS DEPARTMENT OF TRANSPORTATION</p> <p align="center">WIDENING FOR TYPE 1 TERMINALS (EB)</p>	F.A.P. RTE.	SECTION	COUNTY	TOTAL SHEETS	SHEET NO.	
ca:\projects\d501407 (vB)\70643-guandrol.xs_righ.dgn		DRAWN -	REVISIED -		74	FY08HSIP	**	172	107	
PLOT SCALE = 10.0000 "/td> <td></td> <td>CHECKED -</td> <td>REVISIED -</td> <td colspan="2">SCALE:</td> <td>SHEET NO.</td> <td>OF</td> <td>SHEETS</td> <td>STA. 734+14.50 TO STA. 735+39.50</td>		CHECKED -	REVISIED -		SCALE:		SHEET NO.	OF	SHEETS	STA. 734+14.50 TO STA. 735+39.50
PLOT DATE = 12/20/2007		DATE -	REVISIED -		FED. ROAD DIST. NO.		ILLINOIS	FED. AID PROJECT	CONTRACT NO. 70643	