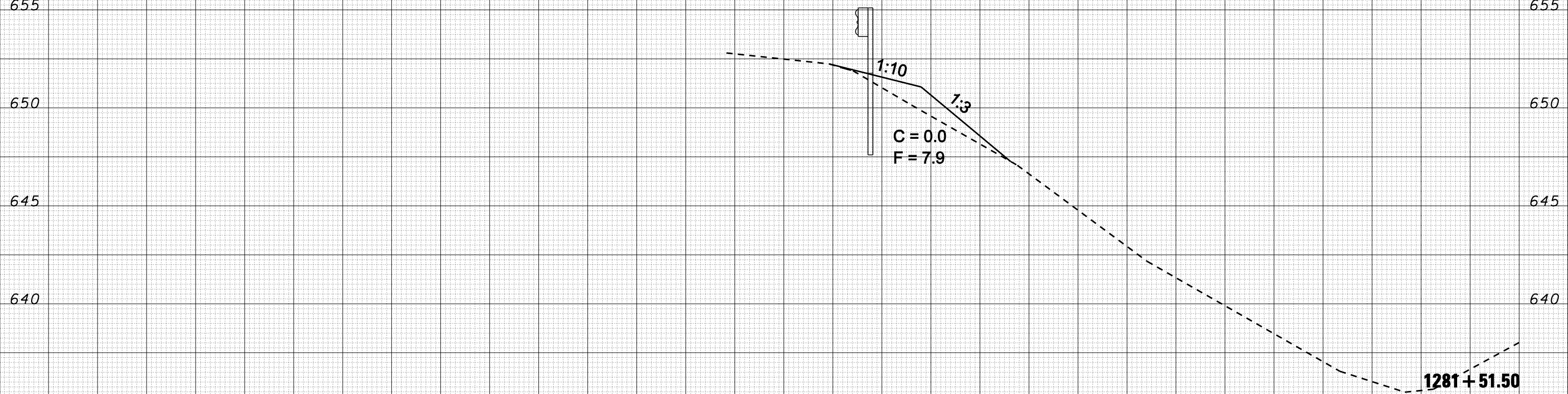


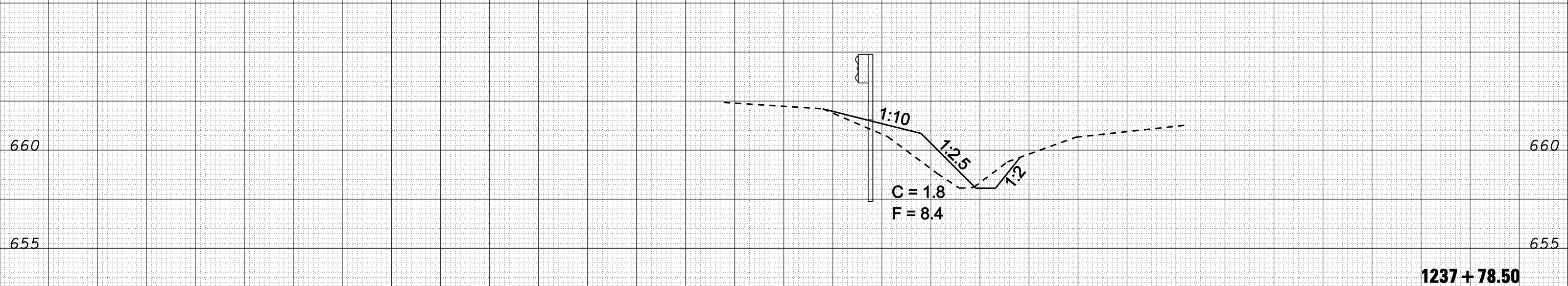
25 20 15 10 5 0 5 10 15 20 25 30 35 40 45 50 55 60 65 70 75 80 85 90 95 100 105 110 115 120 125

DATE	
BY	
SURVEYED	
PLOTTED	
TEMPLATE	
AREAS	
CHECKED	
FINAL SURVEY	
NOTE BOOK	
NO.	

S.N. 092-0001



S.N. 092-0152



DATE	
BY	
SURVEYED	
PLOTTED	
TEMPLATE	
AREAS	
CHECKED	
ORIGINAL SURVEY	
NOTE BOOK	
NO.	

** CHAMPAIGN & VERMILION

FILE NAME =	USER NAME = collier-bw	DESIGNED -	REVISED -	STATE OF ILLINOIS DEPARTMENT OF TRANSPORTATION	WIDENING FOR TYPE 1 TERMINALS (EB)	F.A.P. RTE.	SECTION	COUNTY	TOTAL SHEETS	SHEET NO.
ca:\projects\d501407 (vB)\70643-guardrail_xs_righ.dgn	DRAWN -	REVISED -	74			FY08HSIP	**	172	111	
PLOT SCALE = 10.0000 "/ IN.	CHECKED -	REVISED -	CONTRACT NO. 70643							
PLOT DATE = 12/20/2007	DATE -	REVISED -	SCALE:			SHEET NO.	OF SHEETS	STA. 1237+78.50 TO STA. 1281+51.50	FED. ROAD DIST. NO.	ILLINOIS FED. AID PROJECT