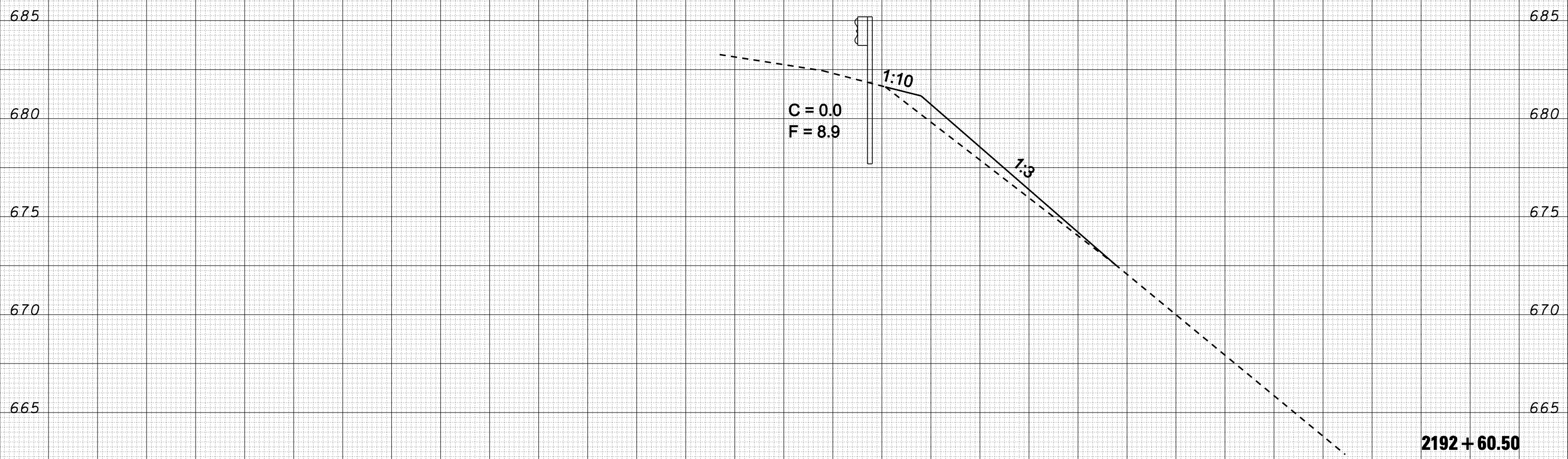
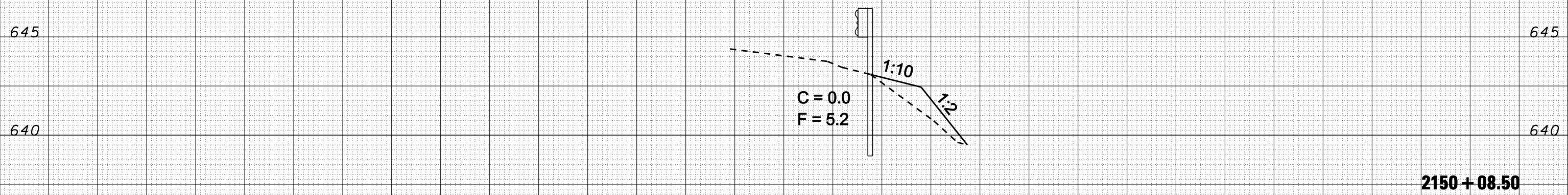


25 20 15 10 5 0 5 10 15 20 25 30 35 40 45 50 55 60 65 70 75 80 85 90 95 100 105 110 115 120 125

# S.N. 092-0024



# S.N. 092-0022



DATE	BY	SURVEYED	PLOTTED	TEMPLATE	AREAS	CHECKED
FINAL	SURVEY	NOTE BOOK	NO.			

DATE	BY	SURVEYED	PLOTTED	TEMPLATE	AREAS	CHECKED
ORIGINAL	SURVEY	NOTE BOOK	NO.			

25 20 15 10 5 0 5 10 15 20 25 30 35 40 45 50 55 60 65 70 75 80 85 90 95 100 105 110 115 120 125

FILE NAME = c:\projects\d501407 (vB)\70643\_guardrail\_xs\_righ.dgn

USER NAME = collierbw  
 PLOT SCALE = 10.0000 "/ IN.  
 PLOT DATE = 12/20/2007

DESIGNED -  
 DRAWN -  
 CHECKED -  
 DATE -

REVISED -  
 REVISED -  
 REVISED -  
 REVISED -

**STATE OF ILLINOIS  
 DEPARTMENT OF TRANSPORTATION**

**WIDENING FOR TYPE 1 TERMINALS (EB)**

SCALE: SHEET NO. OF SHEETS STA. 2050+08.50 TO STA. 2192+60.50

F.A.P. RTE.	SECTION	COUNTY	TOTAL SHEETS	SHEET NO.
74	FY08HSIP	**	172	125
FED. ROAD DIST. NO. ILLINOIS FED. AID PROJECT			CONTRACT NO. 70643	

\*\* CHAMPAIGN & VERMILION