

95 90 85 80 75 70 65 60 55 50 45 40 35 30 25 20 15 10 5 0 5 10 15 20

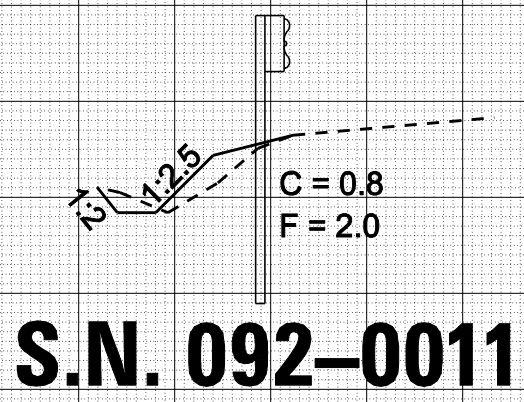
DATE	
BY	
FINAL SURVEY	SURVEYED
NOTE BOOK NO.	PLOTTED
	TEMPLATE
	AREAS CHECKED

650

650

645

645



1895 + 93.50

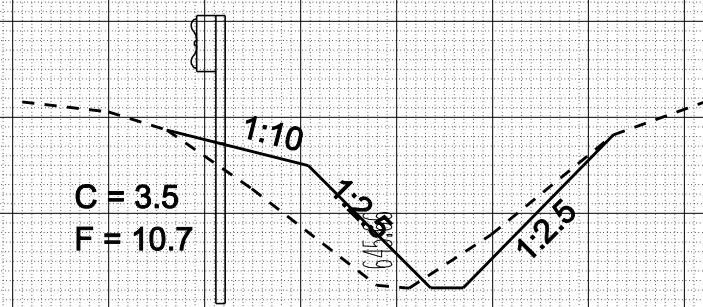
S.N. 092-0011

650

650

645

645



1895 + 43.50

S.N. 092-0009

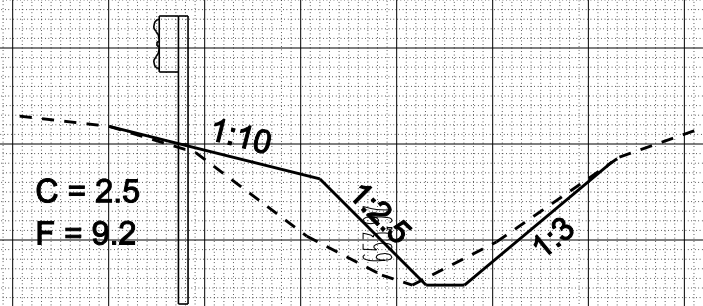
DATE	
BY	
ORIGINAL SURVEY	SURVEYED
NOTE BOOK NO.	PLOTTED
	TEMPLATE
	AREAS CHECKED

660

660

655

655



1885 + 93.50

95 90 85 80 75 70 65 60 55 50 45 40 35 30 25 20 15 10 5 0 5 10 15 20

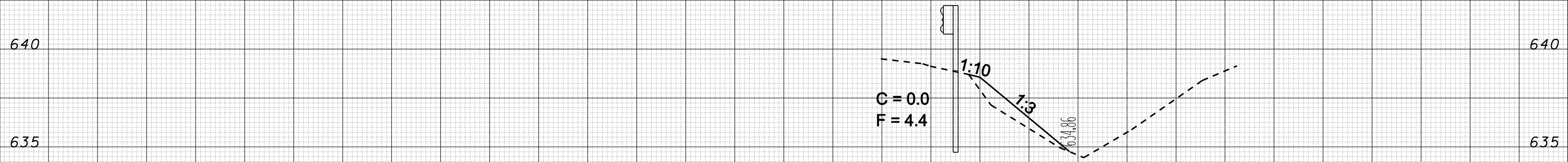
FILE NAME =	USER NAME = collier-bw	DESIGNED -	REVISED -	STATE OF ILLINOIS DEPARTMENT OF TRANSPORTATION	WIDENING FOR TYPE 1 TERMINALS (WB)			F.A.I. RTE.	SECTION	COUNTY	TOTAL SHEETS	SHEET NO.
ca:\projects\d501407 (vB)\70643-guandrol.xs.left.dgn	PLOT SCALE = 10.0000' / IN.	DRAWN -	REVISED -					74	FY08HSIP	**	172	101
PLOT DATE = 12/20/2007	DATE -	CHECKED -	REVISED -		SCALE: SHEET NO. OF SHEETS STA. 1885+93.50 TO STA. 1895+43.50			CONTRACT NO. 70643				
		DATE -	REVISED -					FED. ROAD DIST. NO. ILLINOIS FED. AID PROJECT				

** CHAMPAIGN & VERMILION

95 90 85 80 75 70 65 60 55 50 45 40 35 30 25 20 15 10 5 0 5 10 15 20

DATE	
BY	
SURVEYED	
PLOTTED	
TEMPLATE	
AREAS	
CHECKED	
FINAL SURVEY	
NOTE BOOK	
NO.	

S.N. 092-0012



640

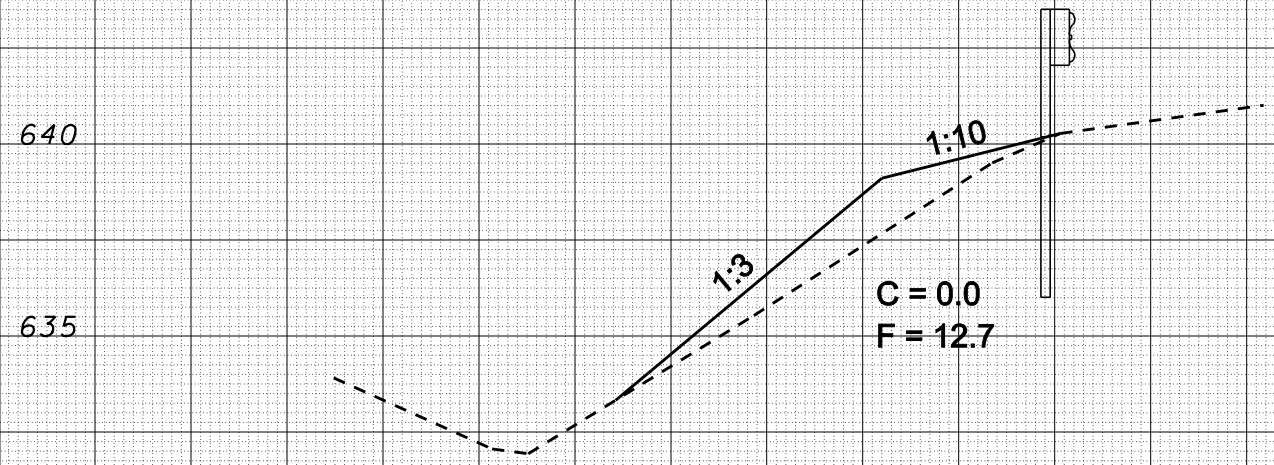
640

635

635

1906 + 29.50

S.N. 092-0012



640

640

635

635

1905 + 72.50

DATE	
BY	
SURVEYED	
PLOTTED	
TEMPLATE	
AREAS	
CHECKED	
ORIGINAL SURVEY	
NOTE BOOK	
NO.	

95 90 85 80 75 70 65 60 55 50 45 40 35 30 25 20 15 10 5 0 5 10 15 20

FILE NAME = c:\projects\d501407 (vB)\70643_guardrail_xs_left.dgn

USER NAME = collier-bv
 PLOT SCALE = 10.0000' / IN.
 PLOT DATE = 12/20/2007

DESIGNED -
 DRAWN -
 CHECKED -
 DATE -

REVISED -
 REVISED -
 REVISED -
 REVISED -

**STATE OF ILLINOIS
 DEPARTMENT OF TRANSPORTATION**

WIDENING FOR TYPE 1 TERMINALS (WB)

SCALE: SHEET NO. OF SHEETS STA. 1905+72.50 TO STA. 1906+29.50

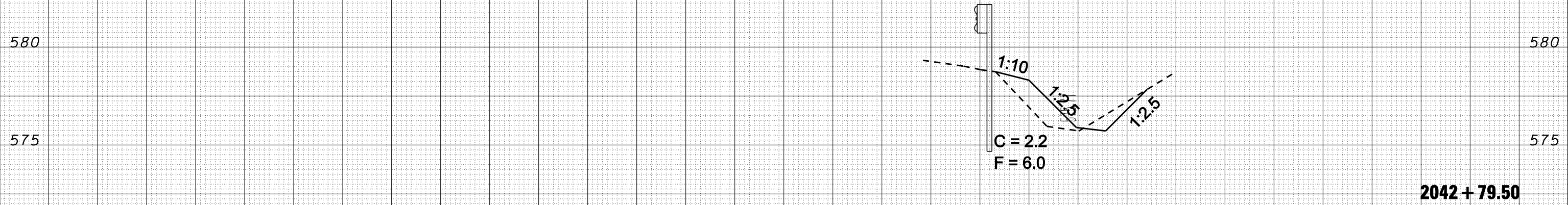
F.A.I. RTE.	SECTION	COUNTY	TOTAL SHEETS	SHEET NO.
74	FY08HSIP	**	172	102
FED. ROAD DIST. NO. ILLINOIS FED. AID PROJECT			CONTRACT NO. 70643	

** CHAMPAIGN & VERMILION

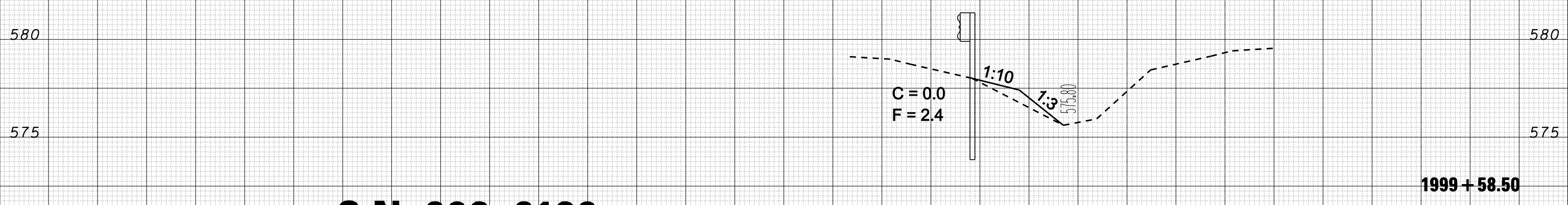
95 90 85 80 75 70 65 60 55 50 45 40 35 30 25 20 15 10 5 0 5 10 15 20

DATE	
BY	
SURVEYED	
PLOTTED	
TEMPLATE	
AREAS	
CHECKED	
FINAL SURVEY	
NOTE BOOK	
NO.	

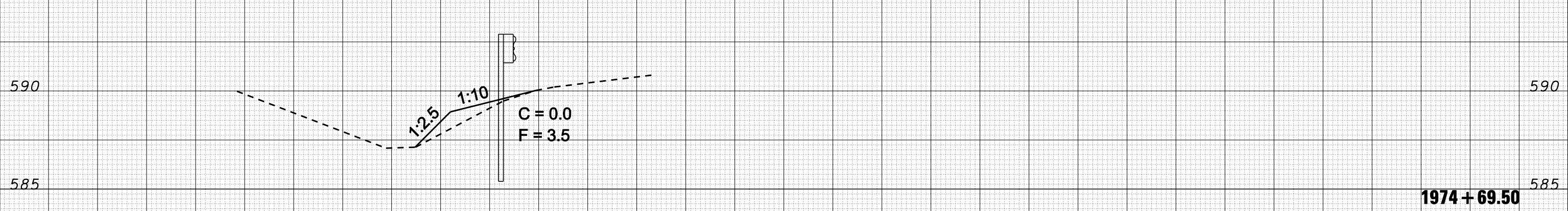
S.N. 092-0019



S.N. 092-0014



S.N. 092-0129



DATE	
BY	
SURVEYED	
PLOTTED	
TEMPLATE	
AREAS	
CHECKED	
ORIGINAL SURVEY	
NOTE BOOK	
NO.	

95 90 85 80 75 70 65 60 55 50 45 40 35 30 25 20 15 10 5 0 5 10 15 20

FILE NAME = c:\projects\d501407 (vB)\70643_guardrail_xs_left.dgn

USER NAME = collier-bv
 PLOT SCALE = 10.0000 "/>

DESIGNED -
 DRAWN -
 CHECKED -
 DATE -

REVISED -
 REVISED -
 REVISED -
 REVISED -

STATE OF ILLINOIS
 DEPARTMENT OF TRANSPORTATION

WIDENING FOR TYPE 1 TERMINALS (WB)

SCALE: SHEET NO. OF SHEETS STA. 1974+69.50 TO STA. 2042+79.50

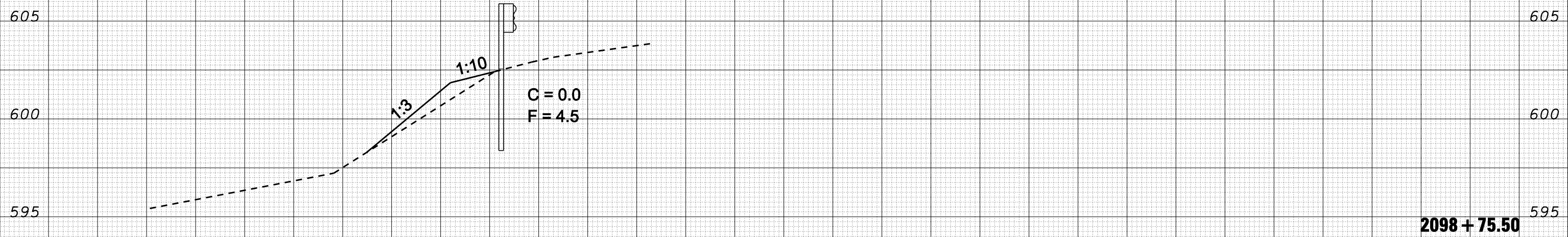
F.A.I. RTE.	SECTION	COUNTY	TOTAL SHEETS	SHEET NO.
74	FY08HSIP	**	172	103
CONTRACT NO. 70643			ILLINOIS FED. AID PROJECT	

** CHAMPAIGN & VERMILION

95 90 85 80 75 70 65 60 55 50 45 40 35 30 25 20 15 10 5 0 5 10 15 20

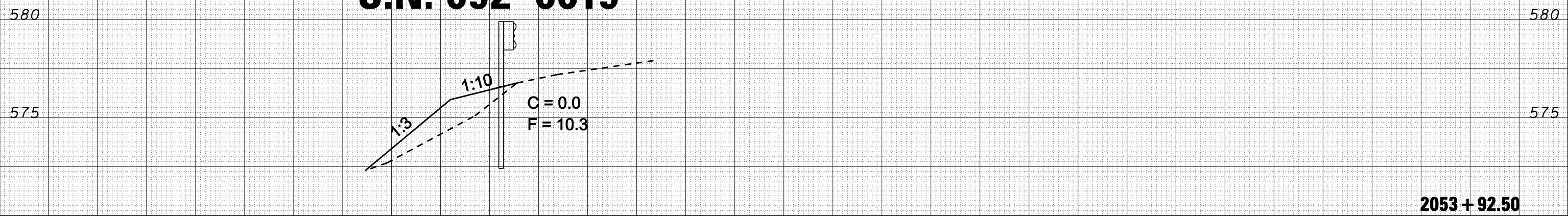
DATE	
BY	
SURVEYED	
PLOTTED	
TEMPLATE	
AREAS	
CHECKED	
FINAL SURVEY	
NOTE BOOK	
NO.	

S.N. 092-2001



DATE	
BY	
SURVEYED	
PLOTTED	
TEMPLATE	
AREAS	
CHECKED	
ORIGINAL SURVEY	
NOTE BOOK	
NO.	

S.N. 092-0019



95 90 85 80 75 70 65 60 55 50 45 40 35 30 25 20 15 10 5 0 5 10 15 20

FILE NAME = c:\projects\d501407 (vB)\70643_guardrail_xs_left.dgn

USER NAME = collier-bw

DESIGNED -

DRAWN -

PLOT SCALE = 10.0000 ' / IN.

PLOT DATE = 12/20/2007

REVISÉD -

REVISÉD -

REVISÉD -

REVISÉD -

DATE -

REVISÉD -

REVISÉD -

REVISÉD -

REVISÉD -

STATE OF ILLINOIS
DEPARTMENT OF TRANSPORTATION

WIDENING FOR TYPE 1 TERMINALS (WB)

SCALE: SHEET NO. OF SHEETS STA. 2053+92.50 TO STA. 2098+75.50

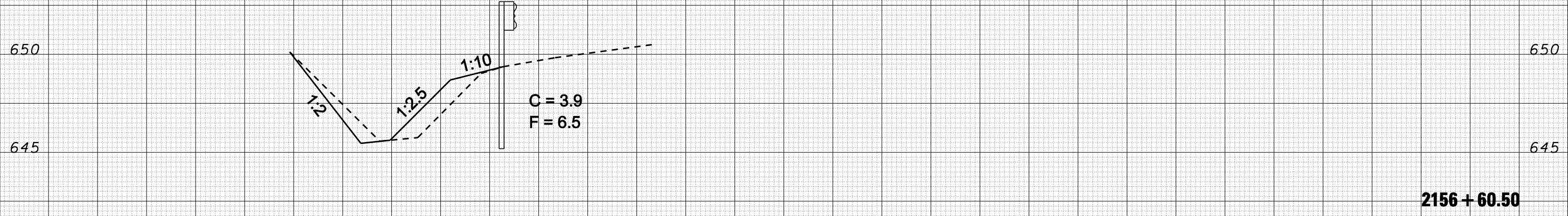
F.A.I. RTÉ.	SECTION	COUNTY	TOTAL SHEETS	SHEET NO.
74	FY08HSIP	**	172	104
FED. ROAD DIST. NO. ILLINOIS FED. AID PROJECT			CONTRACT NO. 70643	

** CHAMPAIGN & VERMILION

95 90 85 80 75 70 65 60 55 50 45 40 35 30 25 20 15 10 5 0 5 10 15 20

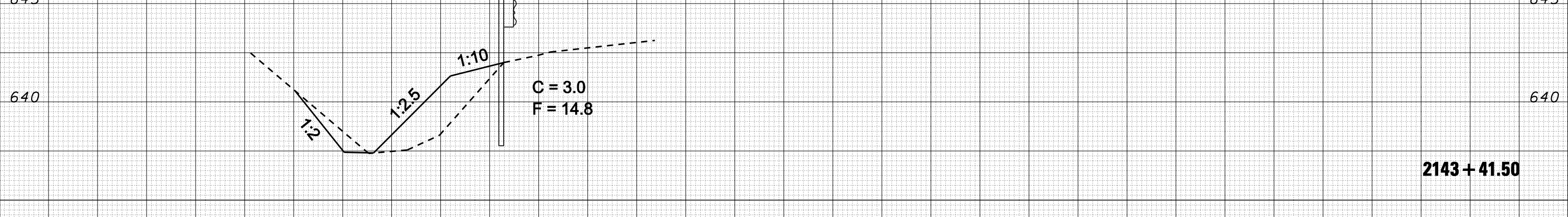
DATE	BY	SURVEYED	PLOTTED	TEMPLATE	AREAS CHECKED
FINL SURVEY NO.	NOTE BOOK NO.	AREAS CHECKED			

S.N. 092-0022



DATE	BY	SURVEYED	PLOTTED	TEMPLATE	AREAS CHECKED
ORIGINAL SURVEY NO.	NOTE BOOK NO.	AREAS CHECKED			

S.N. 092-0151



** CHAMPAIGN & VERMILION

95 90 85 80 75 70 65 60 55 50 45 40 35 30 25 20 15 10 5 0 5 10 15 20

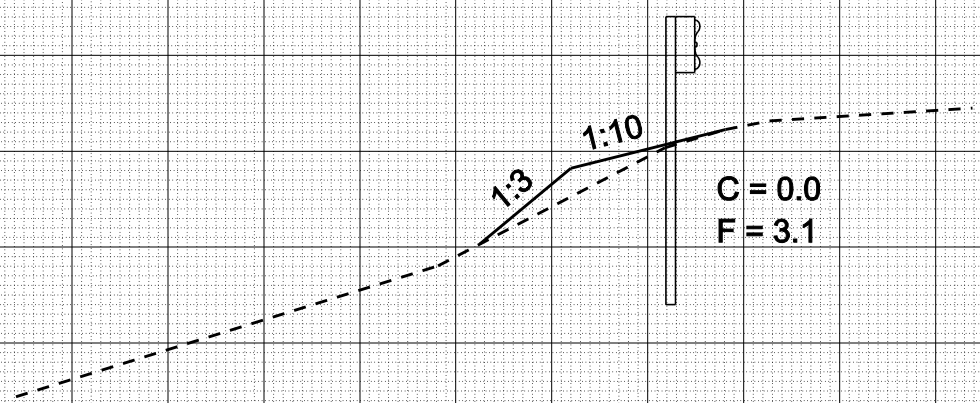
DATE	BY	SURVEYED	PLOTTED	TEMPLATE	AREAS CHECKED
FINL	SURVEY	NOTE BOOK	NO.		

DATE	BY	SURVEYED	PLOTTED	TEMPLATE	AREAS CHECKED
ORIGIAL	SURVEY	NOTE BOOK	NO.		

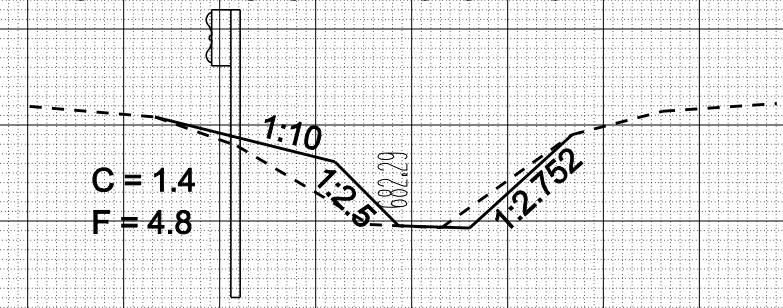
S.N. 092-0025



S.N. 092-0025



S.N. 092-0023



2218 + 21.50

2217 + 45.50

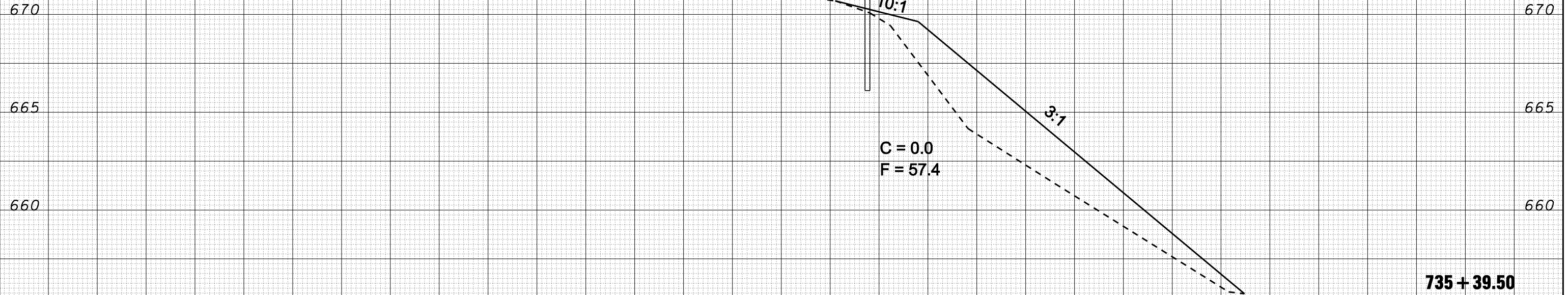
2208 + 31.50

** CHAMPAIGN & VERMILION

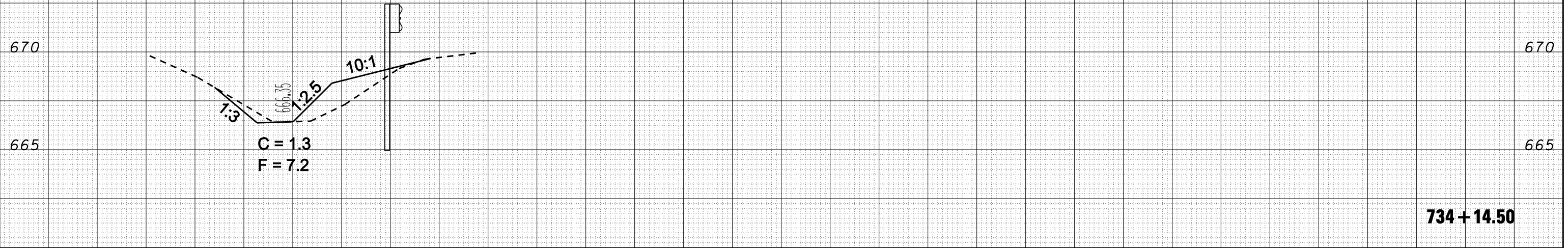
FILE NAME =	USER NAME = collier-bw	DESIGNED -	REVISED -	STATE OF ILLINOIS DEPARTMENT OF TRANSPORTATION	WIDENING FOR TYPE 1 TERMINALS (WB)	F.A.I. RTE.	SECTION	COUNTY	TOTAL SHEETS	SHEET NO.
ca:\projects\d501407 (vB)\70643-guordrail.xs.left.dgn		DRAWN -	REVISED -			74	FY08HSIP	**	172	106
PLOT SCALE = 10.0000 "/td> <td></td> <td>CHECKED -</td> <td>REVISED -</td> <td colspan="2">CONTRACT NO. 70643</td>		CHECKED -	REVISED -			CONTRACT NO. 70643				
PLOT DATE = 12/20/2007		DATE -	REVISED -			FED. ROAD DIST. NO.	ILLINOIS FED. AID PROJECT			

25 20 15 10 5 0 5 10 15 20 25 30 35 40 45 50 55 60 65 70 75 80 85 90 95 100 105 110 115 120 125

S.N. 010-0029



S.N. 010-0029



** CHAMPAIGN & VERMILION

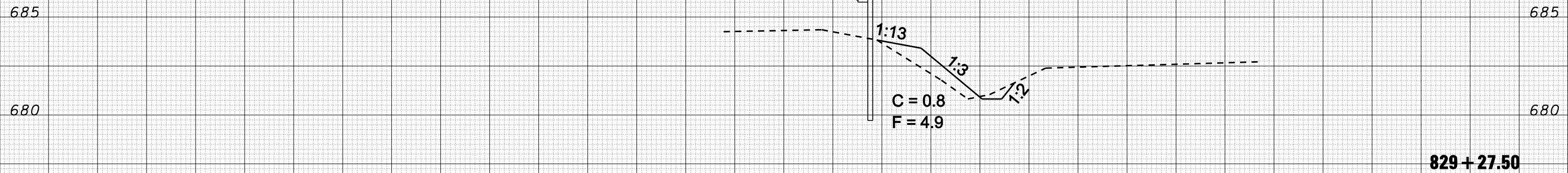
DATE	BY	SURVEYED	PLOTTED	TEMPLATE	AREAS	CHECKED
FINL	SURVEY	NOTE	BOOK	NO.		

DATE	BY	SURVEYED	PLOTTED	TEMPLATE	AREAS	CHECKED
ORIG	SURVEY	NOTE	BOOK	NO.		

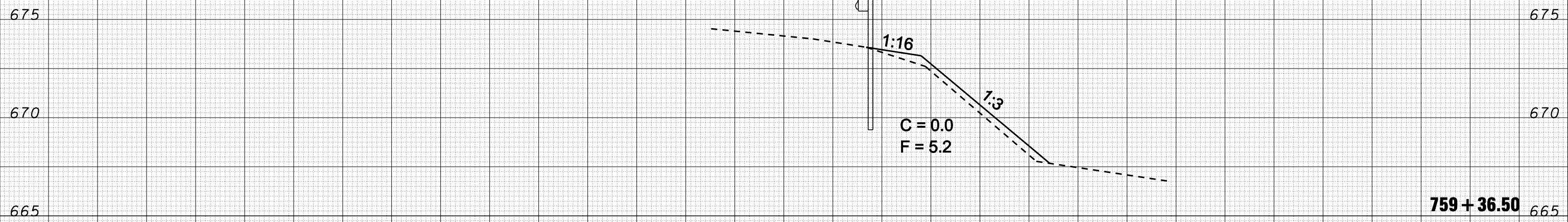
25 20 15 10 5 0 5 10 15 20 25 30 35 40 45 50 55 60 65 70 75 80 85 90 95 100 105 110 115 120 125

DATE	BY	SURVEYED	PLOTTED	AREAS CHECKED
FINL SURVEY NO.	NOTE BOOK NO.	TEMPLATE AREAS CHECKED		

S.N. 092-0182



S.N. 010-0089



DATE	BY	SURVEYED	PLOTTED	AREAS CHECKED
ORIGINAL SURVEY NO.	NOTE BOOK NO.	TEMPLATE AREAS CHECKED		

25 20 15 10 5 0 5 10 15 20 25 30 35 40 45 50 55 60 65 70 75 80 85 90 95 100 105 110 115 120 125

FILE NAME = c:\projects\d501407 (vB)\70643_guardrail_xs_righ.dgn

USER NAME = collierbw	DESIGNED -	REVISD -
PLOT SCALE = 10.0000 "/ IN.	DRAWN -	REVISD -
PLOT DATE = 12/20/2007	CHECKED -	REVISD -
	DATE -	REVISD -

**STATE OF ILLINOIS
DEPARTMENT OF TRANSPORTATION**

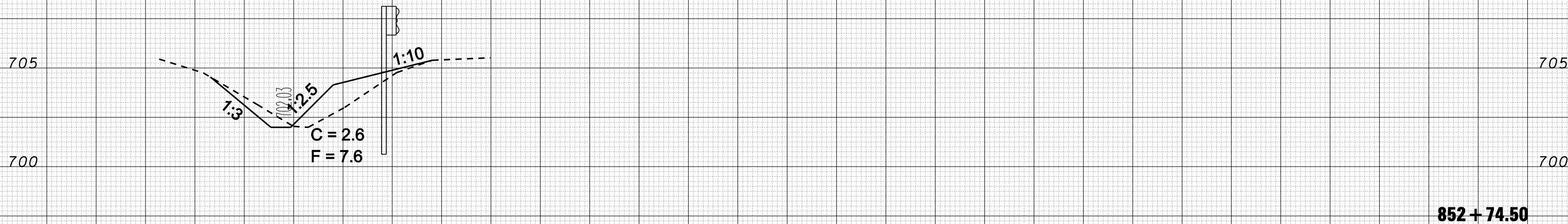
WIDENING FOR TYPE 1 TERMINALS (EB)

SCALE: SHEET NO. OF SHEETS STA. 759+36.50 TO STA. 829+27.50

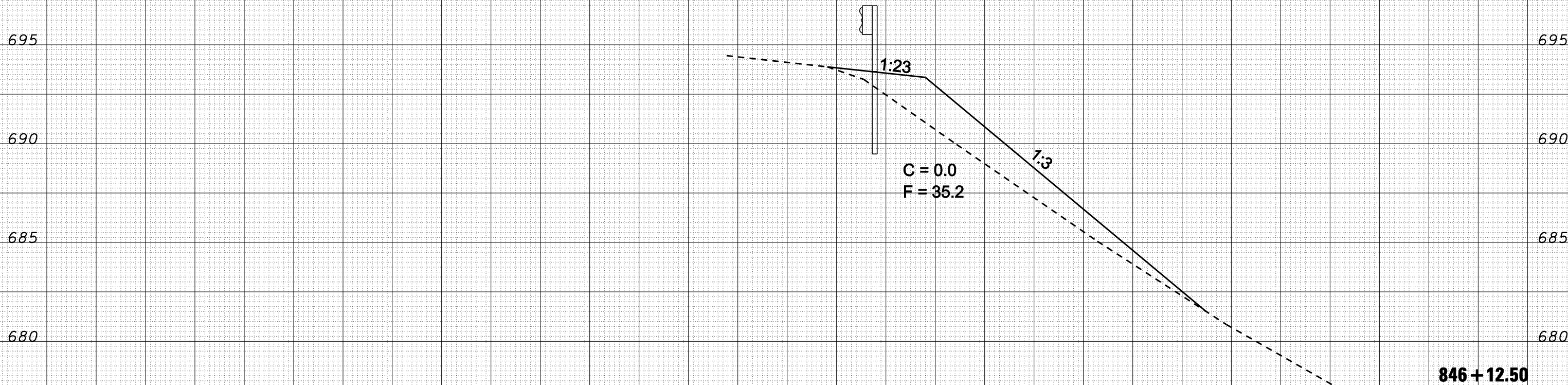
F.A.P. RTE.	SECTION	COUNTY	TOTAL SHEETS	SHEET NO.
74	FY08HSIP	**	172	108
FED. ROAD DIST. NO. ILLINOIS FED. AID PROJECT			CONTRACT NO. 70643	

** CHAMPAIGN & VERMILION

S.N. 010-0031



S.N. 010-0031



DATE	BY	SURVEYED	PLOTTED	TEMPLATE	AREAS	CHECKED
FINL	SURVEY	NOTE	BOOK	NO.		

DATE	BY	SURVEYED	PLOTTED	TEMPLATE	AREAS	CHECKED
ORIG	SURVEY	NOTE	BOOK	NO.		

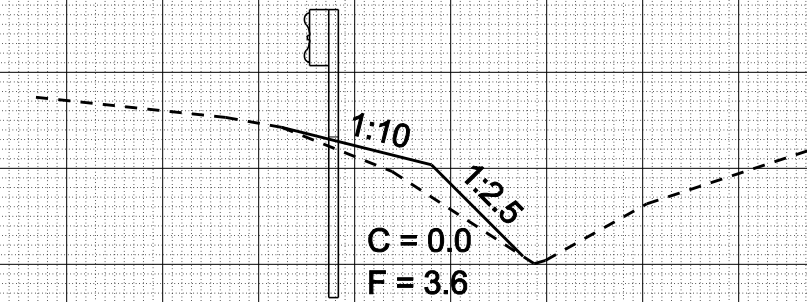
25 20 15 10 5 0 5 10 15 20 25 30 35 40 45 50 55 60 65 70 75 80 85 90 95 100 105 110 115 120 125

DATE	
BY	
SURVEYED	
PLOTTED	
TEMPLATE	
AREAS	
CHECKED	
FINAL SURVEY	
NOTE BOOK	
NO.	

S.N. 092-0146

670

665



670

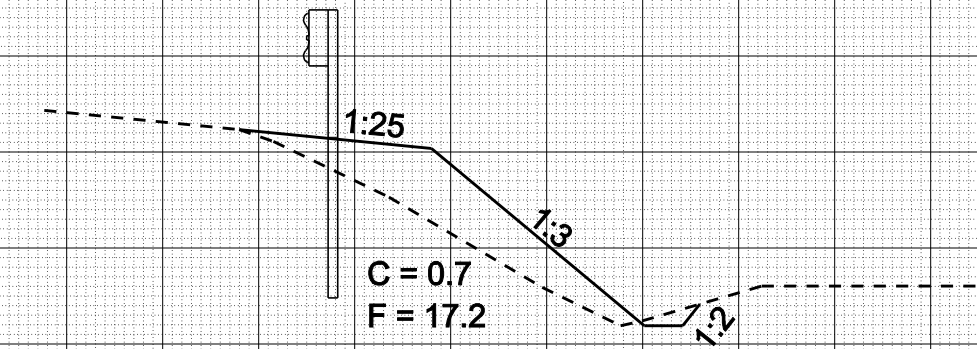
665

1103 + 76.50

S.N. 010-0183

680

675



680

675

897 + 87.50

** CHAMPAIGN & VERMILION

FILE NAME = c:\projects\d501407 (v8)\70643_guardrail_xs_righ.dgn

USER NAME = collier-bw
 PLOT SCALE = 10.0000 "/ IN.
 PLOT DATE = 12/20/2007

DESIGNED -
 DRAWN -
 CHECKED -
 DATE -

REVISED -
 REVISED -
 REVISED -
 REVISED -

**STATE OF ILLINOIS
 DEPARTMENT OF TRANSPORTATION**

WIDENING FOR TYPE 1 TERMINALS (EB)

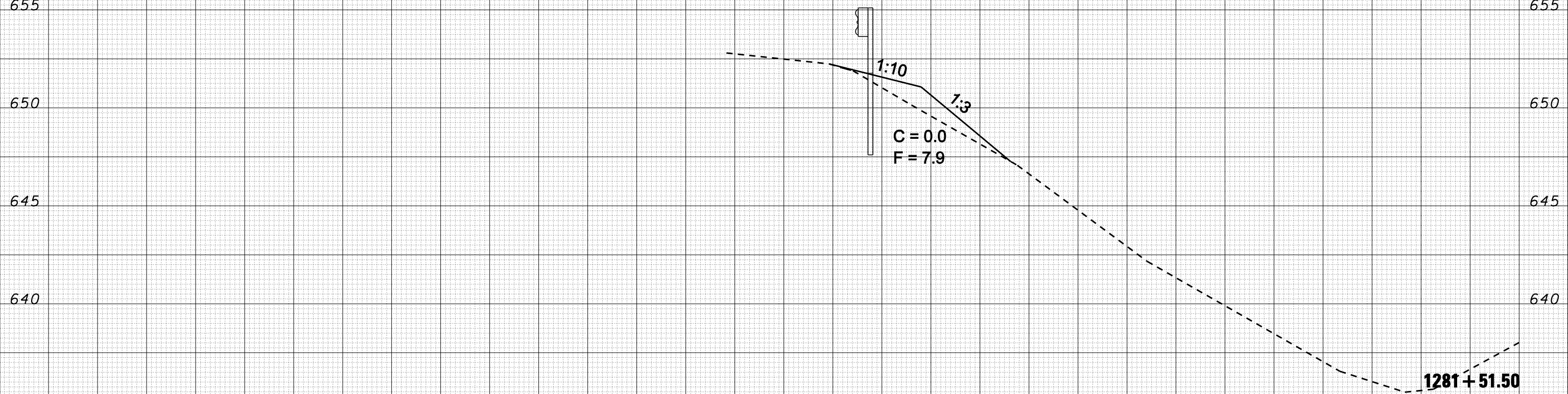
SCALE: SHEET NO. OF SHEETS STA. 897+87.50 TO STA. 1103+76.50

F.A.P. RTE.	SECTION	COUNTY	TOTAL SHEETS	SHEET NO.
74	FY08HSIP	**	172	110
CONTRACT NO. 70643			ILLINOIS FED. AID PROJECT	

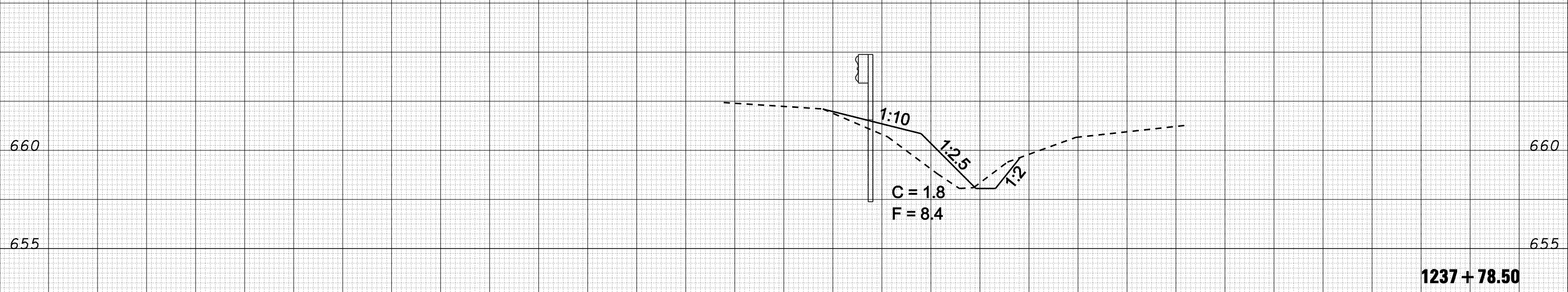
25 20 15 10 5 0 5 10 15 20 25 30 35 40 45 50 55 60 65 70 75 80 85 90 95 100 105 110 115 120 125

DATE	
BY	
SURVEYED	
PLOTTED	
TEMPLATE	
AREAS	
CHECKED	
FINAL SURVEY	
NOTE BOOK	
NO.	

S.N. 092-0001



S.N. 092-0152



DATE	
BY	
SURVEYED	
PLOTTED	
TEMPLATE	
AREAS	
CHECKED	
ORIGINAL SURVEY	
NOTE BOOK	
NO.	

25 20 15 10 5 0 5 10 15 20 25 30 35 40 45 50 55 60 65 70 75 80 85 90 95 100 105 110 115 120 125

FILE NAME = c:\projects\d501407 (vB)\70643_guardrail_xs_righ.dgn

USER NAME = collierbw
 PLOT SCALE = 10.0000 "/ IN.
 PLOT DATE = 12/20/2007

DESIGNED -
 DRAWN -
 CHECKED -
 DATE -

REVISED -
 REVISED -
 REVISED -
 REVISED -

STATE OF ILLINOIS
 DEPARTMENT OF TRANSPORTATION

WIDENING FOR TYPE 1 TERMINALS (EB)

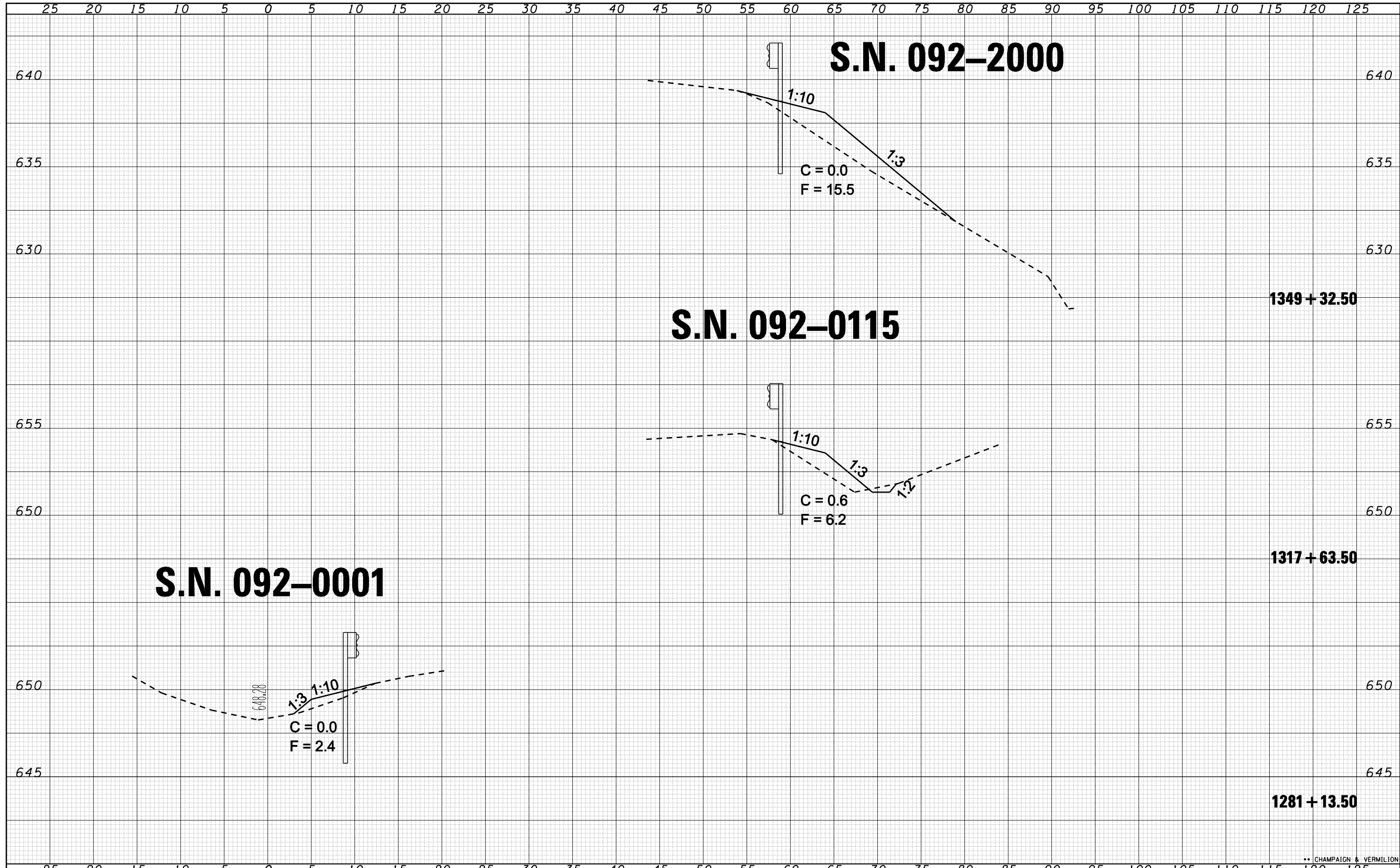
SCALE: SHEET NO. OF SHEETS STA. 1237+78.50 TO STA. 1281+51.50

F.A.P. RTE.	SECTION	COUNTY	TOTAL SHEETS	SHEET NO.
74	FY08HSIP	**	172	111
FED. ROAD DIST. NO. ILLINOIS FED. AID PROJECT			CONTRACT NO. 70643	

** CHAMPAIGN & VERMILION

DATE	
BY	
SURVEYED	
PLOTTED	
TEMPLATE	
AREAS	
CHECKED	
FINAL SURVEY	
NOTE BOOK	
NO.	

DATE	
BY	
SURVEYED	
PLOTTED	
TEMPLATE	
AREAS	
CHECKED	
ORIGINAL SURVEY	
NOTE BOOK	
NO.	

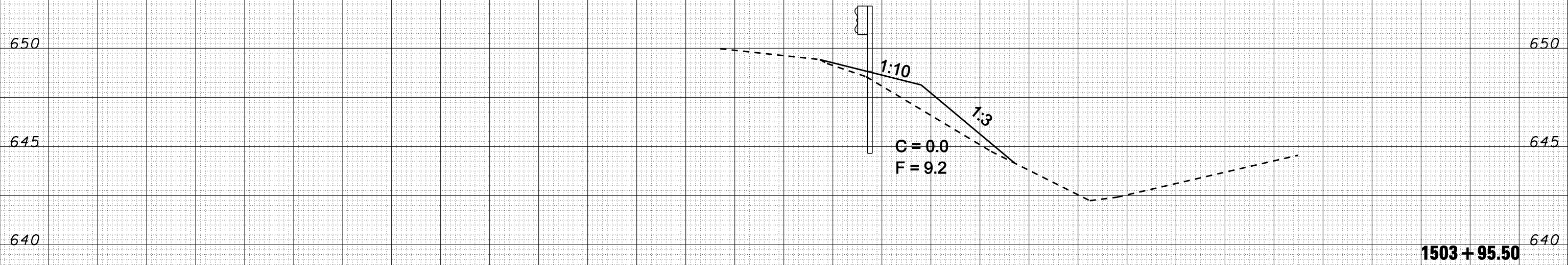


** CHAMPAIGN & VERMILION

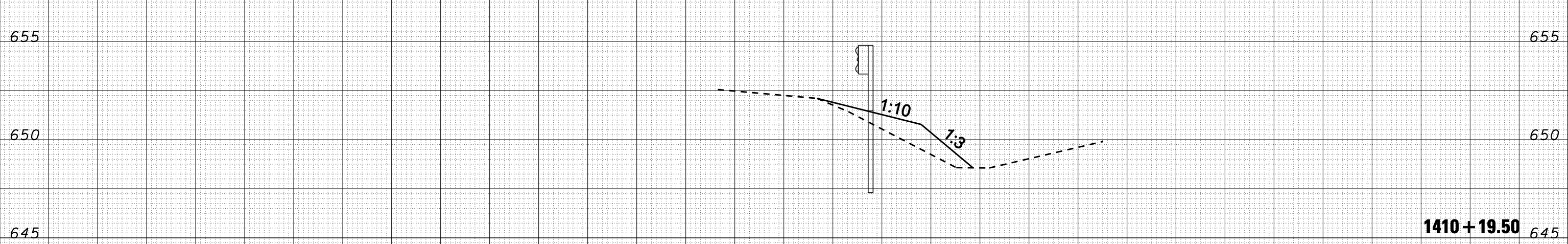
25 20 15 10 5 0 5 10 15 20 25 30 35 40 45 50 55 60 65 70 75 80 85 90 95 100 105 110 115 120 125

DATE	BY	SURVEYED	PLOTTED	TEMPLATE	AREAS	CHECKED
FINAL SURVEY NO.	NOTE BOOK NO.	AREAS CHECKED				

S.N. 092-0075



S.N. 092-0148



DATE	BY	SURVEYED	PLOTTED	TEMPLATE	AREAS	CHECKED
ORIGINAL SURVEY NO.	NOTE BOOK NO.	AREAS CHECKED				

25 20 15 10 5 0 5 10 15 20 25 30 35 40 45 50 55 60 65 70 75 80 85 90 95 100 105 110 115 120 125

FILE NAME = c:\projects\d501407 (vB)\70643_guardrail_xs_right.dgn

USER NAME = collier-bw
 PLOT SCALE = 10.0000 "/ IN.
 PLOT DATE = 12/20/2007

DESIGNED -
 DRAWN -
 CHECKED -
 DATE -

REVISED -
 REVISED -
 REVISED -
 REVISED -

**STATE OF ILLINOIS
 DEPARTMENT OF TRANSPORTATION**

WIDENING FOR TYPE 1 TERMINALS (EB)

SCALE: SHEET NO. OF SHEETS STA. 1410+19.50 TO STA. 1503+95.50

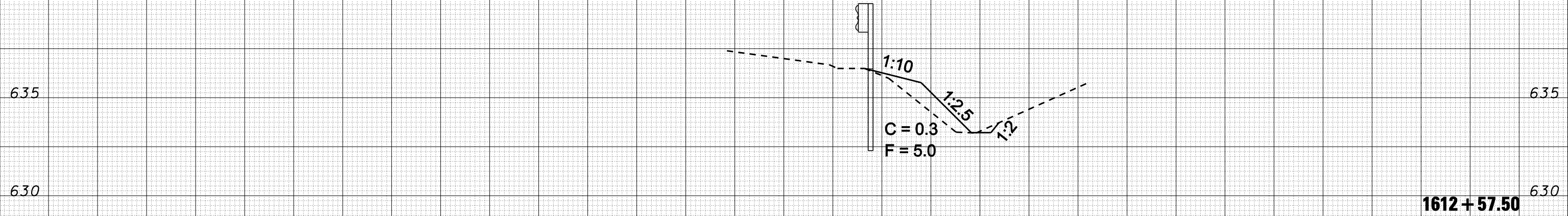
F.A.P. RTE.	SECTION	COUNTY	TOTAL SHEETS	SHEET NO.
74	FY08HSIP	**	172	113
FED. ROAD DIST. NO. ILLINOIS FED. AID PROJECT			CONTRACT NO. 70643	

** CHAMPAIGN & VERMILION

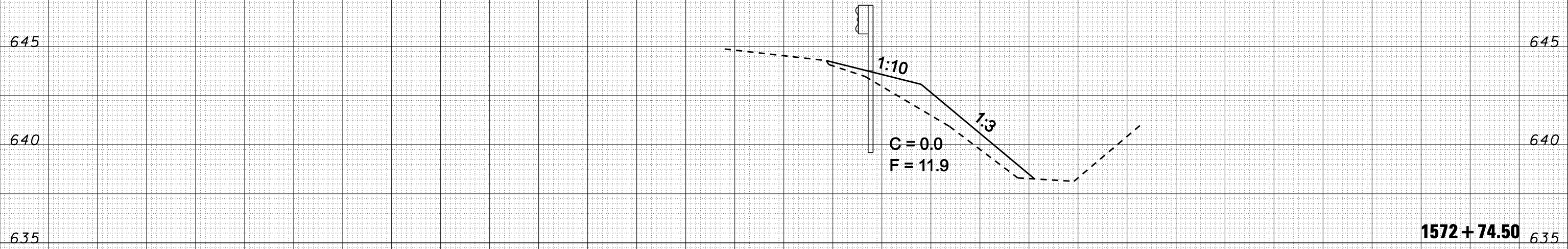
25 20 15 10 5 0 5 10 15 20 25 30 35 40 45 50 55 60 65 70 75 80 85 90 95 100 105 110 115 120 125

DATE	BY	SURVEYED	PLOTTED	TEMPLATE	AREAS	CHECKED
FINAL SURVEY NO.	NOTE BOOK NO.	AREAS CHECKED				

S.N. 092-0003



S.N. 092-0125



DATE	BY	SURVEYED	PLOTTED	TEMPLATE	AREAS	CHECKED
ORIGINAL SURVEY NO.	NOTE BOOK NO.	AREAS CHECKED				

25 20 15 10 5 0 5 10 15 20 25 30 35 40 45 50 55 60 65 70 75 80 85 90 95 100 105 110 115 120 125

FILE NAME = c:\projects\d501407 (vB)\70643_guardrail_xs_righ.dgn

USER NAME = collier-bw

PLOT SCALE = 10.0000 "/ IN.

PLOT DATE = 12/20/2007

DESIGNED -

DRAWN -

CHECKED -

DATE -

REVISED -

REVISED -

REVISED -

REVISED -

STATE OF ILLINOIS
DEPARTMENT OF TRANSPORTATION

WIDENING FOR TYPE 1 TERMINALS (EB)

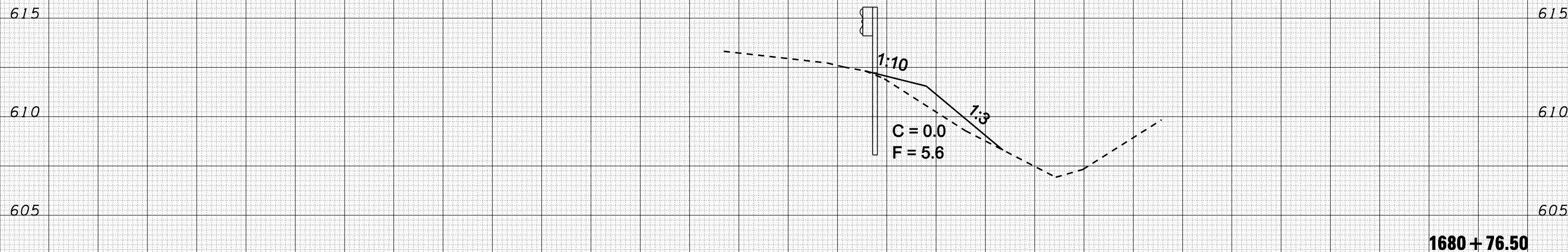
SCALE: SHEET NO. OF SHEETS STA. 1572+74.50 TO STA. 1612+57.50

F.A.P. RTE.	SECTION	COUNTY	TOTAL SHEETS	SHEET NO.
74	FY08HSIP	**	172	114
FED. ROAD DIST. NO. ILLINOIS FED. AID PROJECT			CONTRACT NO. 70643	

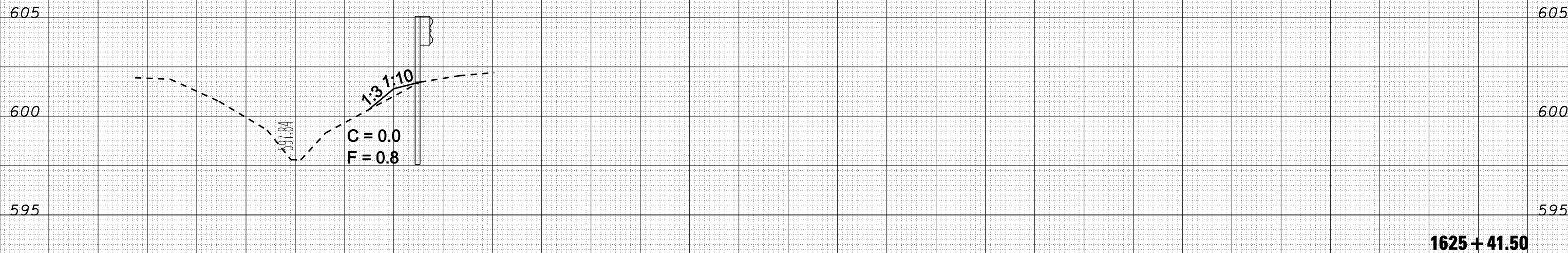
** CHAMPAIGN & VERMILION

DATE	
BY	
SURVEYED	
PLOTTED	
TEMPLATE	
AREAS	
CHECKED	
FINAL SURVEY	
NOTE BOOK	
NO.	

S.N. 092-0005



S.N. 092-0003



DATE	
BY	
SURVEYED	
PLOTTED	
TEMPLATE	
AREAS	
CHECKED	
ORIGINAL SURVEY	
NOTE BOOK	
NO.	

25 20 15 10 5 0 5 10 15 20 25 30 35 40 45 50 55 60 65 70 75 80 85 90 95 100 105 110 115 120 125

DATE	BY	SURVEYED	PLOTTED	TEMPLATE	AREAS	CHECKED
FINAL SURVEY NO.	NOTE BOOK NO.	AREAS	CHECKED			

S.N. 092-0099

645

645

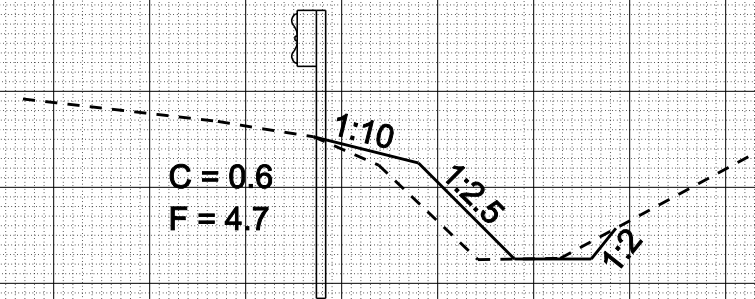
640

640

635

635

1723 + 22.50



DATE	BY	SURVEYED	PLOTTED	TEMPLATE	AREAS	CHECKED
ORIGINAL SURVEY NO.	NOTE BOOK NO.	AREAS	CHECKED			

S.N. 092-0051

620

620

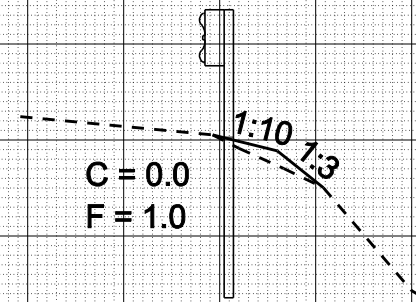
615

615

610

610

1692 + 53.50



25 20 15 10 5 0 5 10 15 20 25 30 35 40 45 50 55 60 65 70 75 80 85 90 95 100 105 110 115 120 125

FILE NAME = c:\projects\d501407 (vB)\70643_guardrail_xs_righ.dgn

USER NAME = collierbw
 DESIGNED -
 DRAWN -
 PLOT SCALE = 10.0000 "/ IN.
 CHECKED -
 PLOT DATE = 12/20/2007

REVISOR -
 REVISIONS -
 CHECKED -
 DATE -

REVISOR -
 REVISIONS -
 REVISOR -
 REVISIONS -

STATE OF ILLINOIS
 DEPARTMENT OF TRANSPORTATION

WIDENING FOR TYPE 1 TERMINALS (EB)

SCALE: SHEET NO. OF SHEETS STA. 1692+53.50 TO STA. 1723+22.50

F.A.P. RTE.	SECTION	COUNTY	TOTAL SHEETS	SHEET NO.
74	FY08HSIP	**	172	116
FED. ROAD DIST. NO. ILLINOIS FED. AID PROJECT			CONTRACT NO. 70643	

** CHAMPAIGN & VERMILION

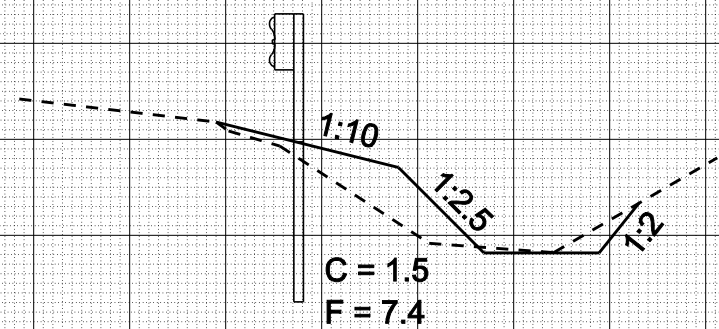
25 20 15 10 5 0 5 10 15 20 25 30 35 40 45 50 55 60 65 70 75 80 85 90 95 100 105 110 115 120 125

DATE	
BY	
SURVEYED	
PLOTTED	
TEMPLATE	
AREAS	
CHECKED	
FINAL SURVEY NOTE BOOK NO.	

S.N. 092-0126

630

625



630

625

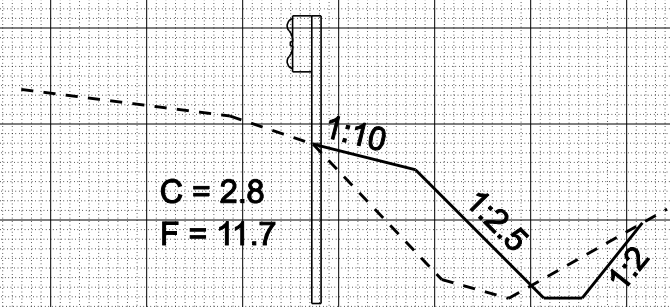
1739 + 50.50

PIPE CULVERT AT 1732 + 55

640

635

630



640

635

630

1730 + 20.50

** CHAMPAIGN & VERMILION

25 20 15 10 5 0 5 10 15 20 25 30 35 40 45 50 55 60 65 70 75 80 85 90 95 100 105 110 115 120 125

FILE NAME = c:\projects\d501407 (vB)\70643_guardrail_xs_righ.dgn

USER NAME = collier-bw
 PLOT SCALE = 10.0000 "/ IN.
 PLOT DATE = 12/20/2007

DESIGNED -
 DRAWN -
 CHECKED -
 DATE -

REVISED -
 REVISED -
 REVISED -
 REVISED -

STATE OF ILLINOIS
 DEPARTMENT OF TRANSPORTATION

WIDENING FOR TYPE 1 TERMINALS (EB)

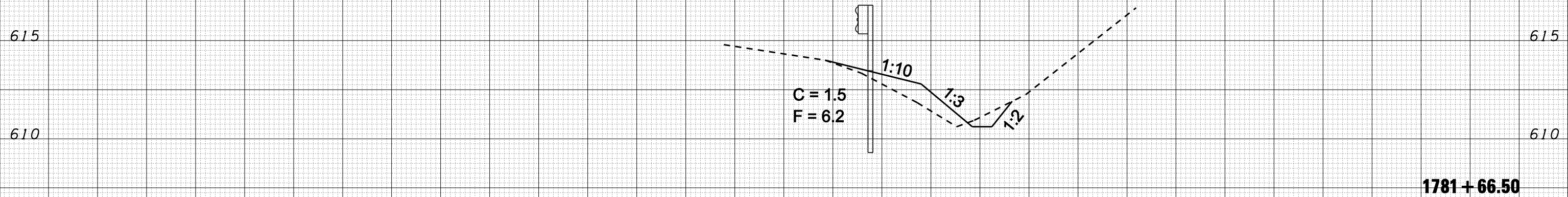
SCALE: SHEET NO. OF SHEETS STA. 1730+20.50 TO STA. 1739+50.50

F.A.P. RTE.	SECTION	COUNTY	TOTAL SHEETS	SHEET NO.
74	FY08HSIP	**	172	117
FED. ROAD DIST. NO. ILLINOIS FED. AID PROJECT			CONTRACT NO. 70643	

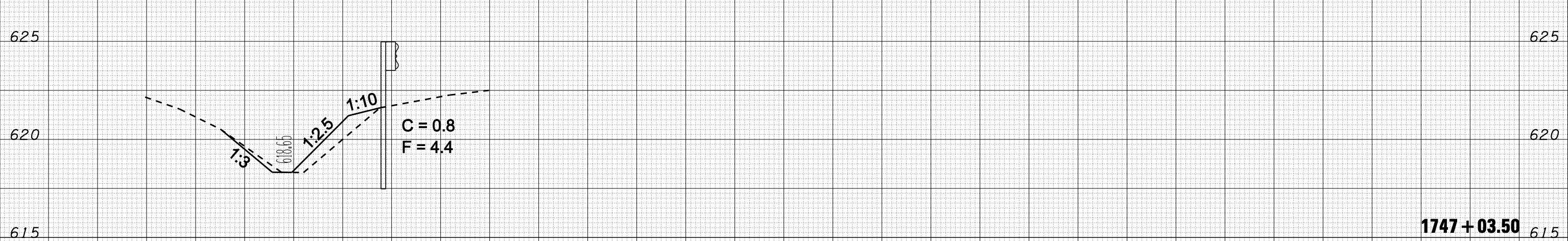
25 20 15 10 5 0 5 10 15 20 25 30 35 40 45 50 55 60 65 70 75 80 85 90 95 100 105 110 115 120 125

DATE	
BY	
SURVEYED	
PLOTTED	
TEMPLATE	
AREAS	
CHECKED	
FINAL SURVEY NOTE BOOK NO.	

PIPE CULVERT AT 1784 + 75



S.N. 092-0006



DATE	
BY	
SURVEYED	
PLOTTED	
TEMPLATE	
AREAS	
CHECKED	
ORIGINAL SURVEY NOTE BOOK NO.	

25 20 15 10 5 0 5 10 15 20 25 30 35 40 45 50 55 60 65 70 75 80 85 90 95 100 105 110 115 120 125

FILE NAME =	USER NAME = collierbw	DESIGNED -	REVISED -
cs:\projects\d501407 (vB)\70643-guandrol.xs_righ.dgn		DRAWN -	REVISED -
		CHECKED -	REVISED -
		DATE -	REVISED -

STATE OF ILLINOIS
DEPARTMENT OF TRANSPORTATION

WIDENING FOR TYPE 1 TERMINALS (EB)

SCALE: SHEET NO. OF SHEETS STA. 1747+03.50 TO STA. 1781+66.50

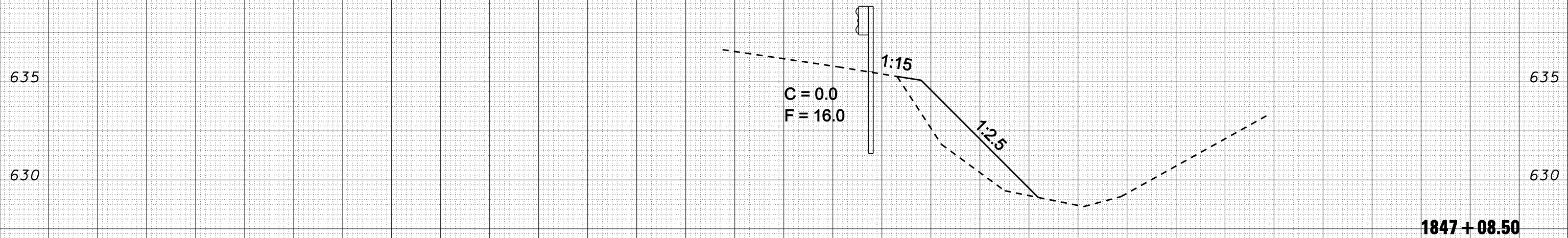
F.A.P. RTE.	SECTION	COUNTY	TOTAL SHEETS	SHEET NO.
74	FY08HSIP	**	172	118
FED. ROAD DIST. NO. ILLINOIS FED. AID PROJECT			CONTRACT NO. 70643	

** CHAMPAIGN & VERMILION

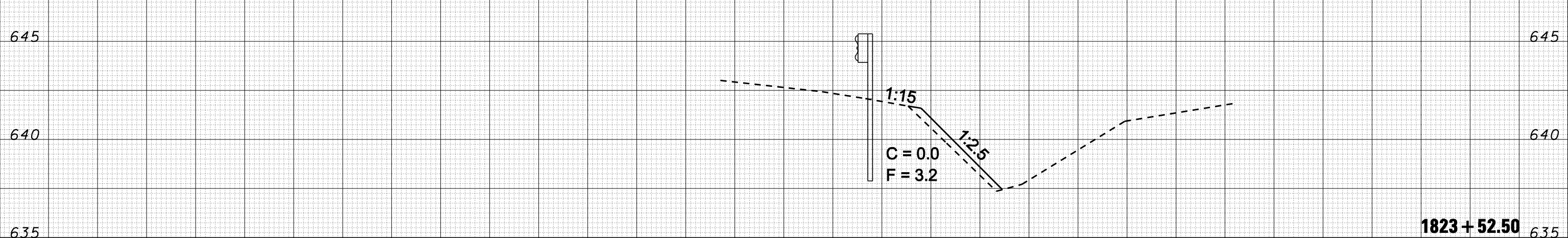
25 20 15 10 5 0 5 10 15 20 25 30 35 40 45 50 55 60 65 70 75 80 85 90 95 100 105 110 115 120 125

DATE	
BY	
SURVEYED	
PLOTTED	
TEMPLATE	
AREAS	
CHECKED	
FINAL SURVEY	
NOTE BOOK	
NO.	

S.N. 092-0008



S.N. 092-0128



DATE	
BY	
SURVEYED	
PLOTTED	
TEMPLATE	
AREAS	
CHECKED	
ORIGINAL SURVEY	
NOTE BOOK	
NO.	

25 20 15 10 5 0 5 10 15 20 25 30 35 40 45 50 55 60 65 70 75 80 85 90 95 100 105 110 115 120 125

FILE NAME = c:\projects\d501407 (vB)\70643_guardrail_xs_righ.dgn

USER NAME = collier-bw
 PLOT SCALE = 10.0000 "/ IN.
 PLOT DATE = 12/20/2007

DESIGNED -
 DRAWN -
 CHECKED -
 DATE -

REVISED -
 REVISED -
 REVISED -
 REVISED -

**STATE OF ILLINOIS
 DEPARTMENT OF TRANSPORTATION**

WIDENING FOR TYPE 1 TERMINALS (EB)

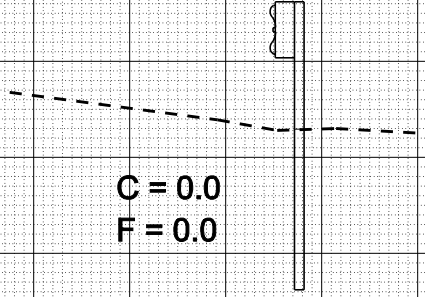
SCALE: SHEET NO. OF SHEETS STA. 1823+52.50 TO STA. 1847+08.50

F.A.P. RTE.	SECTION	COUNTY	TOTAL SHEETS	SHEET NO.
74	FY08HSIP	**	172	119
FED. ROAD DIST. NO. ILLINOIS FED. AID PROJECT			CONTRACT NO. 70643	

** CHAMPAIGN & VERMILION

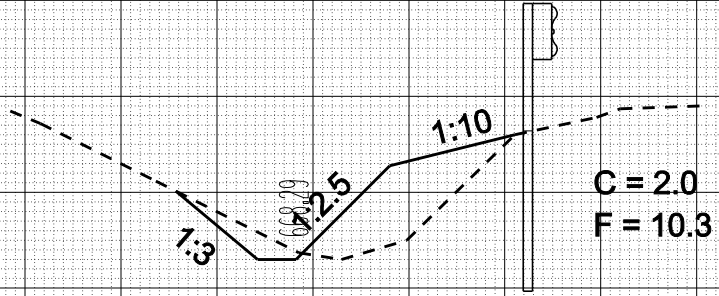
25 20 15 10 5 0 5 10 15 20 25 30 35 40 45 50 55 60 65 70 75 80 85 90 95 100 105 110 115 120 125

S.N. 092-0010



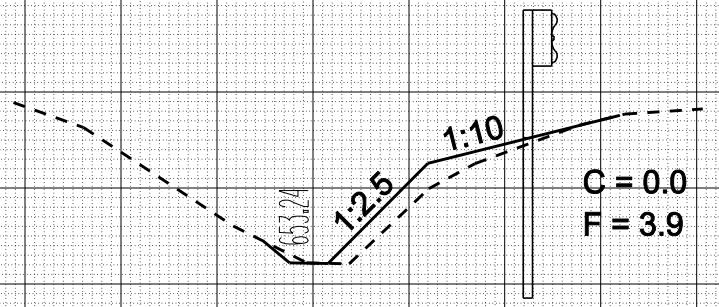
1884 + 62.50

S.N. 092-0008



1872 + 58.50

SIGN TRUSS AT 1859 + 85



1858 + 16.50

DATE	
BY	
SURVEYED	
PLOTTED	
TEMPLATE	
AREAS	
CHECKED	
FINAL SURVEY	
NOTE BOOK	
NO.	

DATE	
BY	
SURVEYED	
PLOTTED	
TEMPLATE	
AREAS	
CHECKED	
ORIGINAL SURVEY	
NOTE BOOK	
NO.	

25 20 15 10 5 0 5 10 15 20 25 30 35 40 45 50 55 60 65 70 75 80 85 90 95 100 105 110 115 120 125

FILE NAME = c:\projects\d501407 (vB)\70643_guardrail_xs_right.dgn

USER NAME = collierbw
PLOT SCALE = 10.0000 "/ IN.
PLOT DATE = 12/20/2007

DESIGNED -
DRAWN -
CHECKED -
DATE -

REVISED -
REVISED -
REVISED -
REVISED -

STATE OF ILLINOIS
DEPARTMENT OF TRANSPORTATION

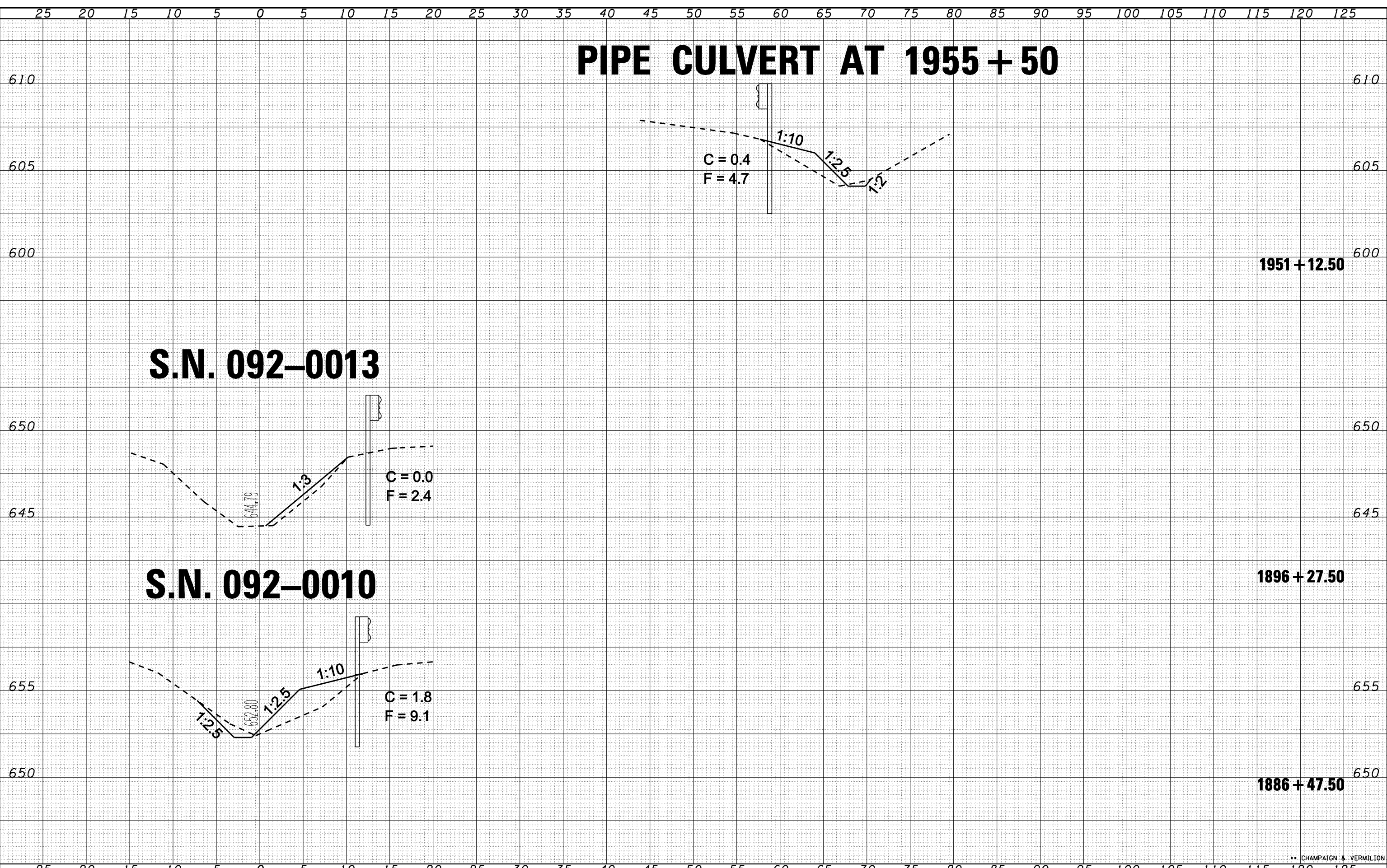
WIDENING FOR TYPE 1 TERMINALS (EB)

SCALE: SHEET NO. OF SHEETS STA. 1858+16.50 TO STA. 1884+62.50

F.A.P. RTE.	SECTION	COUNTY	TOTAL SHEETS	SHEET NO.
74	FY08HSIP	**	172	120
FED. ROAD DIST. NO. ILLINOIS FED. AID PROJECT			CONTRACT NO. 70643	

** CHAMPAIGN & VERMILION

PIPE CULVERT AT 1955 + 50



S.N. 092-0013

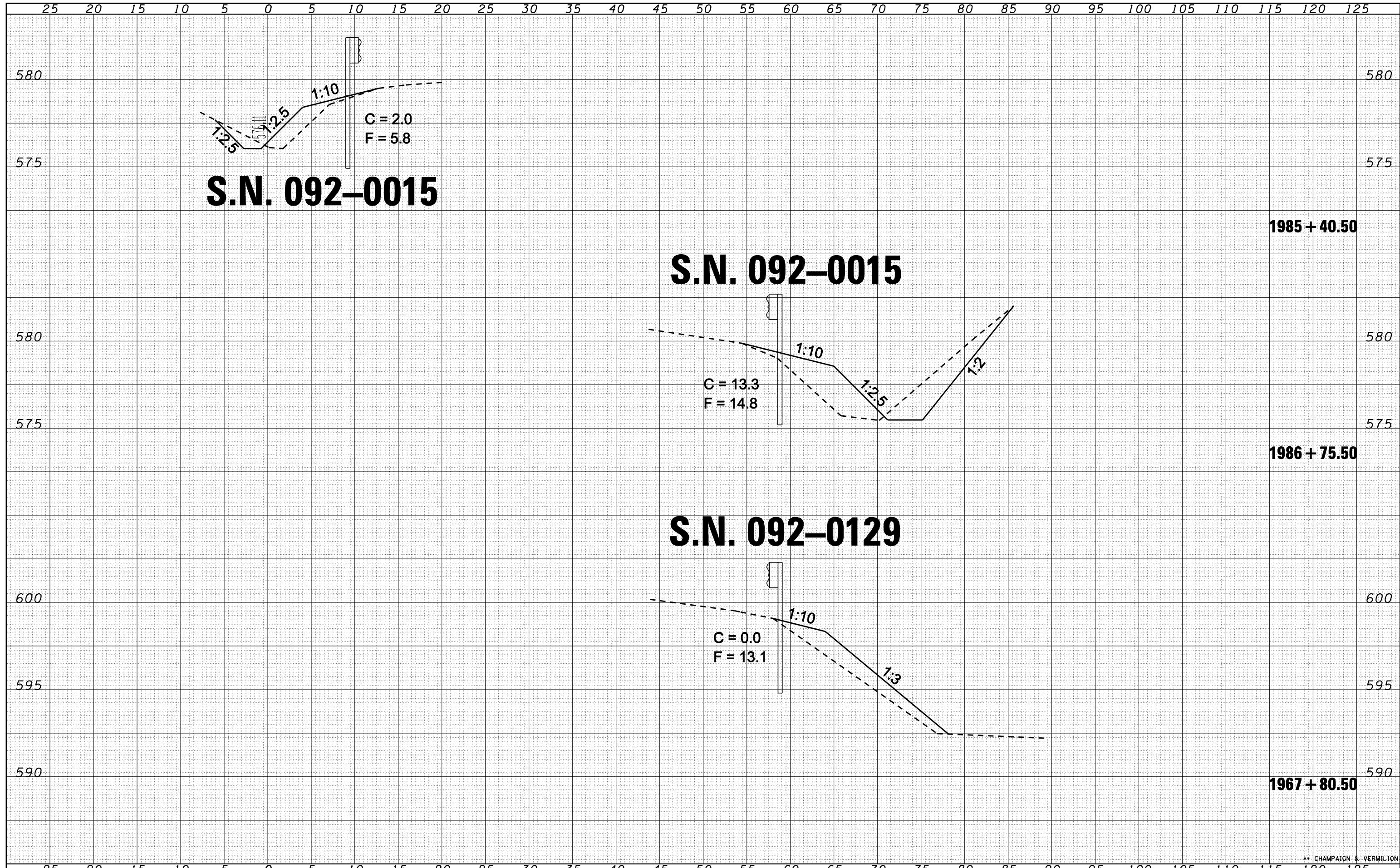
S.N. 092-0010

DATE	
BY	
SURVEYED	
PLOTTED	
TEMPLATE	
AREAS	
CHECKED	
FINAL SURVEY	
NOTE BOOK	
NO.	

DATE	
BY	
SURVEYED	
PLOTTED	
TEMPLATE	
AREAS	
CHECKED	
ORIGINAL SURVEY	
NOTE BOOK	
NO.	

DATE	
BY	
FINAL SURVEY	
SURVEYED	
NOTE BOOK	
NO.	
PLOTTED	
TEMPLATE	
AREAS	
CHECKED	

DATE	
BY	
ORIGINAL SURVEY	
SURVEYED	
NOTE BOOK	
NO.	
PLOTTED	
TEMPLATE	
AREAS	
CHECKED	



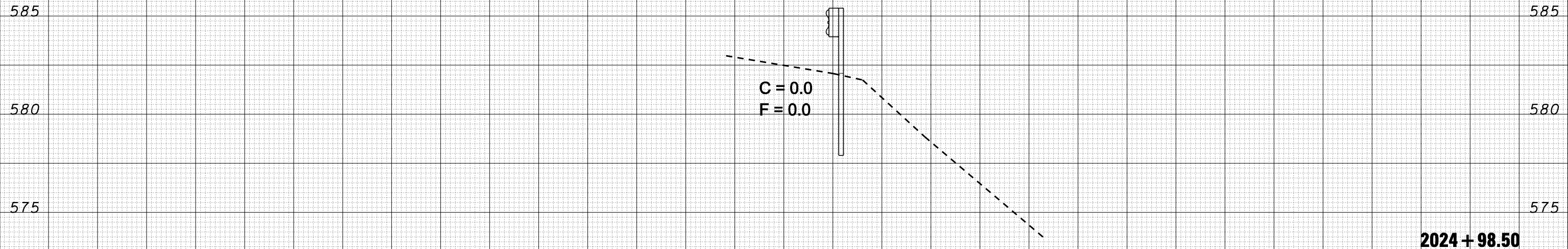
FILE NAME = c:\projects\d501407 (vB)\70643_guardrail_xs_right.dgn
 USER NAME = collierbw
 PLOT SCALE = 10.0000 "/>

DESIGNED -	REVISIED -
DRAWN -	REVISIED -
CHECKED -	REVISIED -
DATE -	REVISIED -

25 20 15 10 5 0 5 10 15 20 25 30 35 40 45 50 55 60 65 70 75 80 85 90 95 100 105 110 115 120 125

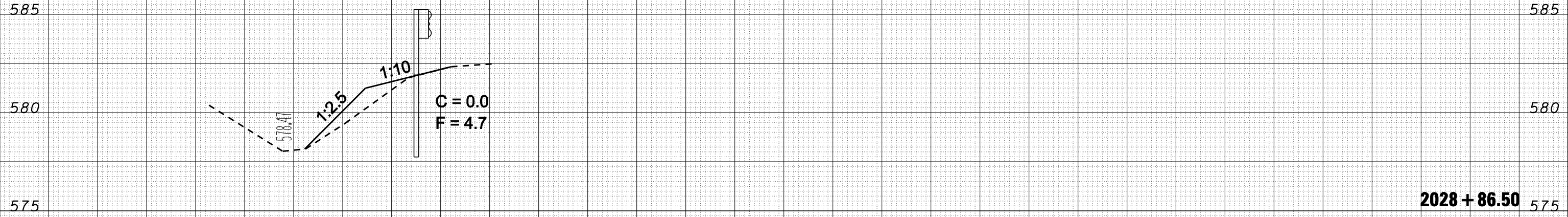
DATE	BY	SURVEYED	PLOTTED	TEMPLATE	AREAS	CHECKED
FINL	SURVEY	NOTE	BOOK	NO.		

S.N. 092-0016



2024 + 98.50

S.N. 092-0016



2028 + 86.50

** CHAMPAIGN & VERMILION

FILE NAME =	USER NAME = collierbw	DESIGNED -	REVISED -	<p align="center">STATE OF ILLINOIS DEPARTMENT OF TRANSPORTATION</p> <p align="center">WIDENING FOR TYPE 1 TERMINALS (EB)</p>	F.A.P. RTE.	SECTION	COUNTY	TOTAL SHEETS	SHEET NO.
ca:\projects\d501407 (vB)\70643-guardrail_xs_righ.dgn		DRAWN -	REVISED -		74	FY08HSIP	**	172	123
PLOT SCALE = 10.0000 "/> <td></td> <td>CHECKED -</td> <td>REVISED -</td> <td colspan="5">CONTRACT NO. 70643</td>		CHECKED -	REVISED -		CONTRACT NO. 70643				
PLOT DATE = 12/20/2007		DATE -	REVISED -		FED. ROAD DIST. NO. ILLINOIS FED. AID PROJECT				

SCALE: SHEET NO. OF SHEETS STA. 2024+98.50 TO STA. 2028+96.50

25 20 15 10 5 0 5 10 15 20 25 30 35 40 45 50 55 60 65 70 75 80 85 90 95 100 105 110 115 120 125

S.N. 092-0151

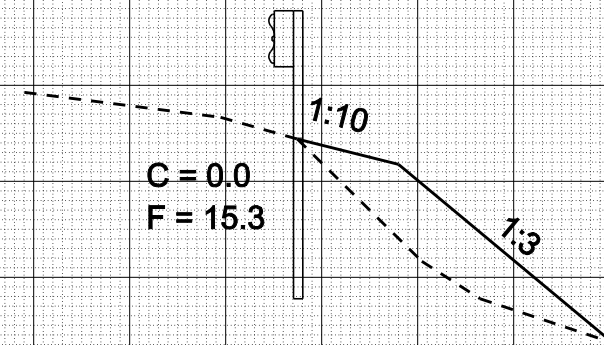
640

640

635

635

2137 + 07.50



S.N. 092-2001

580

580

575

575

570

570

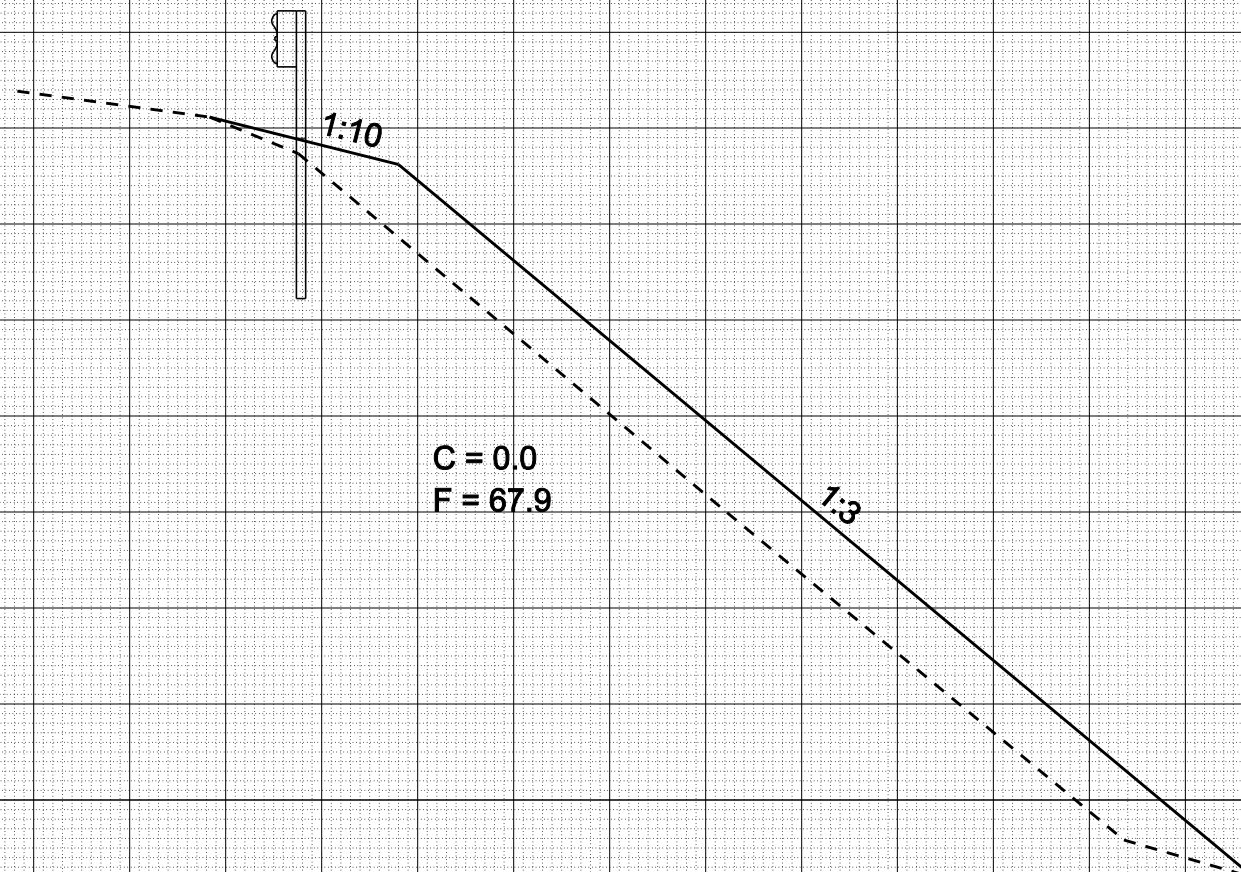
565

565

560

560

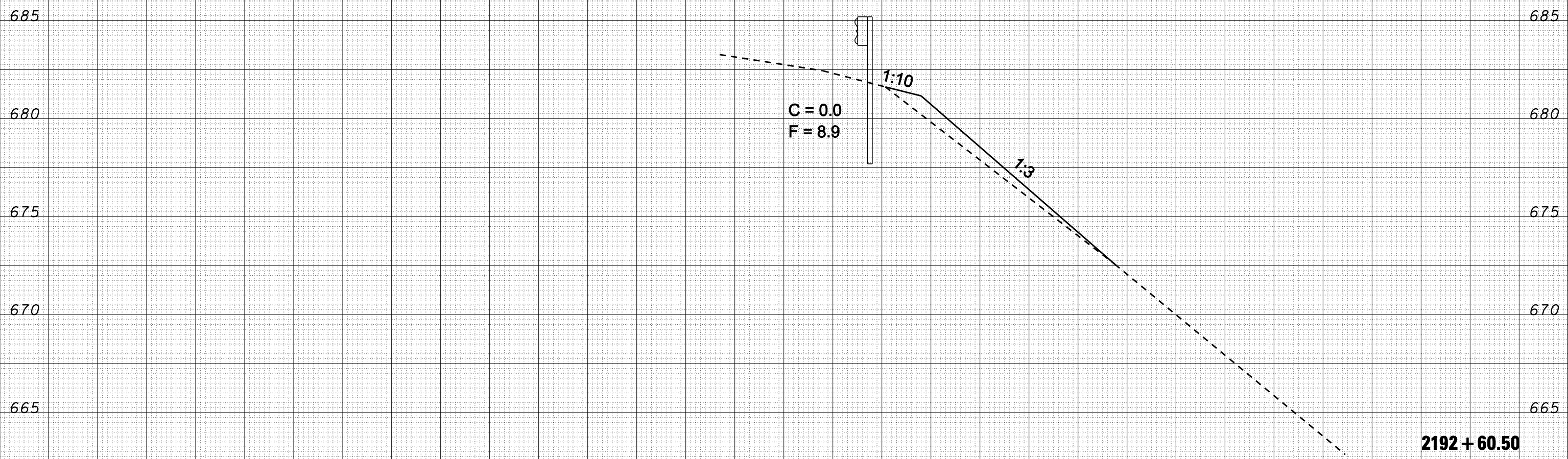
2076 + 40.50



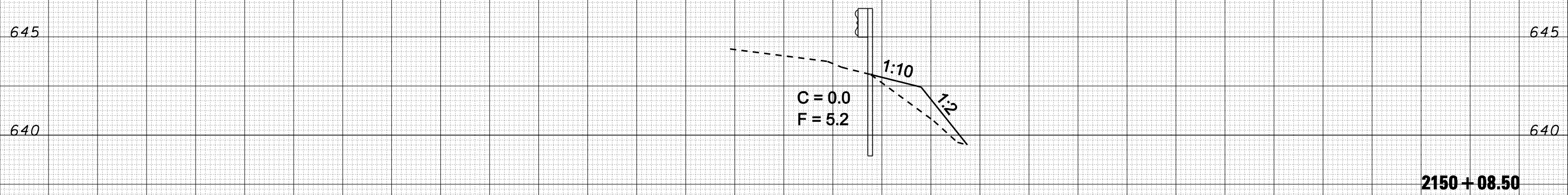
DATE	BY	SURVEYED	PLOTTED	TEMPLATE	AREAS	CHECKED
FINAL SURVEY NO.	NOTE BOOK NO.	AREAS CHECKED				

DATE	BY	SURVEYED	PLOTTED	TEMPLATE	AREAS	CHECKED
ORIGINAL SURVEY NO.	NOTE BOOK NO.	AREAS CHECKED				

S.N. 092-0024



S.N. 092-0022



DATE	BY	SURVEYED	PLOTTED	TEMPLATE	AREAS	CHECKED
FINAL SURVEY NO.	NOTE BOOK NO.	AREAS CHECKED				

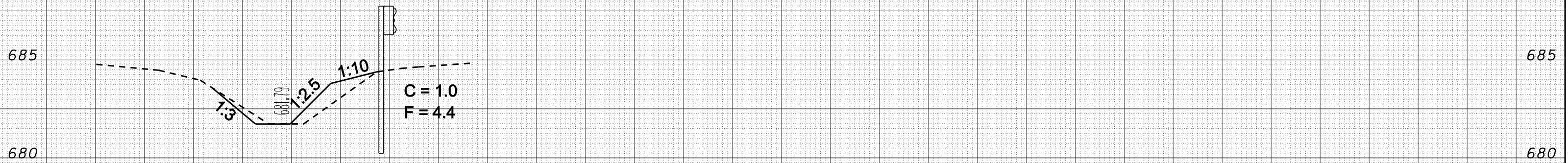
DATE	BY	SURVEYED	PLOTTED	TEMPLATE	AREAS	CHECKED
ORIGINAL SURVEY NO.	NOTE BOOK NO.	AREAS CHECKED				

** CHAMPAIGN & VERMILION

25 20 15 10 5 0 5 10 15 20 25 30 35 40 45 50 55 60 65 70 75 80 85 90 95 100 105 110 115 120 125

DATE	BY	SURVEYED	PLOTTED	AREAS CHECKED
FINL SURVEY	NOTE BOOK	NO.	NO.	NO.

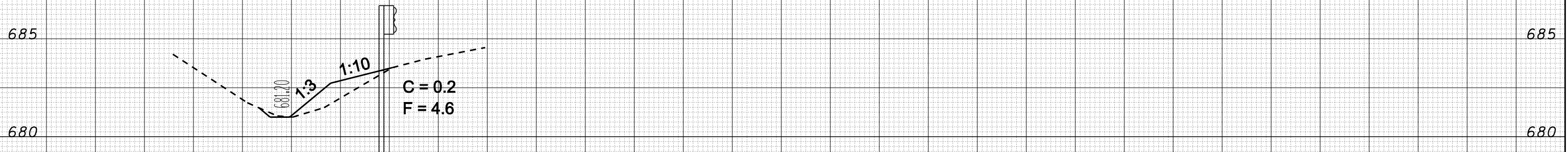
S.N. 092-0026



2209 + 97.50

DATE	BY	SURVEYED	PLOTTED	AREAS CHECKED
ORIGINAL SURVEY	NOTE BOOK	NO.	NO.	NO.

S.N. 092-0024



2198 + 87.50

** CHAMPAIGN & VERMILION

FILE NAME = c:\projects\d501407 (vB)\70643_guardrail_xs_righ.dgn

USER NAME = collierbw
 PLOT SCALE = 10.0000 "/ IN.
 PLOT DATE = 12/20/2007

DESIGNED -
 DRAWN -
 CHECKED -
 DATE -

REVISED -
 REVISED -
 REVISED -
 REVISED -

**STATE OF ILLINOIS
 DEPARTMENT OF TRANSPORTATION**

WIDENING FOR TYPE 1 TERMINALS (EB)

SCALE: SHEET NO. OF SHEETS STA. 2198+87.50 TO STA. 2209+97.50

F.A.P. RTE.	SECTION	COUNTY	TOTAL SHEETS	SHEET NO.
74	FY08HSIP	**	172	126
FED. ROAD DIST. NO. ILLINOIS FED. AID PROJECT			CONTRACT NO. 70643	

ORIGINAL SURVEY	SURVEYED	BY	DATE
NOTE BOOK	PLOTTED		
	TEMPLATE		
	AREAS		
	AREAS CHECKED		

FINAL SURVEY	SURVEYED	BY	DATE
NOTE BOOK	PLOTTED		
	TEMPLATE		
	AREAS		
	AREAS CHECKED		

20 15 10 5 0 5 10 15 20

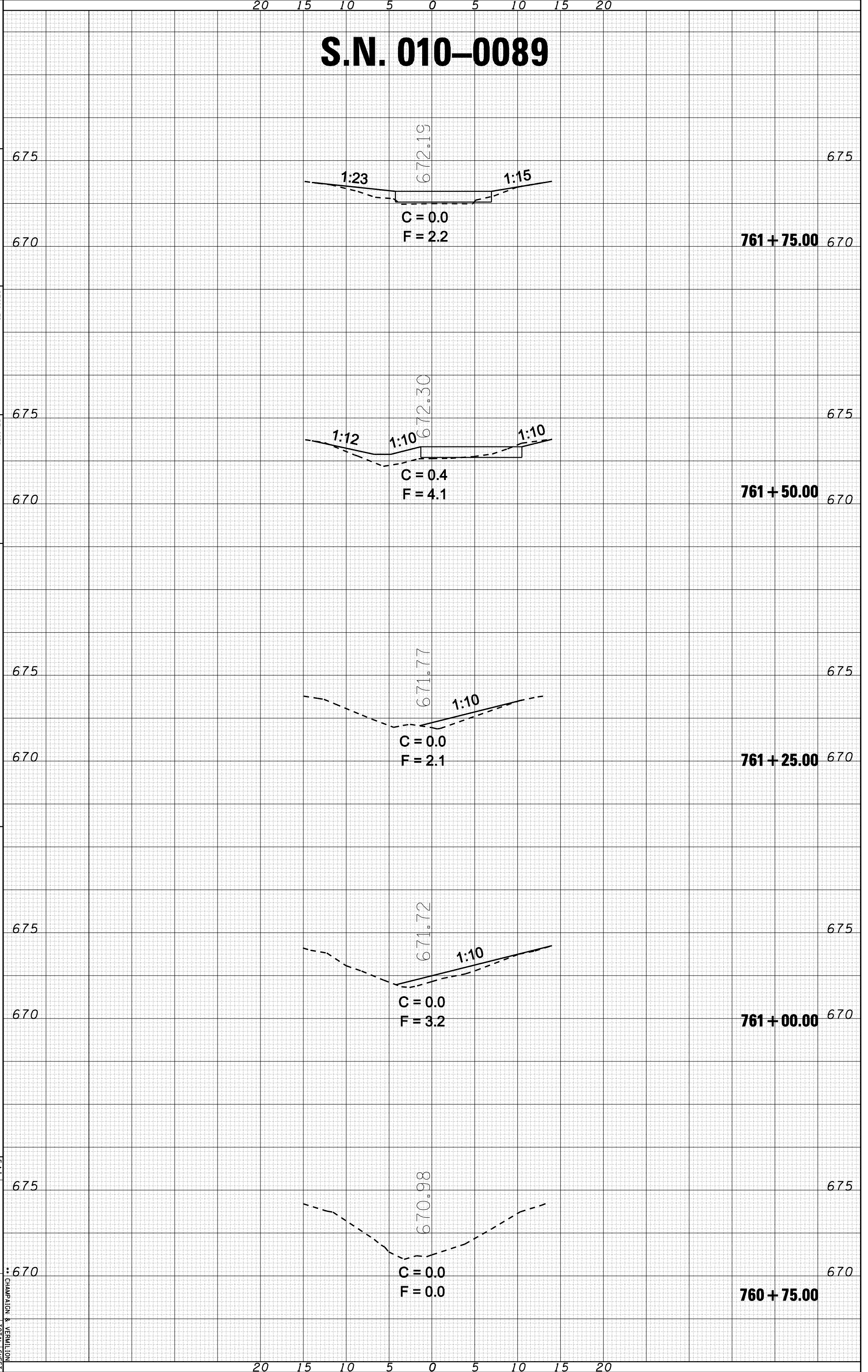
S.N. 010-0089

FILE NAME =
 USER NAME = collier-ba
 DESIGNED -
 DRAWN -
 CHECKED -
 DATE -
 REVISED -
 REVISED -
 REVISED -
 DATE -

STATE OF ILLINOIS
 DEPARTMENT OF TRANSPORTATION

SCALE:
 SHEET NO. OF SHEETS
 STA. 760+75.00 TO STA. 761+75.00

F.A.I. RT# 74
 SECTION FV08MS1P
 COUNTY **
 CHAMPAIGN & VERMILION
 CONTRACT NO. 70643



20 15 10 5 0 5 10 15 20

ORIGINAL SURVEY	SURVEYED	BY	DATE
NOTE BOOK	PLOTTED		
	TEMPLATE		
	AREAS		
	AREAS CHECKED		

FINAL SURVEY	SURVEYED	BY	DATE
NOTE BOOK	PLOTTED		
	TEMPLATE		
	AREAS		
	AREAS CHECKED		

20 15 10 5 0 5 10 15 20

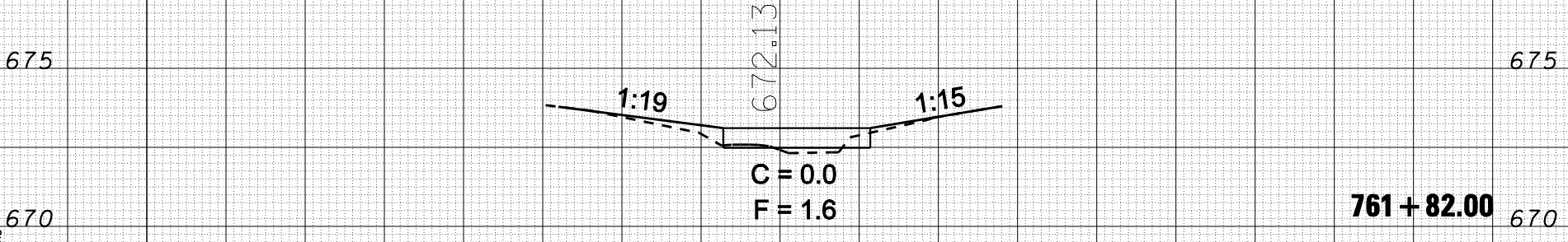
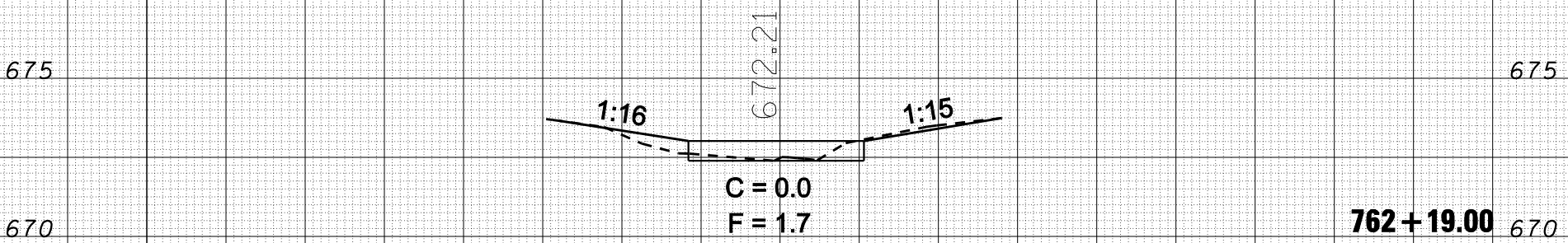
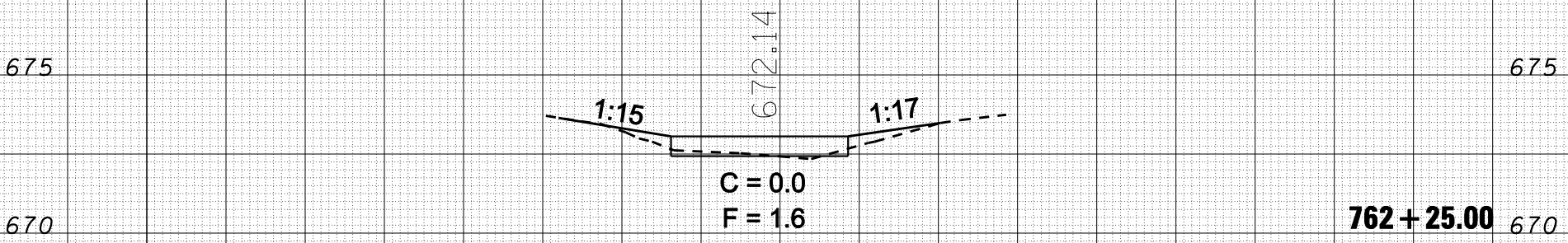
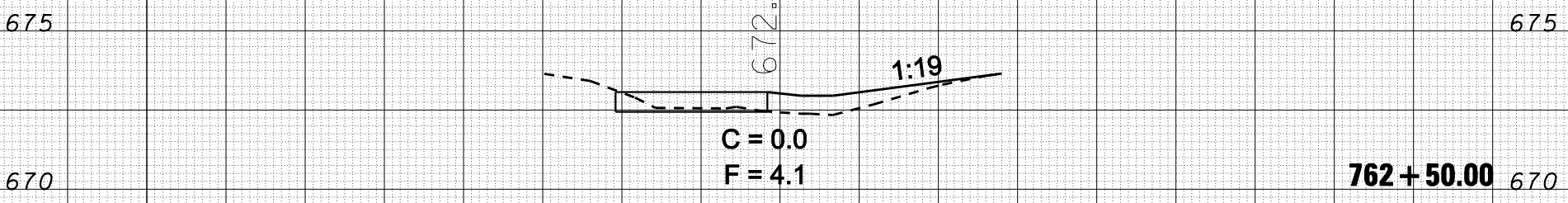
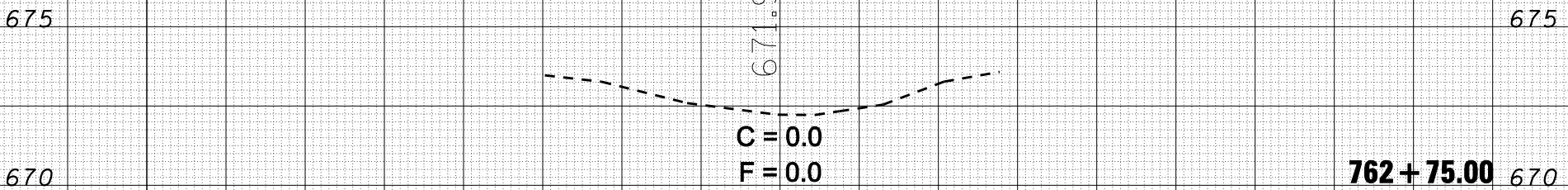
S.N. 010-0089

FILE NAME =
 USER NAME = collier-ba
 DESIGNER -
 DRAWN -
 CHECKED -
 DATE -
 REVISED -
 REVISED -
 REVISED -
 REVISED -
 PLOT SCALE = 1:62500 / IN.
 PLOT DATE = 12/28/2007

STATE OF ILLINOIS
 DEPARTMENT OF TRANSPORTATION

SCALE:
 SHEET NO. OF SHEETS STA. 761+82.00 TO STA. 762+75.00
 MEDIAN CROSS SECTIONS

F.A.I. RT# 74
 SECTION COUNTY TOTAL SHEET NO. 172 128
 CHAMPAIGN & VERMILION
 FED. ROAD DIST. NO. ILLINOIS FED. AID PROJECT CONTRACT NO. 70643



20 15 10 5 0 5 10 15 20

ORIGINAL SURVEY	SURVEYED	BY	DATE
NOTE BOOK	PLOTTED		
	TEMPLATE		
	AREAS		
	AREAS CHECKED		

FINAL SURVEY	SURVEYED	BY	DATE
NOTE BOOK	PLOTTED		
	TEMPLATE		
	AREAS		
	AREAS CHECKED		

20 15 10 5 0 5 10 15 20

S.N. 010-0182

FILE NAME =
 c:\p\projects\9501407\48\cross sections\74\1.sxdgn
 USER NAME = collier-ba
 PLOT SCALE = 10.0000' / IN.
 PLOT DATE = 12/20/2007

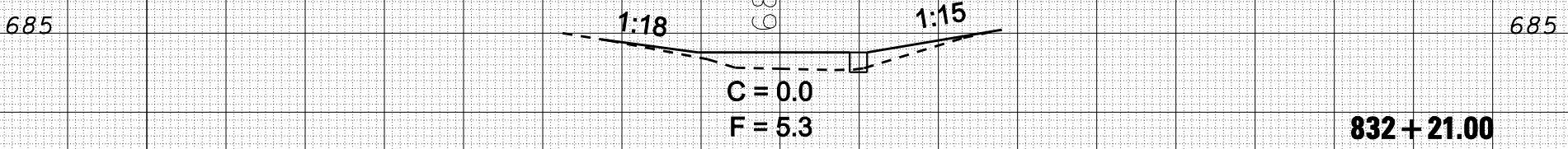
DESIGNED -
 DRAWN -
 CHECKED -
 DATE -

REVISED -
 REVISED -
 REVISED -
 REVISED -

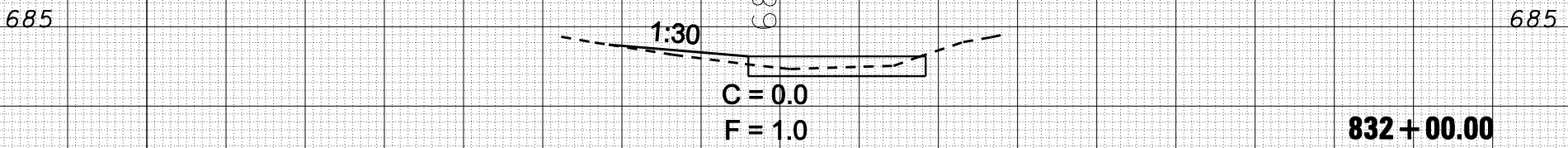
STATE OF ILLINOIS
 DEPARTMENT OF TRANSPORTATION

SCALE:
 SHEET NO. OF SHEETS
 STA. 831+25.00 TO STA. 832+21.00

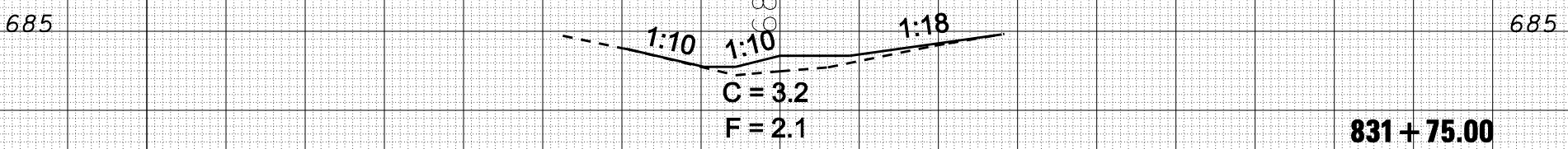
F.A.I. RT# 74
 SECTION FV08MS1P
 COUNTY **
 CHAMPAIGN & VERMILION
 TOTAL SHEET NO. 172
 SHEETS 129
 CONTRACT NO. 70643
 FED. ROAD DIST. NO. ILLINOIS FED. AID PROJECT



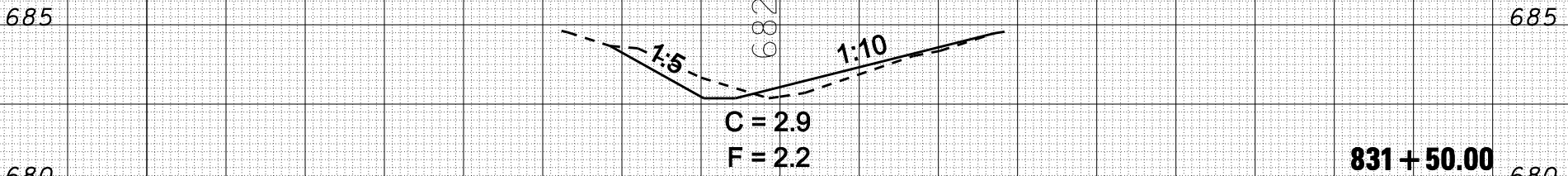
832 + 21.00



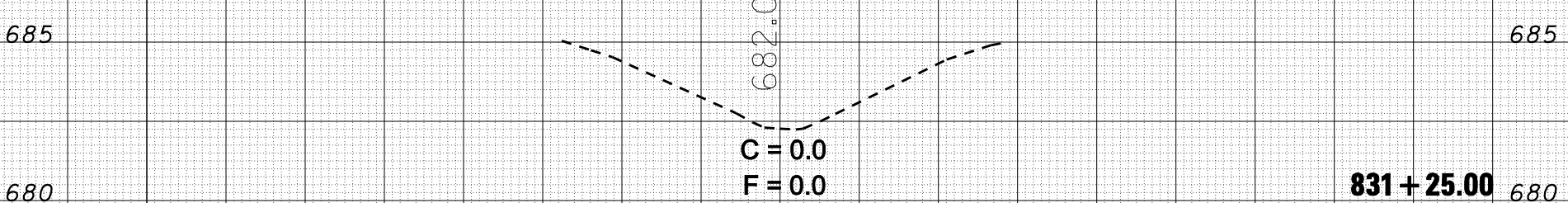
832 + 00.00



831 + 75.00



831 + 50.00



831 + 25.00

20 15 10 5 0 5 10 15 20

ORIGINAL SURVEY	SURVEYED	BY	DATE
NOTE BOOK	PLOTTED		
	TEMPLATE		
	AREAS		
	AREAS CHECKED		

FINAL SURVEY	SURVEYED	BY	DATE
NOTE BOOK	PLOTTED		
	TEMPLATE		
	AREAS		
	AREAS CHECKED		

20 15 10 5 0 5 10 15 20

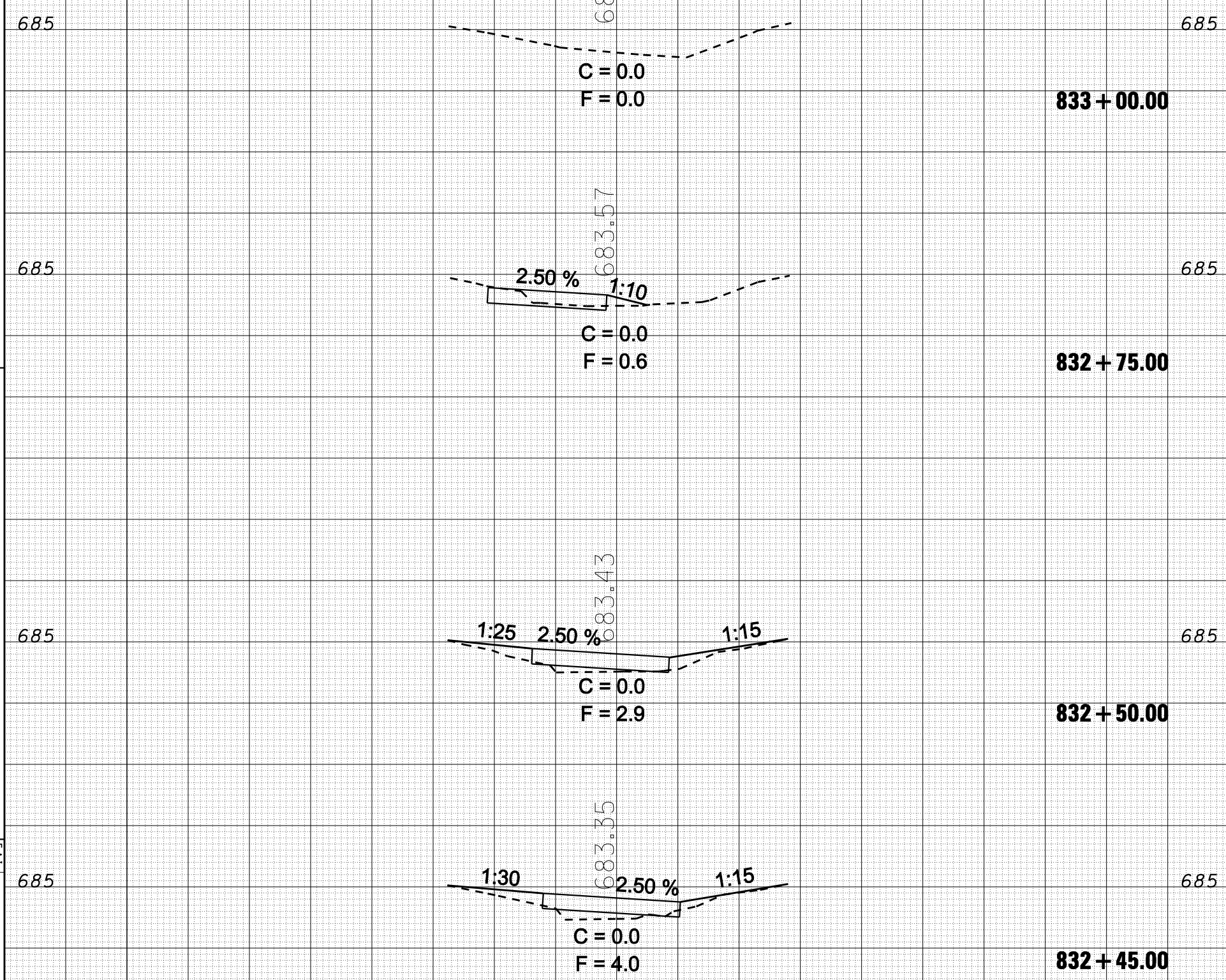
S.N. 010-0182

FILE NAME =
 USER NAME = collier-ba
 DESIGNED -
 DRAWN -
 CHECKED -
 DATE -
 REVISED -
 REVISED -
 REVISED -

STATE OF ILLINOIS
 DEPARTMENT OF TRANSPORTATION

SCALE:
 SHEET NO. OF SHEETS STA. 832+45.00 TO STA. 833+00.00

F.A.I. RT# 74 SECTION COUNTY TOTAL SHEET NO. 172 130
 ILLINOIS FED. AID PROJECT CONTRACT NO. 70643

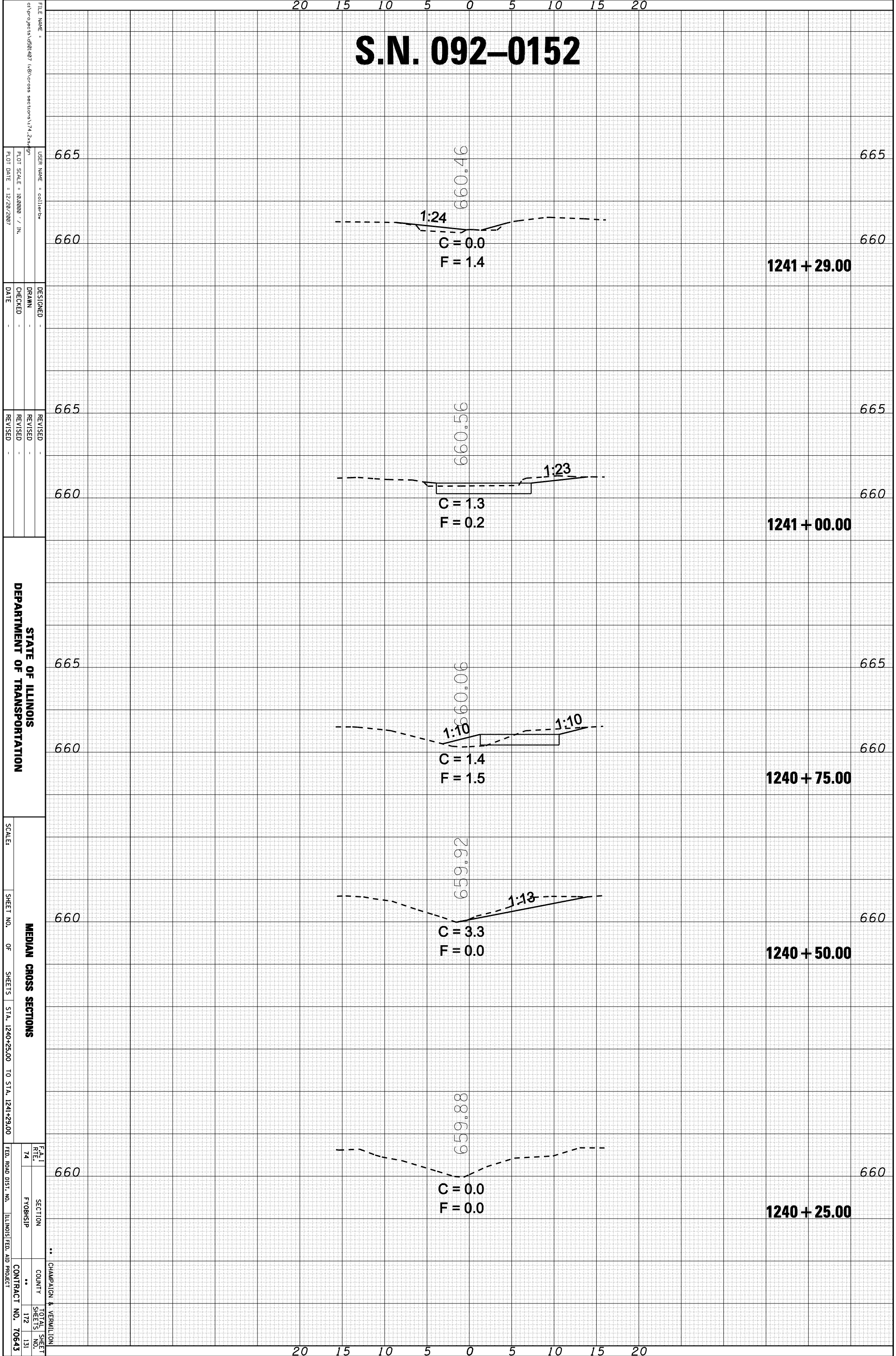


20 15 10 5 0 5 10 15 20

ORIGINAL SURVEY	SURVEYED	BY	DATE
NOTE BOOK	PLOTTED		
	TEMPLATE		
	AREAS		
	AREAS CHECKED		

FINAL SURVEY	SURVEYED	BY	DATE
NOTE BOOK	PLOTTED		
	TEMPLATE		
	AREAS		
	AREAS CHECKED		

S.N. 092-0152



FILE NAME =
 USER NAME = collier-ba
 DESIGNED -
 DRAWN -
 CHECKED -
 DATE -

DESIGNED -
 DRAWN -
 CHECKED -
 DATE -

REVISOR
 REVISION
 DATE

STATE OF ILLINOIS
 DEPARTMENT OF TRANSPORTATION

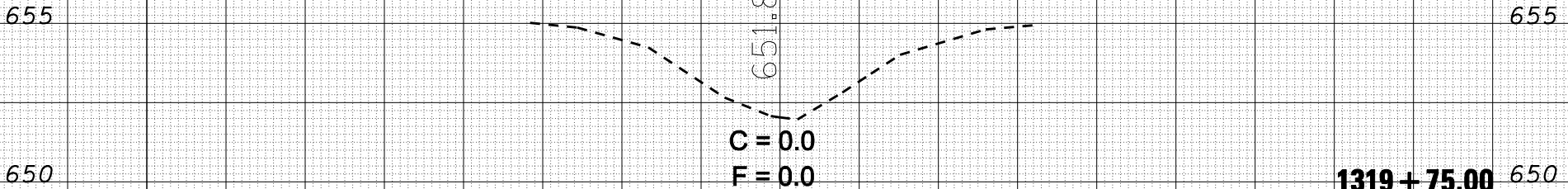
SECTION	COUNTY	TOTAL SHEET NO.
74	CHAMPAIGN & VERMILION	112 131
CONTRACT NO. 70643		

ORIGINAL SURVEY	SURVEYED	BY	DATE
NOTE BOOK	PLOTTED		
	TEMPLATE		
	AREAS		
	AREAS CHECKED		

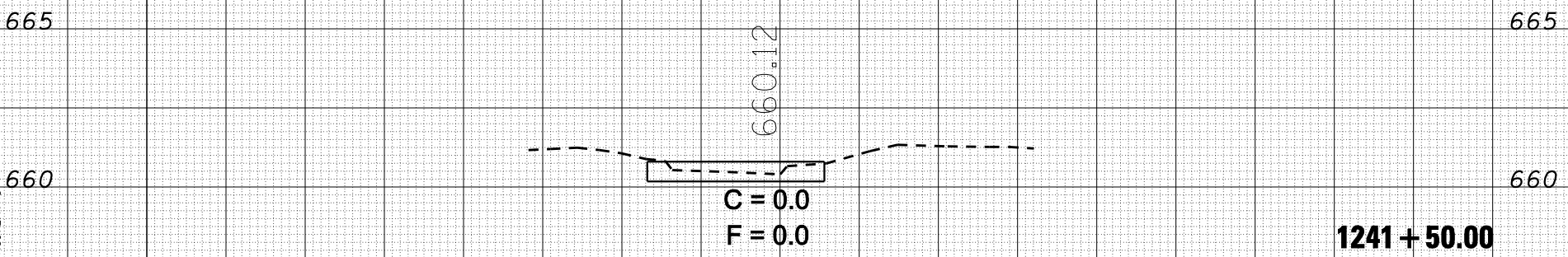
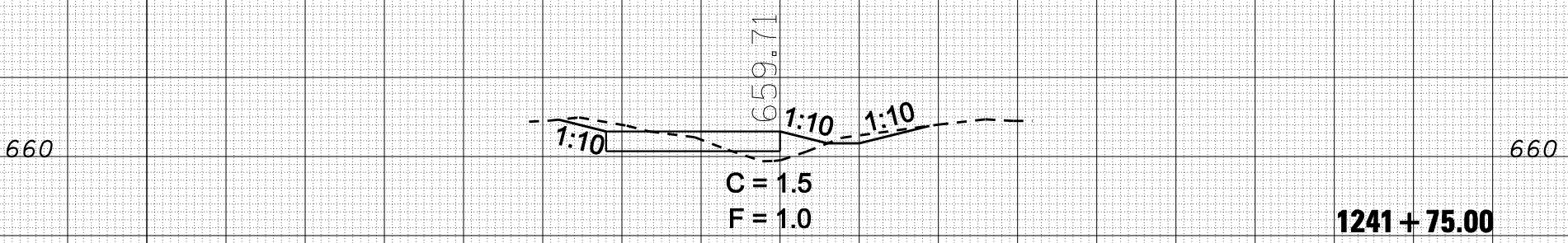
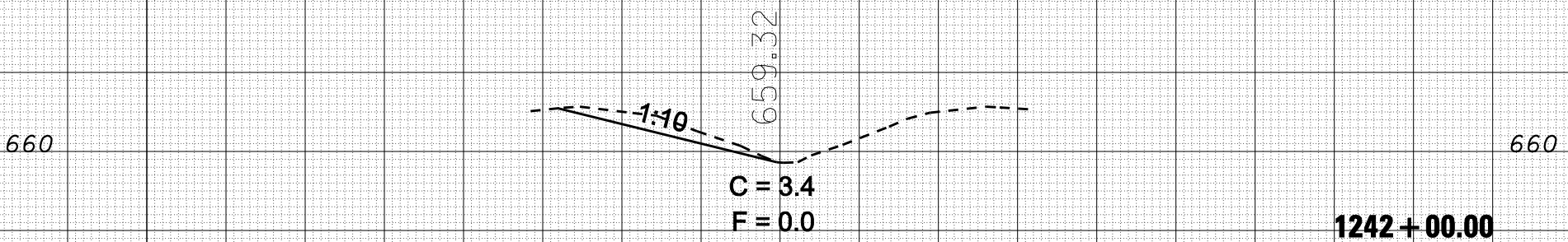
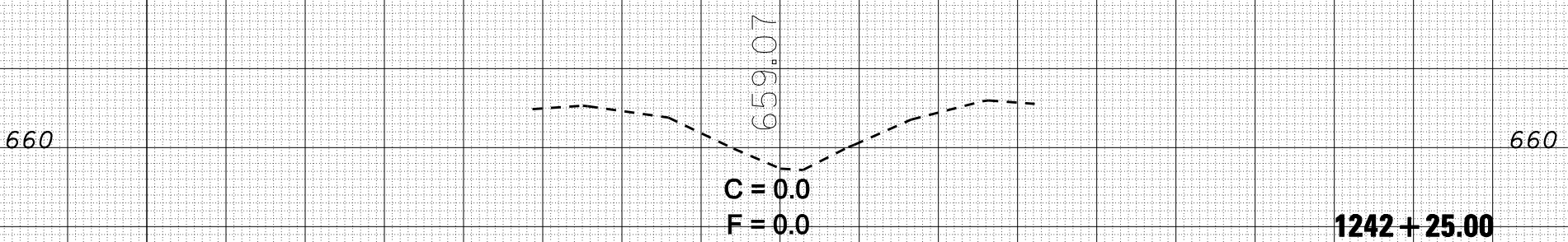
FINAL SURVEY	SURVEYED	BY	DATE
NOTE BOOK	PLOTTED		
	TEMPLATE		
	AREAS		
	AREAS CHECKED		

20 15 10 5 0 5 10 15 20

S.N. 092-0115



S.N. 092-0152



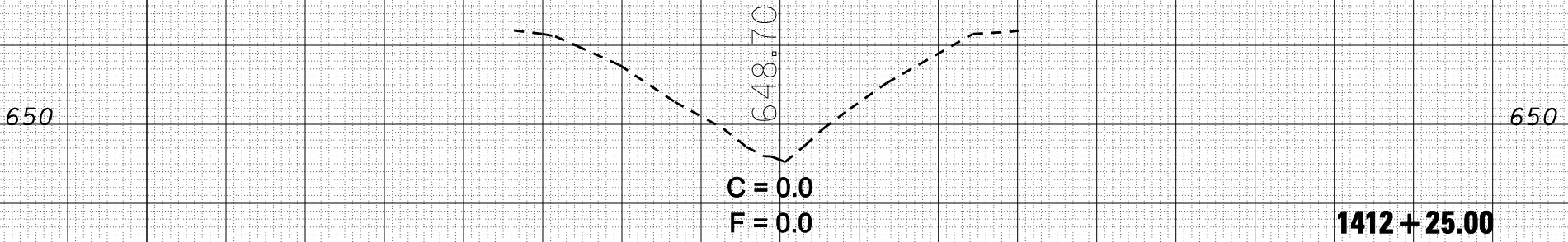
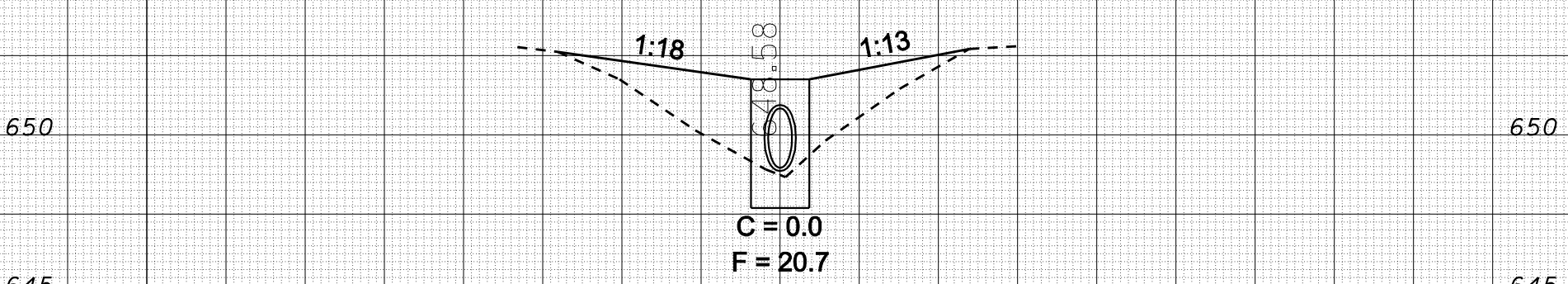
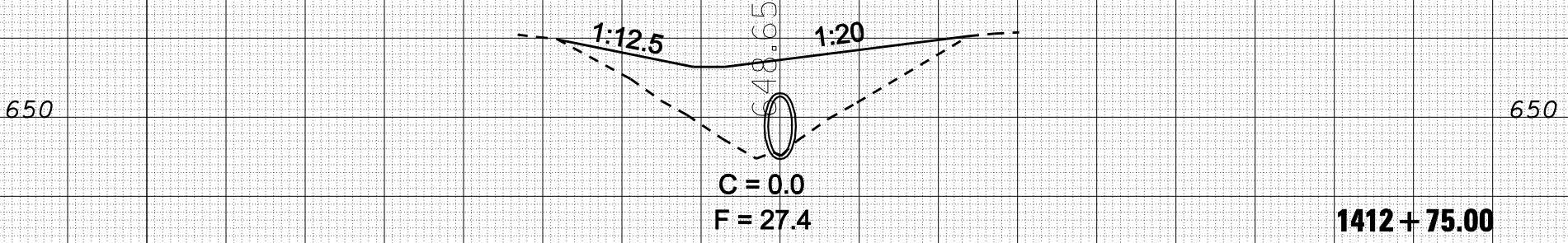
20 15 10 5 0 5 10 15 20

FILE NAME:
 USER NAME:
 PLOT SCALE:
 PLOT DATE:
 DESIGNED:
 DRAWN:
 CHECKED:
 DATE:
 REVISIONS:
 STATE OF ILLINOIS DEPARTMENT OF TRANSPORTATION
 SCALE:
 SHEET NO. OF SHEETS:
 MEDIAN CROSS SECTIONS
 STA. 1241+50.00 TO STA. 1319+75.00
 FEDERAL ROUTE 74
 SECTION COUNTY
 CHAMPAIGN & VERMILION
 CONTRACT NO. 70643

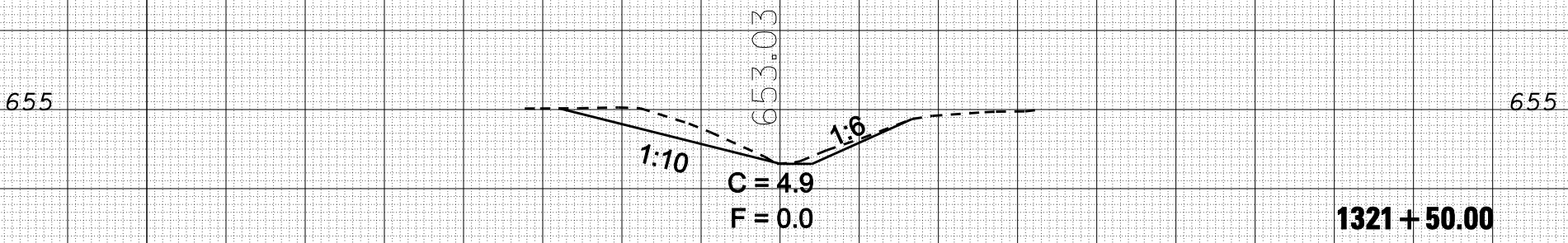
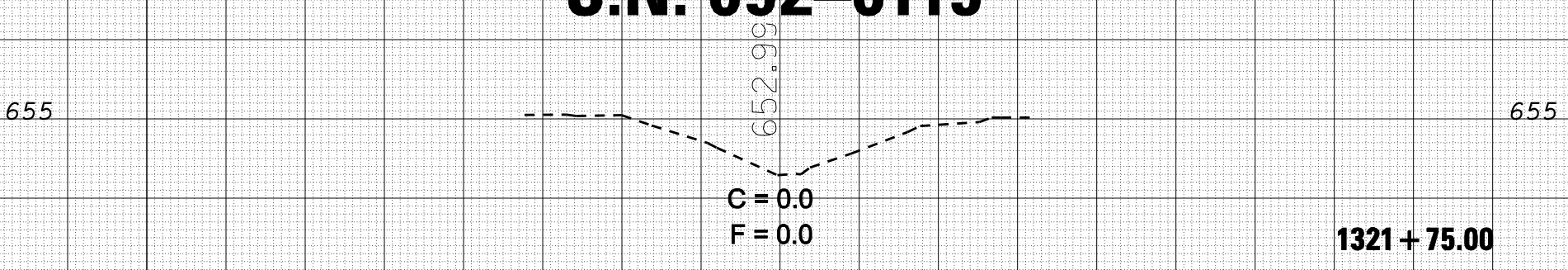
ORIGINAL SURVEY	SURVEYED	BY	DATE
NOTE BOOK	PLOTTED		
	TEMPLATE		
	AREAS		
	AREAS CHECKED		

FINAL SURVEY	SURVEYED	BY	DATE
NOTE BOOK	PLOTTED		
	TEMPLATE		
	AREAS		
	AREAS CHECKED		

S.N. 092-0148



S.N. 092-0115



FILE NAME = c:\p\projects\9501407 (A)\Cross sections\74 2x4x9n

USER NAME = collier-ba

DESIGNED -

DRAWN -

CHECKED -

DATE -

REVISOR -

REVISION -

REVISION -

REVISION -

STATE OF ILLINOIS

DEPARTMENT OF TRANSPORTATION

SCALE:

SHEET NO. OF SHEETS STA. 1321+50.00 TO STA. 1412+75.00

F.A.I. SECTION COUNTY TOTAL SHEET NO.

74 F.Y.O.B.S.H.I.P. ** CHAMPAIGN & VERMILION

FED. ROAD DIST. NO. ILLINOIS FED. AID PROJECT CONTRACT NO. 70643

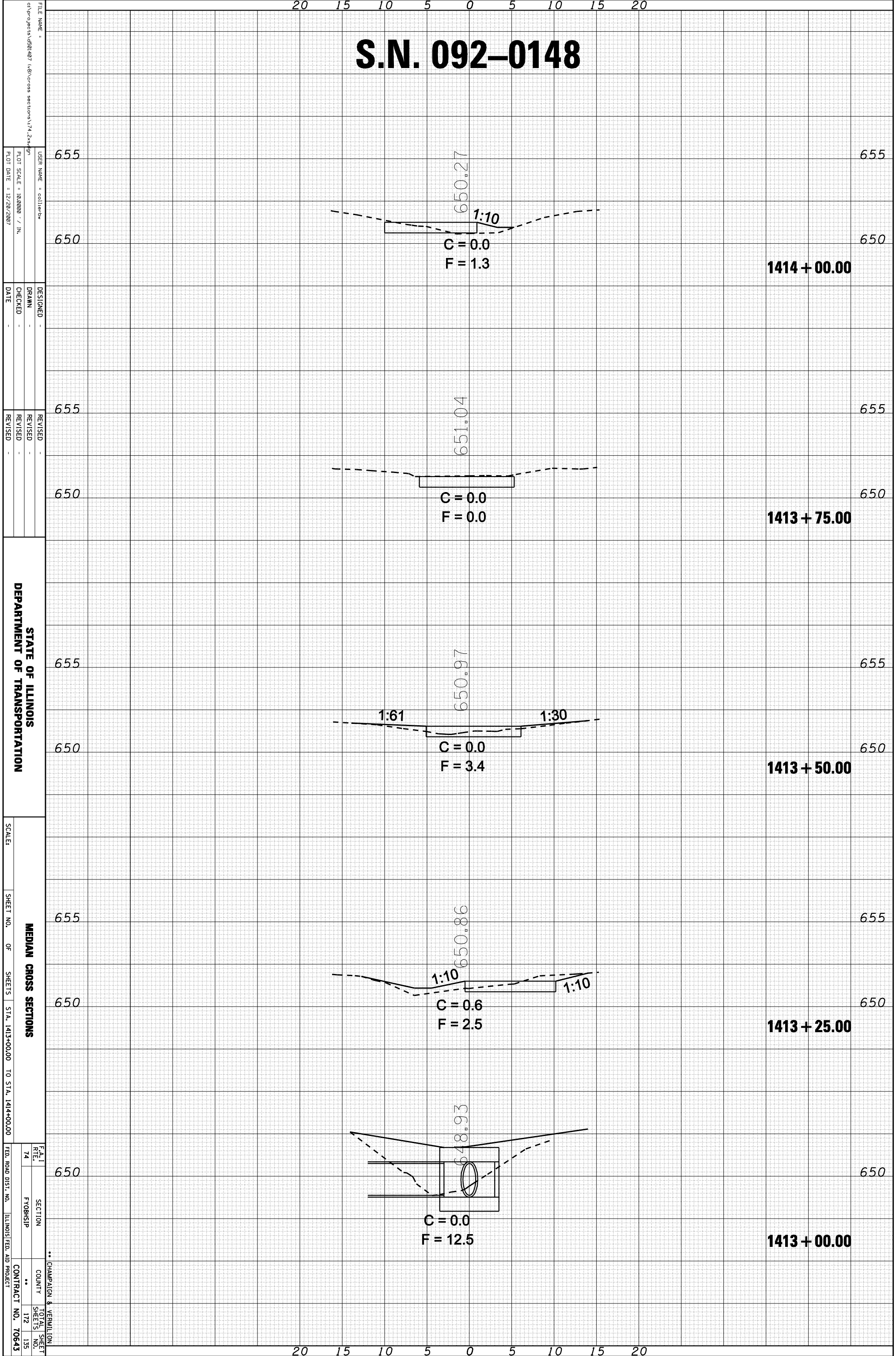
20 15 10 5 0 5 10 15 20

20 15 10 5 0 5 10 15 20

ORIGINAL SURVEY	SURVEYED	BY	DATE
NOTE BOOK	PLOTTED		
	TEMPLATE		
	AREAS		
	AREAS CHECKED		

FINAL SURVEY	SURVEYED	BY	DATE
NOTE BOOK	PLOTTED		
	TEMPLATE		
	AREAS		
	AREAS CHECKED		

S.N. 092-0148



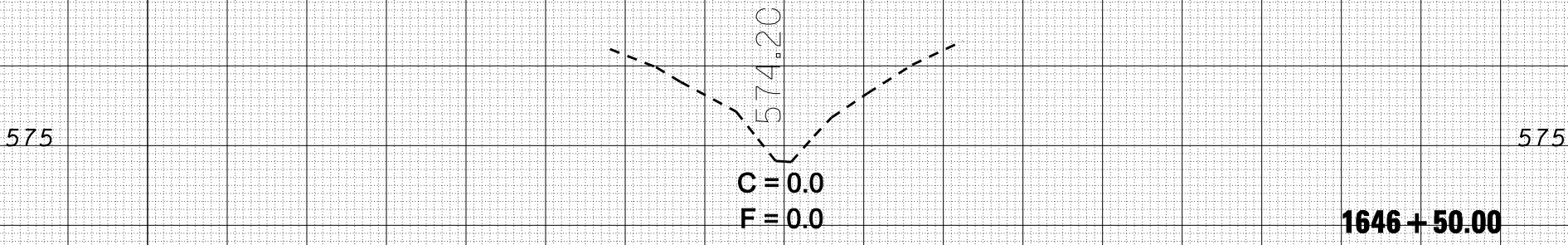
FILE NAME:
 USER NAME: collier-ba
 DESIGNER:
 DRAWN:
 CHECKED:
 DATE:
 REVISED:
 REVISED:
 REVISED:
 REVISED:
 SCALE:
 SHEET NO. OF SHEETS: STA. 1413+00.00 TO STA. 1414+00.00
 DEPARTMENT OF TRANSPORTATION
 MEDIAN CROSS SECTIONS
 SECTION:
 COUNTY:
 TOTAL SHEET NO. 172
 SHEET NO. 135
 CONTRACT NO. 70643
 CHAMPAIGN & VERNILION
 ILLINOIS FED. AID PROJECT

ORIGINAL SURVEY	SURVEYED	BY	DATE
NOTE BOOK	PLOTTED		
	TEMPLATE		
	AREAS		
	AREAS CHECKED		

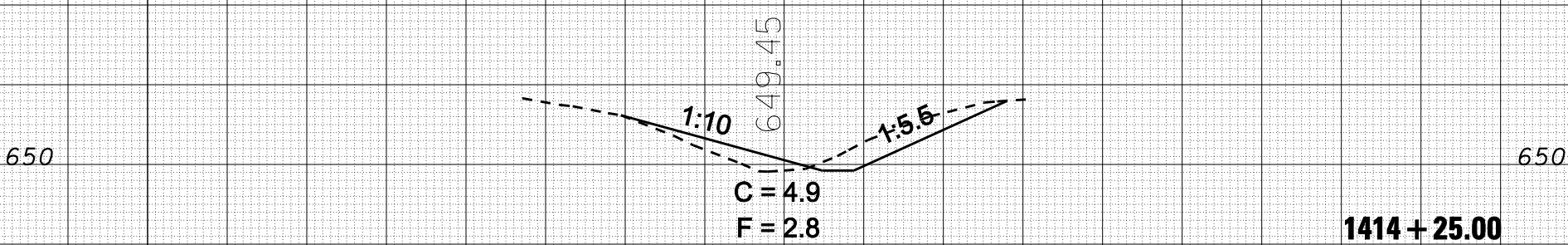
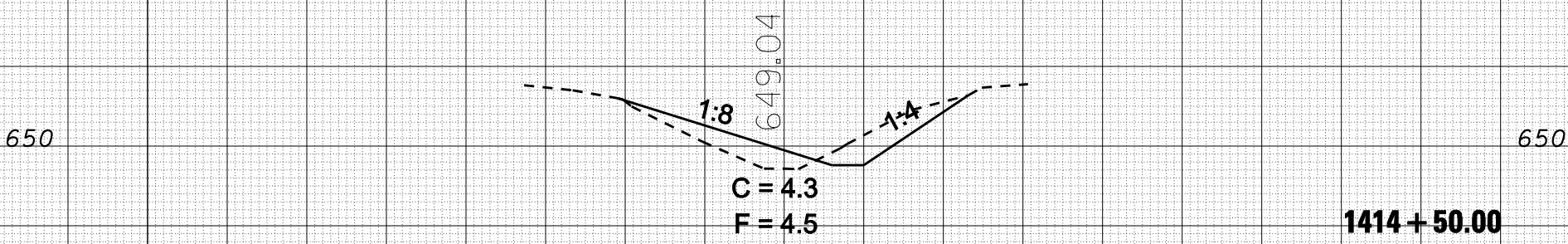
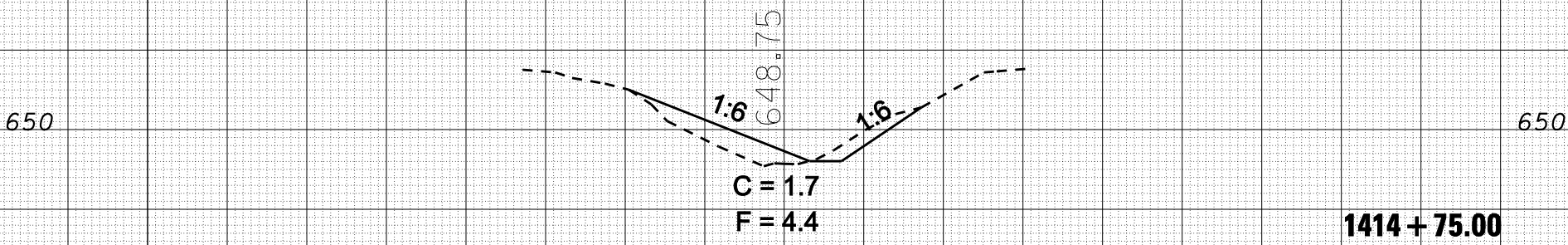
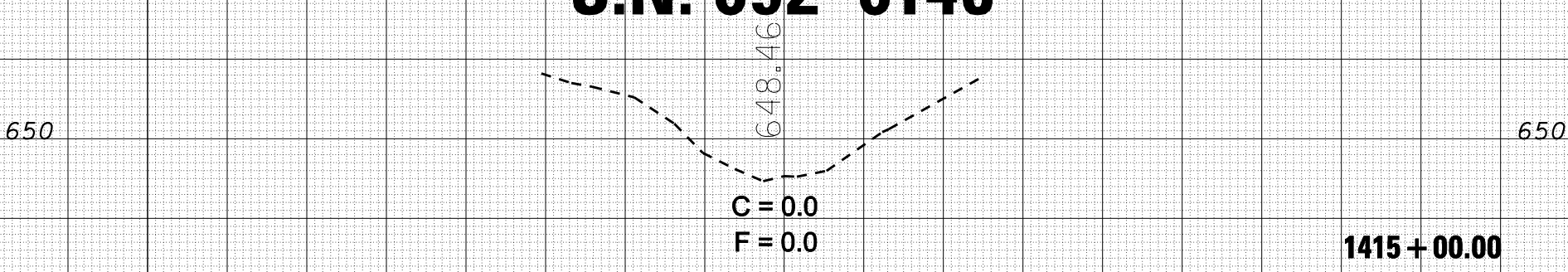
FINAL SURVEY	SURVEYED	BY	DATE
NOTE BOOK	PLOTTED		
	TEMPLATE		
	AREAS		
	AREAS CHECKED		

20 15 10 5 0 5 10 15 20

S.N. 092-0127



S.N. 092-0148



20 15 10 5 0 5 10 15 20

FILE NAME = c:\p\projects\9501407\9501407\cross sections\74_2xss.dgn
 USER NAME = collier-ba
 DESIGNER -
 DRAWN -
 CHECKED -
 DATE -
 REVISED -
 REVISED -
 REVISED -
 REVISED -
 SCALE: 1/4" = 10'-0"

STATE OF ILLINOIS
 DEPARTMENT OF TRANSPORTATION

MEDIAN CROSS SECTIONS

SHEET NO. OF SHEETS STA. 1414+25.00 TO STA. 1414+50.00

FED. ROAD DIST. NO. ILLINOIS FED. AID PROJECT

CHAMPAIGN, ILLINOIS

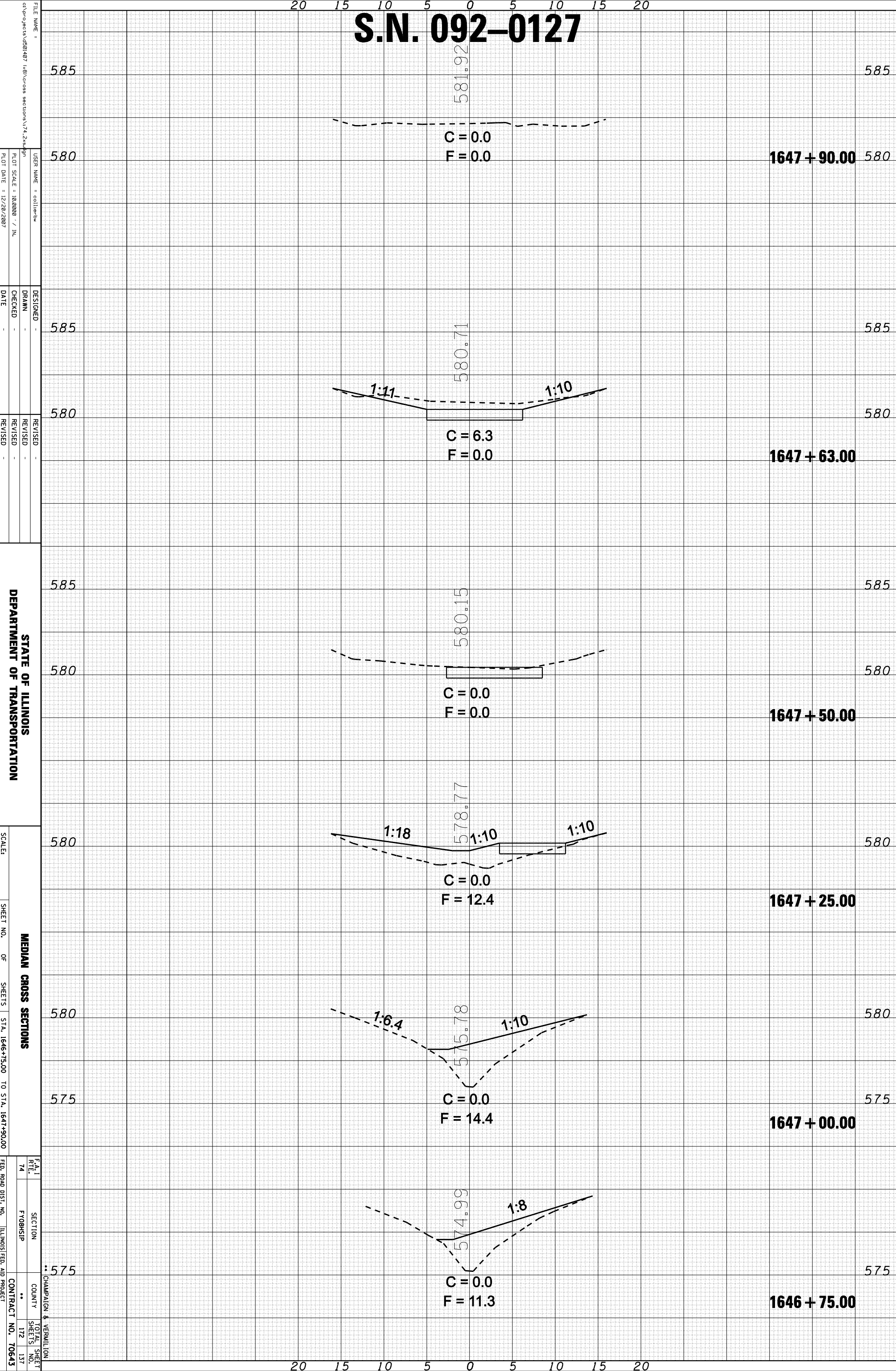
SECTION COUNTY TOTAL SHEET NO. 172 136

CONTRACT NO. 70643

ORIGINAL SURVEY	SURVEYED	BY	DATE
NOTE BOOK	PLOTTED		
	TEMPLATE		
	AREAS		
	AREAS CHECKED		

FINAL SURVEY	SURVEYED	BY	DATE
NOTE BOOK	PLOTTED		
	TEMPLATE		
	AREAS		
	AREAS CHECKED		

S.N. 092-0127



FILE NAME =
 USER NAME = collier-ba
 DRAWN -
 CHECKED -
 DATE -
 REVISIONS -
 REVISIONS -
 REVISIONS -
 REVISIONS -

STATE OF ILLINOIS
DEPARTMENT OF TRANSPORTATION

SCALE:
 SHEET NO. OF SHEETS STA. 1646+75.00 TO STA. 1647+90.00
MEDIAN CROSS SECTIONS
 FEDERAL ROUTE 74
 SECTION COUNTY ILLINOIS
 CHAMPAIGN & VERMILION
 CONTRACT NO. 70643

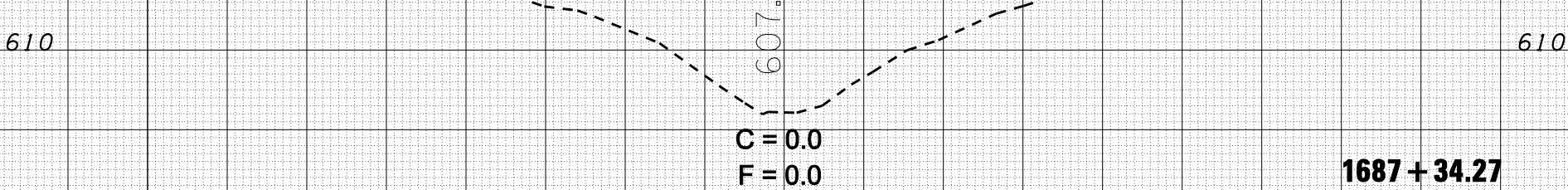
FEA 1	SECTION	TOTAL SHEET NO.
RT 74	COUNTY	172 137
	CONTRACT NO.	70643

ORIGINAL SURVEY	SURVEYED	BY	DATE
NOTE BOOK	PLOTTED		
	TEMPLATE		
	AREAS		
	AREAS CHECKED		

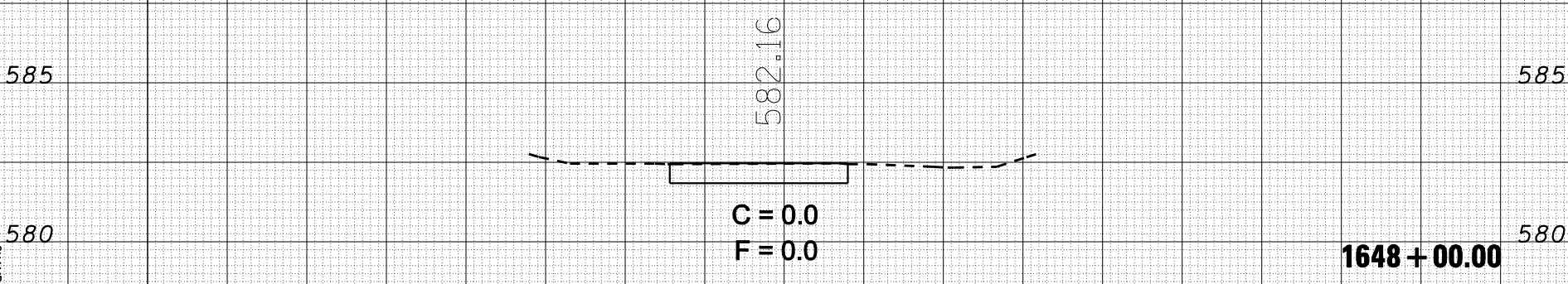
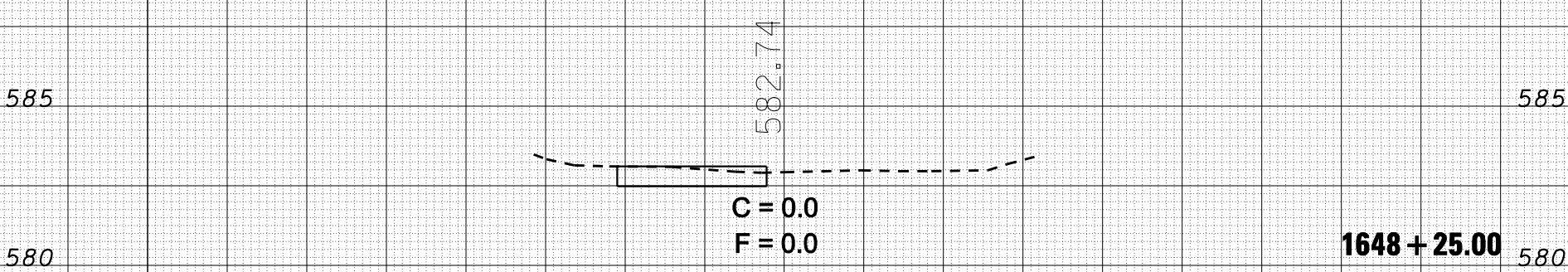
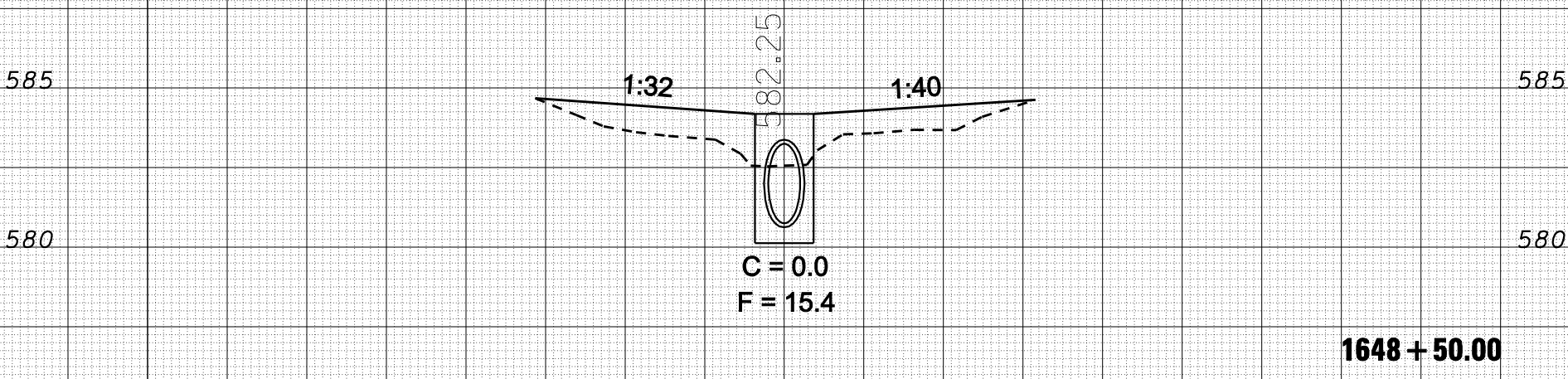
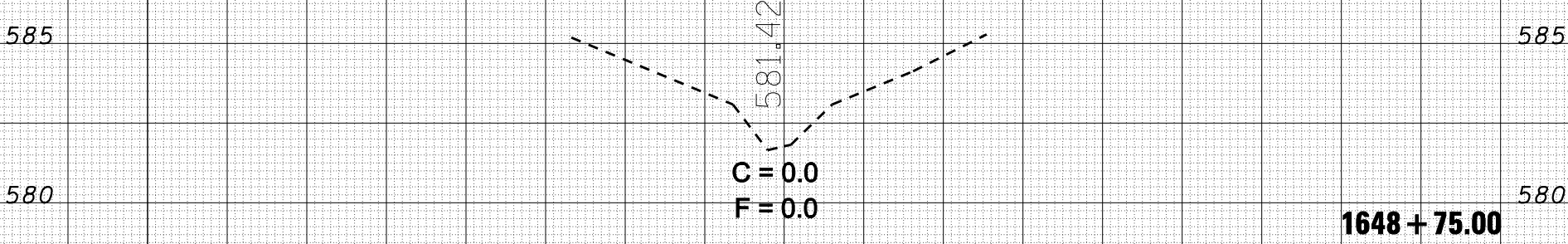
FINAL SURVEY	SURVEYED	BY	DATE
NOTE BOOK	PLOTTED		
	TEMPLATE		
	AREAS		
	AREAS CHECKED		

20 15 10 5 0 5 10 15 20

S.N. 092-0005



S.N. 092-0127



20 15 10 5 0 5 10 15 20

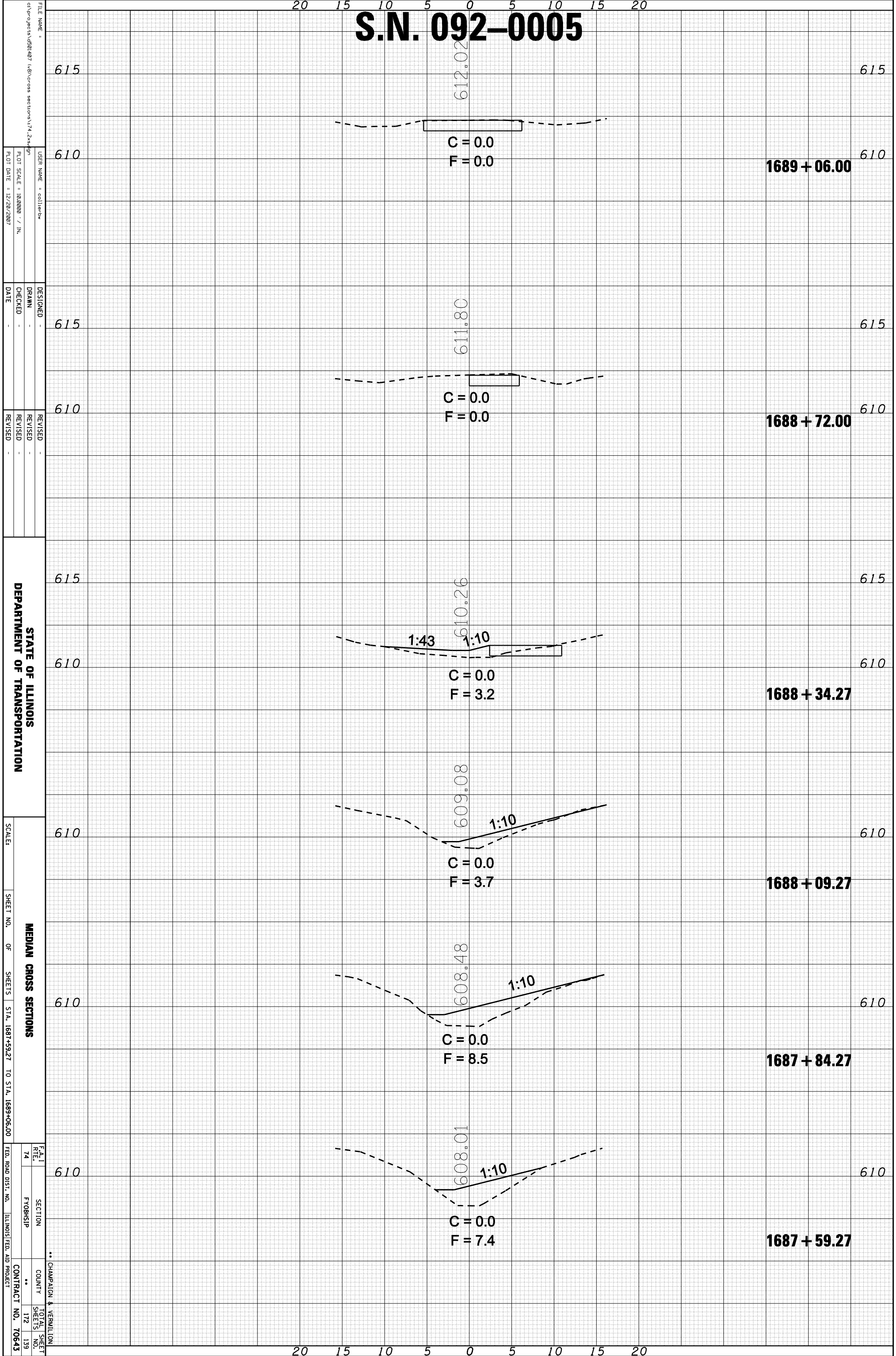
FILE NAME = c:\p\projects\9501407 (A)\cross sections\74 2x4x9n
 USER NAME = collier-ba
 DESIGNER -
 DRAWN -
 CHECKED -
 DATE -
 REVISED -
 REVISED -
 REVISED -
 REVISED -
 SCALE: 1/4" = 1'-0"
 PLOT DATE: 12/20/2007
 STATE OF ILLINOIS
 DEPARTMENT OF TRANSPORTATION
 SHEET NO. OF SHEETS STA. 1648+00.00 TO STA. 1687+34.27
 CHAMPAIGN & VERMILION
 FEDERAL AID PROJECT CONTRACT NO. 70643

SECTION	TOTAL SHEET NO.
74	172
FY08MS1P	138
COUNTY	
**	

ORIGINAL SURVEY	SURVEYED	BY	DATE
NOTE BOOK	PLOTTED		
	TEMPLATE		
	AREAS		
	AREAS CHECKED		

FINAL SURVEY	SURVEYED	BY	DATE
NOTE BOOK	PLOTTED		
	TEMPLATE		
	AREAS		
	AREAS CHECKED		

S.N. 092-0005



FILE NAME =
 USER NAME = collier-ba
 DESIGNED -
 DRAWN -
 CHECKED -
 DATE -
 REVISED -
 REVISED -
 REVISED -
 REVISED -
 PLOT SCALE = 1:62,500 / IN.
 PLOT DATE = 12/28/2007

STATE OF ILLINOIS
DEPARTMENT OF TRANSPORTATION

SCALE:
 SHEET NO. OF SHEETS STA. 1687+59.27 TO STA. 1689+06.00

MEDIAN CROSS SECTIONS

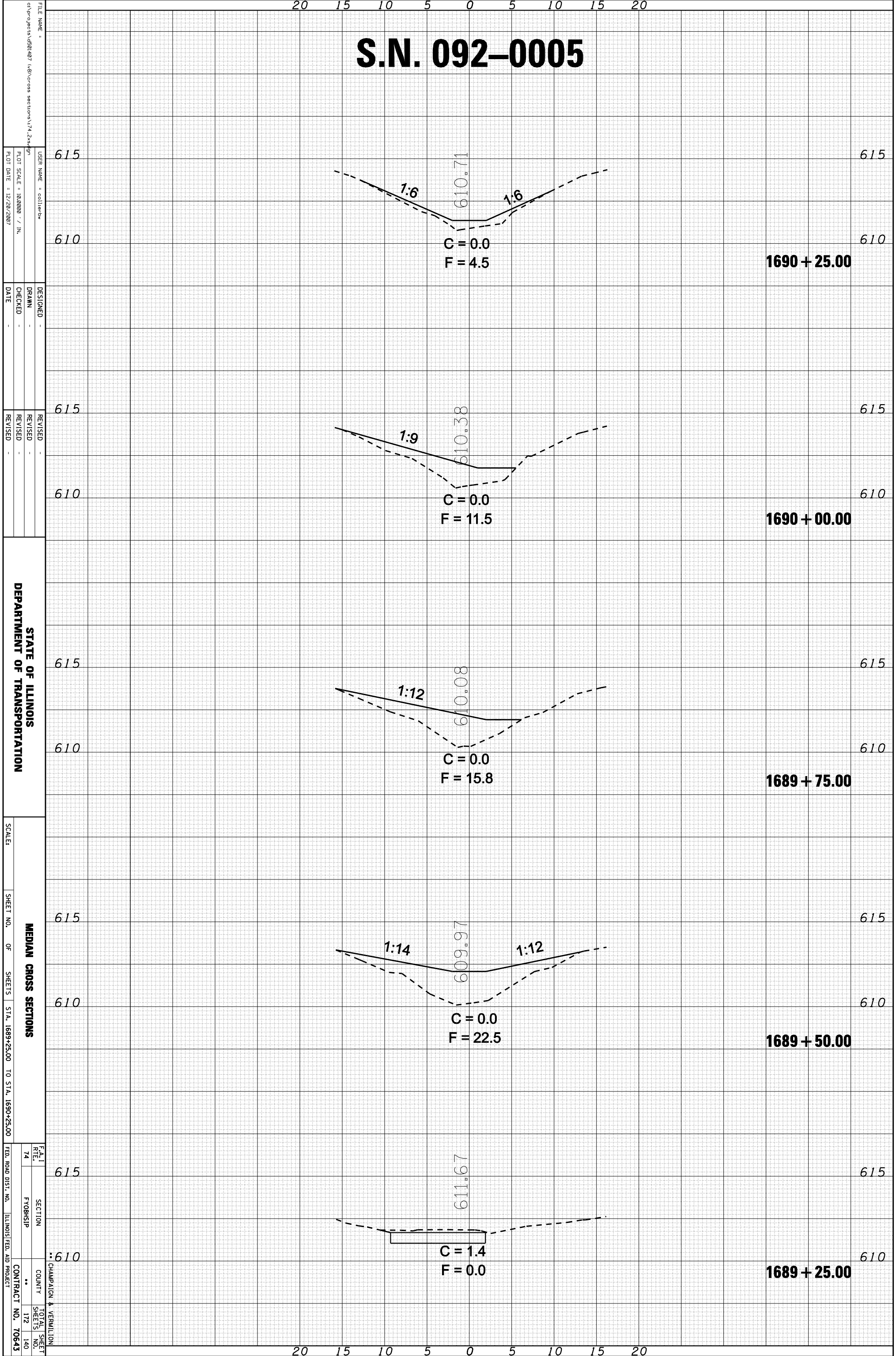
F.A.I. RT. 74	SECTION	COUNTY	TOTAL SHEET NO.
	FY08MSIP	**	172 139
FED. ROAD DIST. NO. ILLINOIS FED. AID PROJECT			CONTRACT NO. 70643

** CHAMPAIGN & VERMILION

ORIGINAL SURVEY	SURVEYED	BY	DATE
NOTE BOOK	PLOTTED		
	TEMPLATE		
	AREAS		
	AREAS CHECKED		

FINAL SURVEY	SURVEYED	BY	DATE
NOTE BOOK	PLOTTED		
	TEMPLATE		
	AREAS		
	AREAS CHECKED		

S.N. 092-0005



FILE NAME =
 USER NAME = collier-ba
 DESIGNED -
 DRAWN -
 CHECKED -
 DATE -

REVISOR
 REVISION
 DATE

STATE OF ILLINOIS
 DEPARTMENT OF TRANSPORTATION

SCALE:
 SHEET NO. OF SHEETS
 STA. 1689+25.00 TO STA. 1690+25.00

SECTION	COUNTY	TOTAL SHEET NO.
74	CHAMPAIGN & VERMILION	172 140
CONTRACT NO. 70643		
FED. ROAD DIST. NO. ILLINOIS FED. AID PROJECT		

ORIGINAL SURVEY	SURVEYED	BY	DATE
NOTE BOOK	PLOTTED		
	TEMPLATE		
	AREAS		
	AREAS CHECKED		

FINAL SURVEY	SURVEYED	BY	DATE
NOTE BOOK	PLOTTED		
	TEMPLATE		
	AREAS		
	AREAS CHECKED		

20 15 10 5 0 5 10 15 20

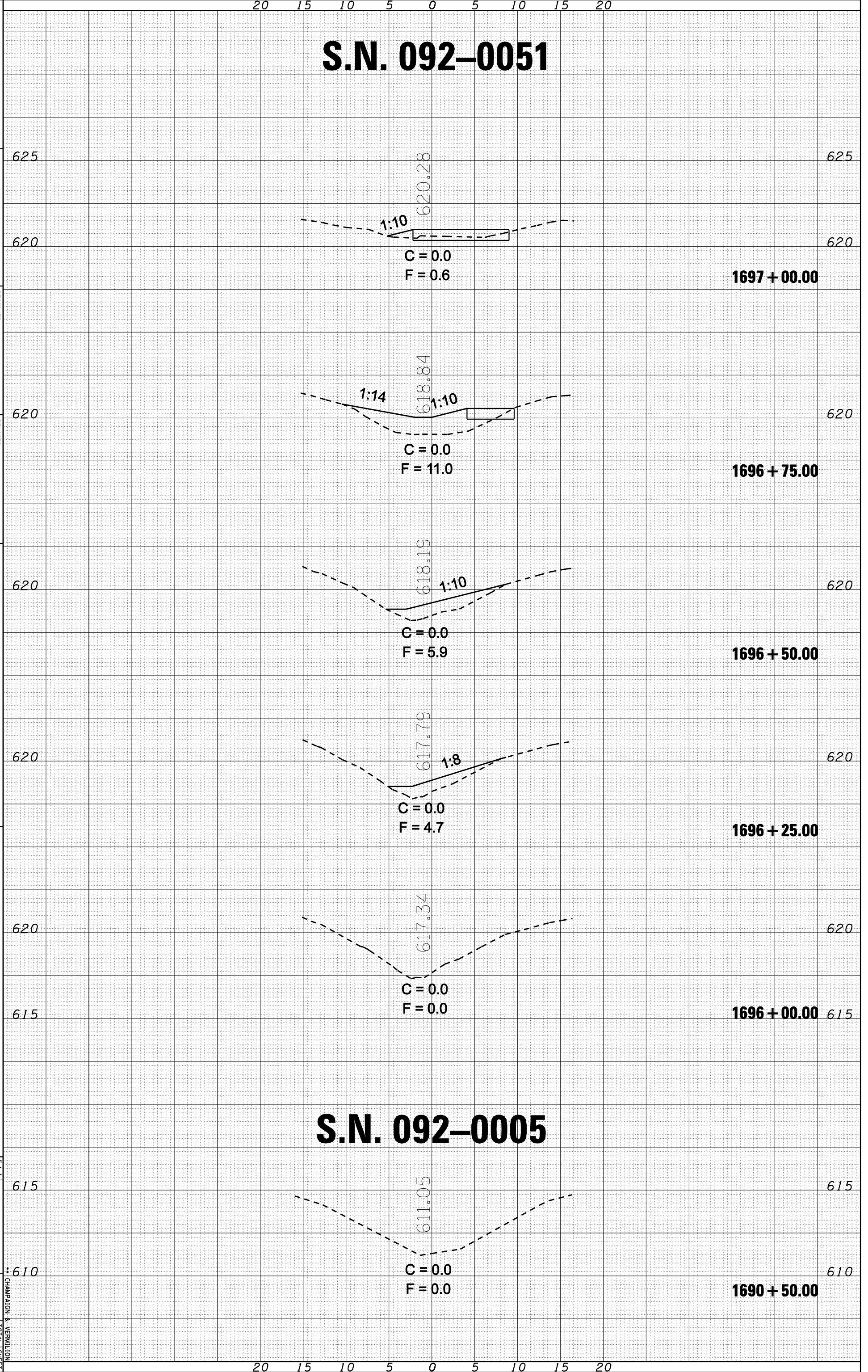
S.N. 092-0051

FILE NAME =
 USER NAME = collier-ba
 DESIGNED -
 DRAWN -
 CHECKED -
 DATE -
 REVISED -
 REVISED -
 REVISED -
 REVISED -
 PLOT SCALE = 1:62,500
 PLOT DATE = 12/28/2007

STATE OF ILLINOIS
 DEPARTMENT OF TRANSPORTATION

SCALE:
 SHEET NO. OF SHEETS
 STA. 1690+50.00 TO STA. 1697+00.00

F.A.I. RT# 74
 SECTION COUNTY
 F.Y.O.B.S.H.I.P.
 CHAMPAIGN & VERMILION
 CONTRACT NO. 70643
 TOTAL SHEETS 172
 SHEET NO. 141



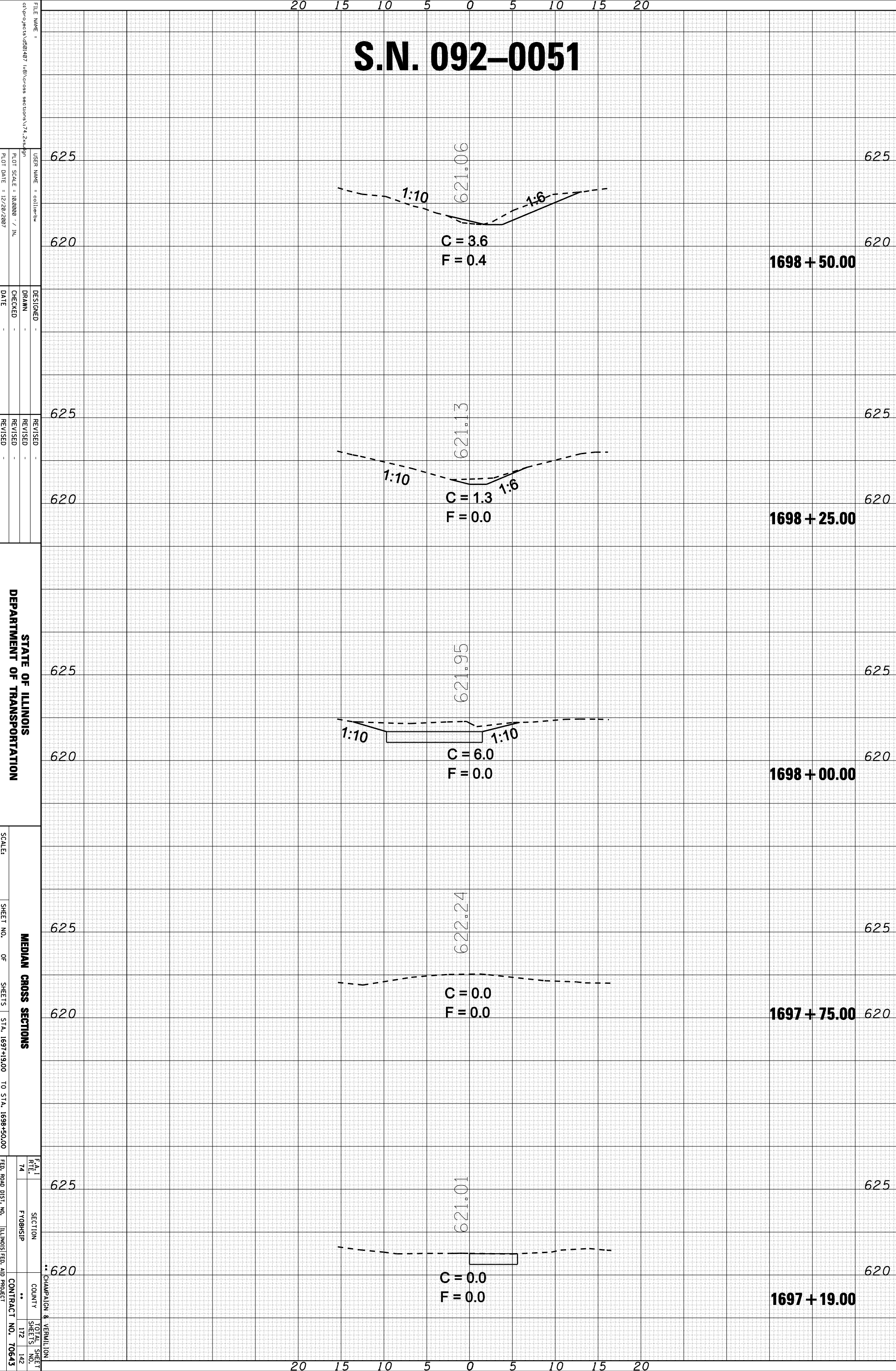
S.N. 092-0005

20 15 10 5 0 5 10 15 20

ORIGINAL SURVEY	SURVEYED	BY	DATE
NOTE BOOK	PLOTTED		
	TEMPLATE		
	AREAS		
	AREAS CHECKED		

FINAL SURVEY	SURVEYED	BY	DATE
NOTE BOOK	PLOTTED		
	TEMPLATE		
	AREAS		
	AREAS CHECKED		

S.N. 092-0051



FILE NAME:
 USER NAME: collier-ba
 DESIGNED:
 DRAWN:
 CHECKED:
 DATE:
 REVISED:
 REVISION:
 REVISION:
 REVISION:

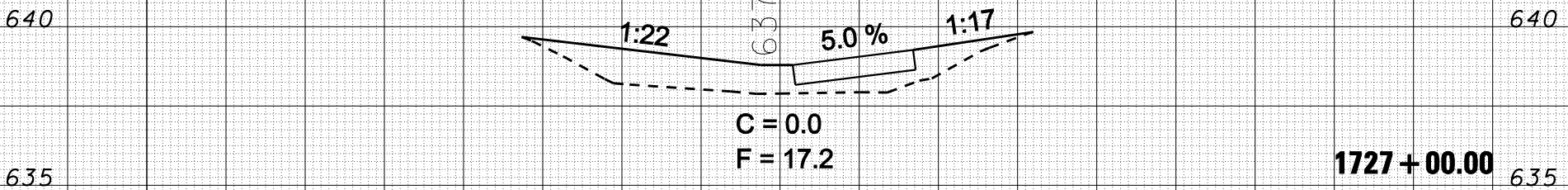
STATE OF ILLINOIS
DEPARTMENT OF TRANSPORTATION

SCALE:
 SHEET NO. OF SHEETS: STA. 1697+19.00 TO STA. 1698+50.00
MEDIAN CROSS SECTIONS
 FEDERAL ROUTE 74
 SECTION COUNTY
 FY08MSIP
 CHAMPAIGN & VERNALDON
 ILLINOIS FED. AID PROJECT
 CONTRACT NO. 70643
 TOTAL SHEET NO. 172 142

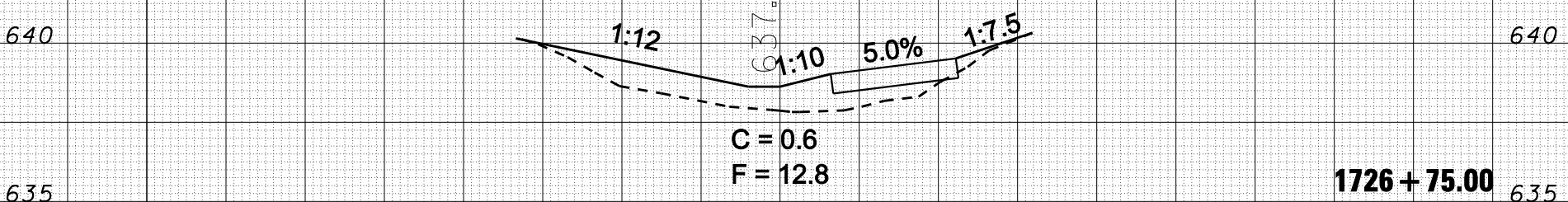
ORIGINAL SURVEY	SURVEYED	BY	DATE
NOTE BOOK	PLOTTED		
	TEMPLATE		
	AREAS		
	AREAS CHECKED		

FINAL SURVEY	SURVEYED	BY	DATE
NOTE BOOK	PLOTTED		
	TEMPLATE		
	AREAS		
	AREAS CHECKED		

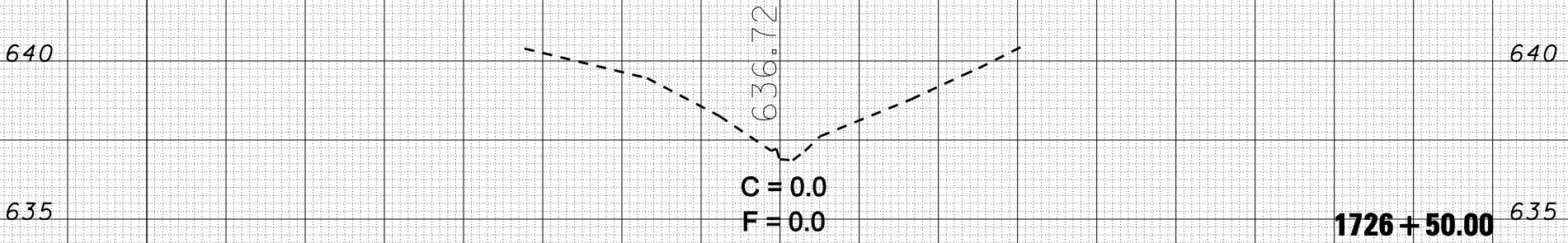
S.N. 092-0099



1727 + 00.00

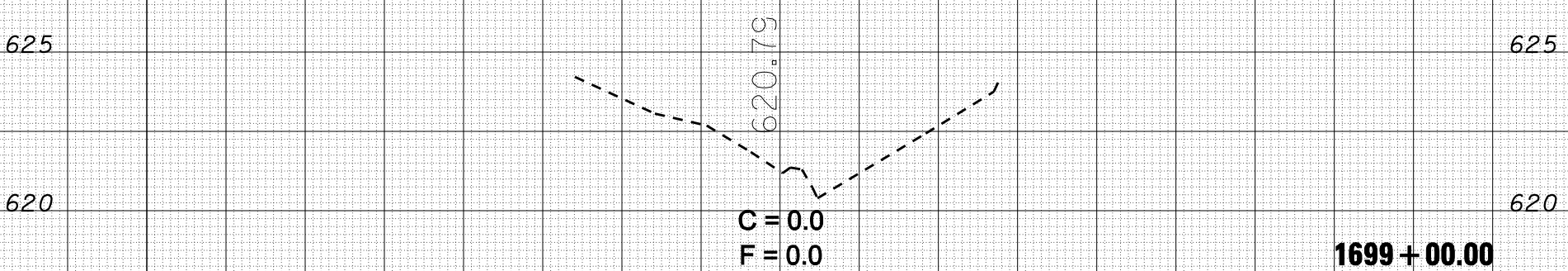


1726 + 75.00

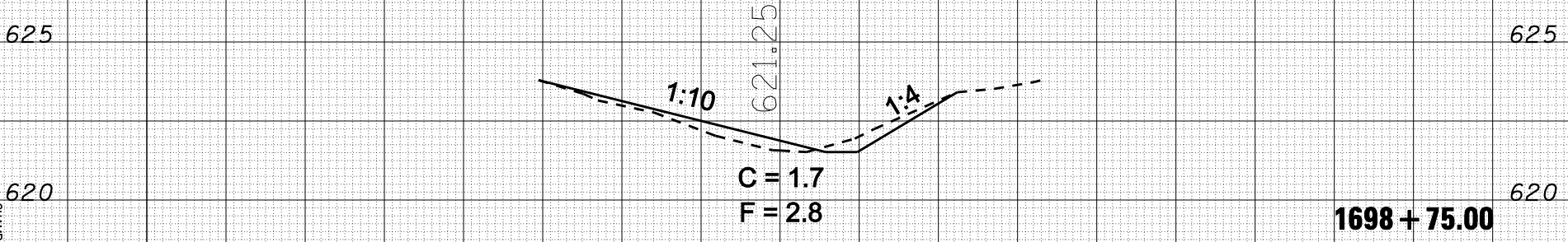


1726 + 50.00

S.N. 092-0051



1699 + 00.00



1698 + 75.00

FILE NAME:
 USER NAME: collier-ba
 DESIGNER:
 DRAWN:
 CHECKED:
 DATE:
 REVISIONS:
 REVISION:
 DATE:
 DEPARTMENT OF TRANSPORTATION
 SCALE:
 SHEET NO. OF SHEETS: STA. 1698+75.00 TO STA. 1727+00.00
 CHAMPAIGN & VERMILION
 COUNTY:
 SECTION:
 COUNTY:
 TOTAL SHEET NO. 172 143
 CONTRACT NO. 70643
 FEDERAL AID PROJECT

ORIGINAL SURVEY	SURVEYED	BY	DATE
NOTE BOOK	PLOTTED		
	TEMPLATE		
	AREAS		
	AREAS CHECKED		

FINAL SURVEY	SURVEYED	BY	DATE
NOTE BOOK	PLOTTED		
	TEMPLATE		
	AREAS		
	AREAS CHECKED		

20 15 10 5 0 5 10 15 20

S.N. 092-0126

630

630

625

625

1741 + 50.00

626.92

C = 0.0
F = 0.0

S.N. 092-0099

640

640

635

635

1728 + 00.00

637.04

C = 0.0
F = 0.0

640

640

635

635

1727 + 75.00

637.39

C = 0.0
F = 6.6

1:10

1:25

640

640

635

635

1727 + 45.00

637.52

C = 0.0
F = 11.2

1:17

1:18

640

640

C = 0.0
F = 11.9

637.77

1:11

1:31

5.0%

1727 + 14.00

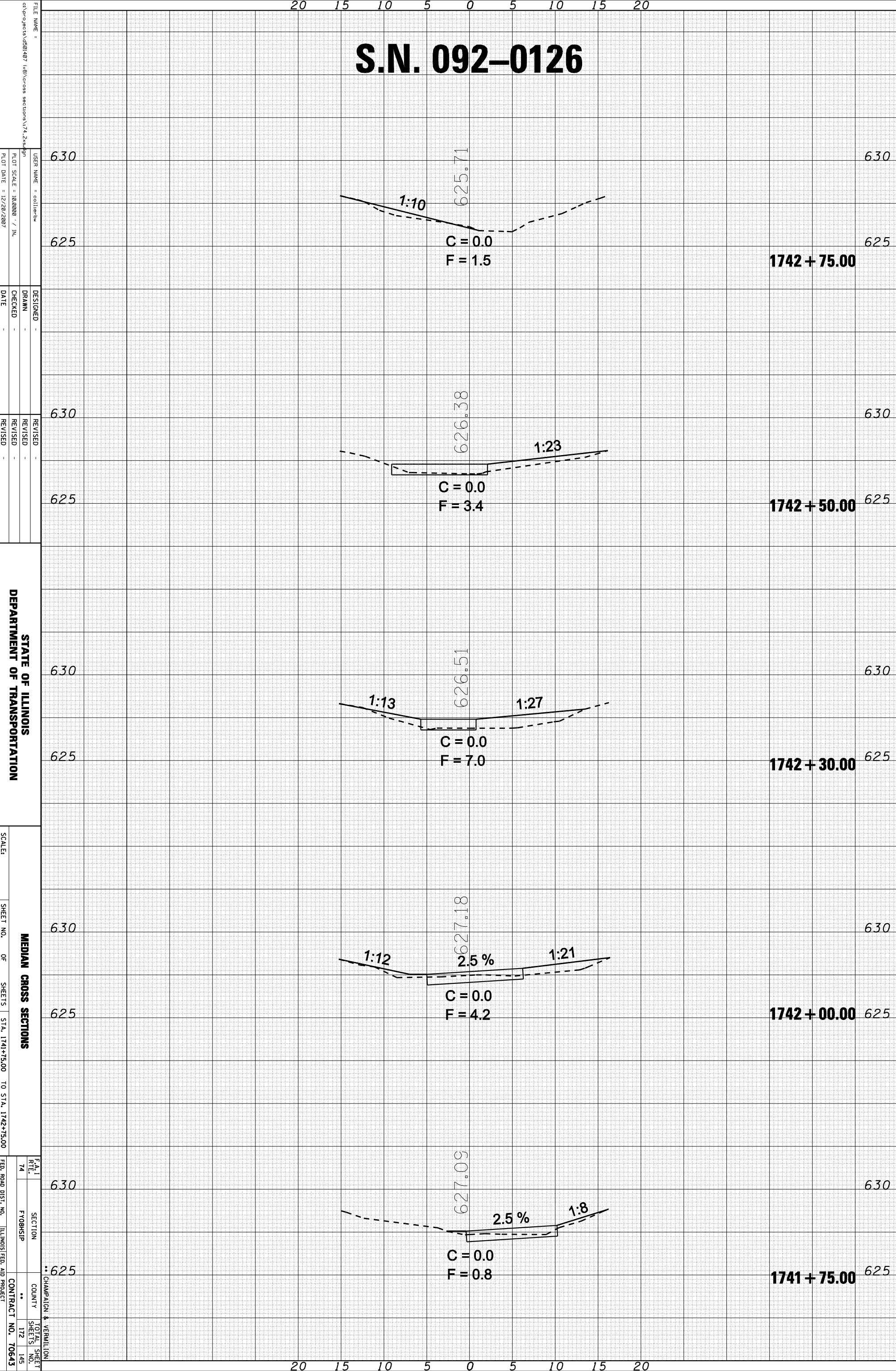
FILE NAME = c:\p\projects\9501407\9501407\cross sections\74_2x4x9n
 USER NAME = collier-ba
 DESIGNER -
 DRAWN -
 CHECKED -
 DATE -
 REVISED -
 REVISED -
 REVISED -
 REVISED -
 SCALE: 1/4" = 10.0000' / IN.
 PLOT DATE = 12/20/2007
 DEPARTMENT OF TRANSPORTATION
 SCALE: 1/4" = 10.0000' / IN.
 SHEET NO. OF SHEETS 74
 MEDIAN CROSS SECTIONS
 STA. 1727+14.00 TO STA. 1741+50.00
 FEDERAL AID PROJECT NO. ILLINOIS FED. AID PROJECT
 COUNTY **
 SECTION **
 CHAMPAIGN & VERMILION
 TOTAL SHEET NO. 172
 CONTRACT NO. 70643

20 15 10 5 0 5 10 15 20

ORIGINAL SURVEY	SURVEYED	BY	DATE
NOTE BOOK	PLOTTED		
	TEMPLATE		
	AREAS		
	AREAS CHECKED		

FINAL SURVEY	SURVEYED	BY	DATE
NOTE BOOK	PLOTTED		
	TEMPLATE		
	AREAS		
	AREAS CHECKED		

S.N. 092-0126



FILE NAME =
 USER NAME = collier-ba
 DRAWN -
 CHECKED -
 DATE -

DESIGNED -
 REVISIONS -
 REVISIONS -
 REVISIONS -

STATE OF ILLINOIS
 DEPARTMENT OF TRANSPORTATION

SCALE:
 SHEET NO. OF SHEETS
 STA. 1741+75.00 TO STA. 1742+75.00

FAI
 RTE
 74

SECTION
 COUNTY
 CONTRACT NO. 70643

CHAMPAIGN & VERMILION
 TOTAL SHEET NO. 145

ORIGINAL SURVEY	SURVEYED	BY	DATE
NOTE BOOK	PLOTTED		
	TEMPLATE		
	AREAS		
	AREAS CHECKED		

FINAL SURVEY	SURVEYED	BY	DATE
NOTE BOOK	PLOTTED		
	TEMPLATE		
	AREAS		
	AREAS CHECKED		

20 15 10 5 0 5 10 15 20

S.N. 092-0128

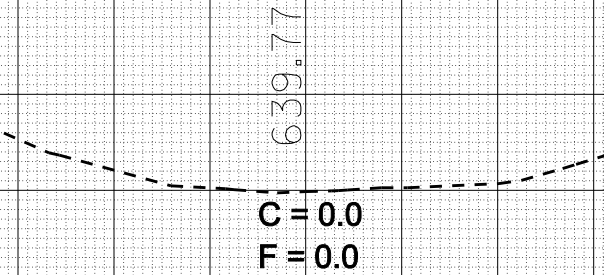
FILE NAME =
 USER NAME = collier-ba
 DESIGNED -
 DRAWN -
 CHECKED -
 DATE -

DESIGNED -
 DRAWN -
 CHECKED -
 DATE -

REVISI
 REVISI
 REVISI

STATE OF ILLINOIS
 DEPARTMENT OF TRANSPORTATION
 SCALE:
 SHEET NO. OF SHEETS
 STA. 1743+00.00 TO STA. 1826+75.00
 MEDIAN CROSS SECTIONS
 FEDERAL AID PROJECT ILLINOIS FED. AID PROJECT

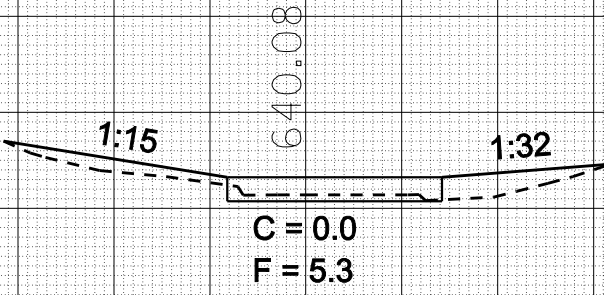
640



640

1826 + 75.00

645

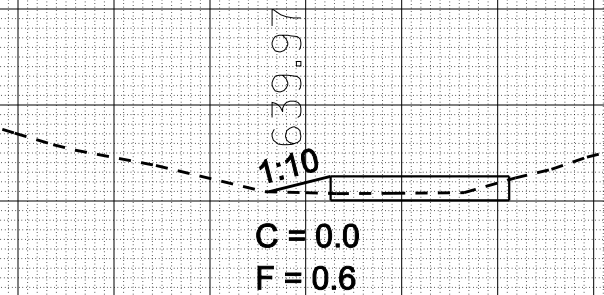


645

640

1826 + 50.00

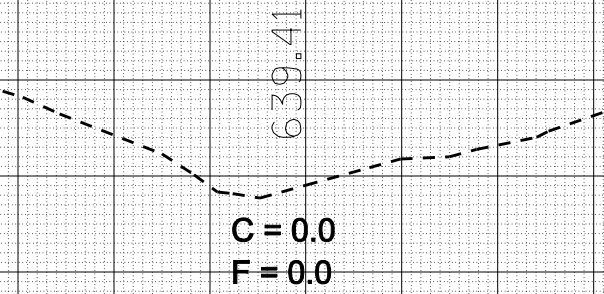
640



640

1826 + 25.00

640

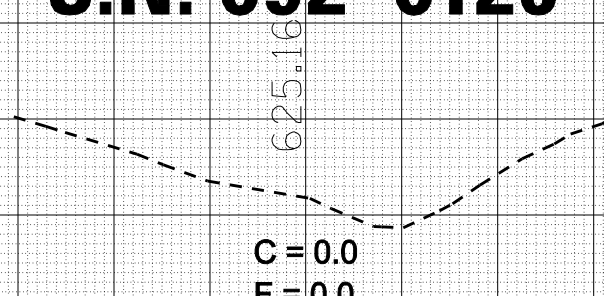


640

1826 + 00.00

S.N. 092-0126

630



630

625

625

1743 + 00.00

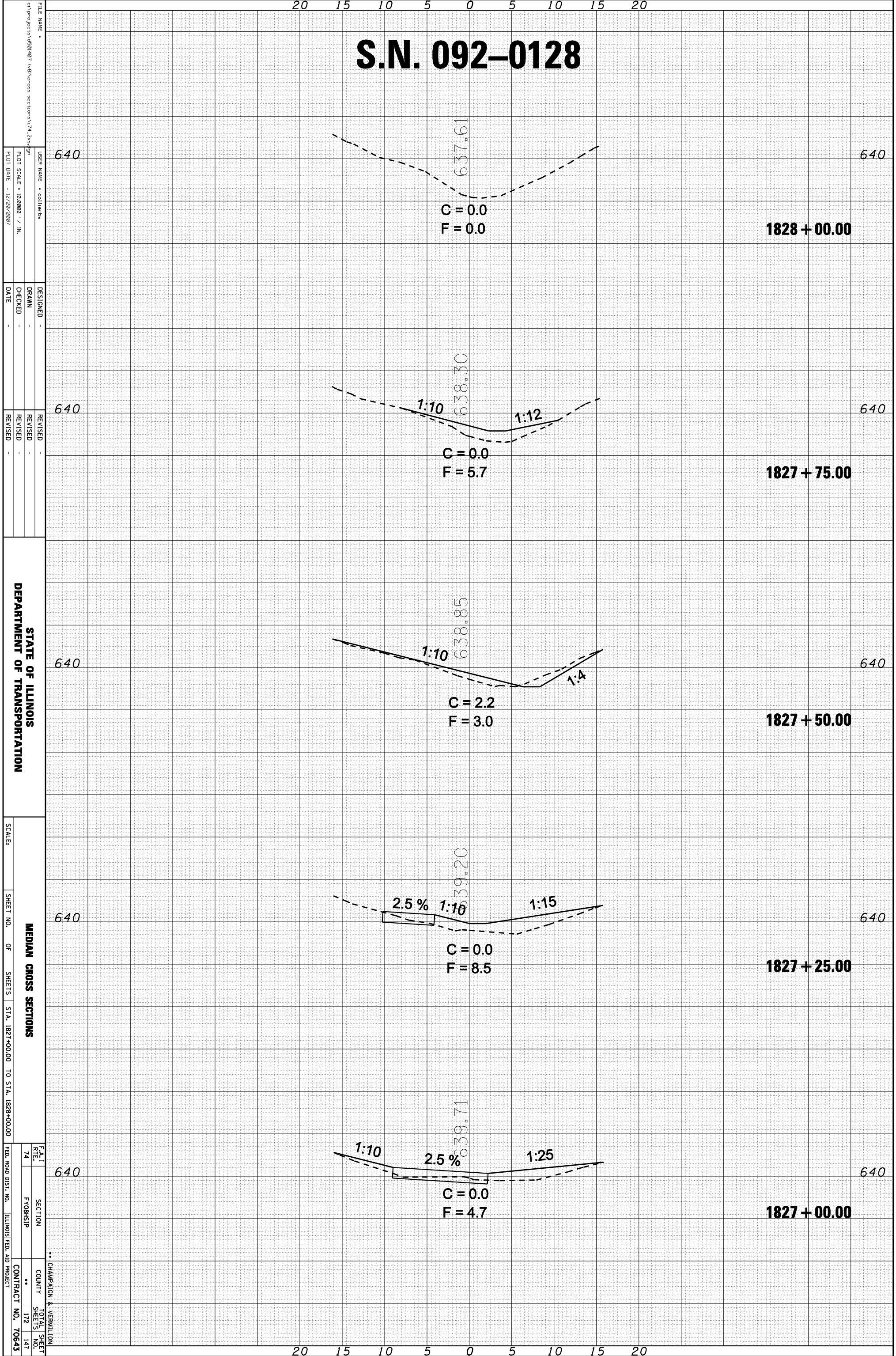
FED. ROAD DIST. NO. ILLINOIS FED. AID PROJECT
 CONTRACT NO. 70643

20 15 10 5 0 5 10 15 20

ORIGINAL SURVEY	SURVEYED	BY	DATE
NOTE BOOK	PLOTTED		
	TEMPLATE		
	AREAS		
	AREAS CHECKED		

FINAL SURVEY	SURVEYED	BY	DATE
NOTE BOOK	PLOTTED		
	TEMPLATE		
	AREAS		
	AREAS CHECKED		

S.N. 092-0128



FILE NAME =
 USER NAME = collier-ba
 DESIGNED -
 DRAWN -
 CHECKED -
 DATE -

DESIGNED -
 DRAWN -
 CHECKED -
 DATE -

REVISOR
 REVISION
 DATE

STATE OF ILLINOIS
 DEPARTMENT OF TRANSPORTATION

SCALE: 1" = 20'-0"

SHEET NO. OF SHEETS STA. 1827+00.00 TO STA. 1828+00.00

MEDIAN CROSS SECTIONS

F.A.I. SECTION COUNTY TOTAL SHEET NO. 74 F.Y.O.B.S.I.P. ** 112 147

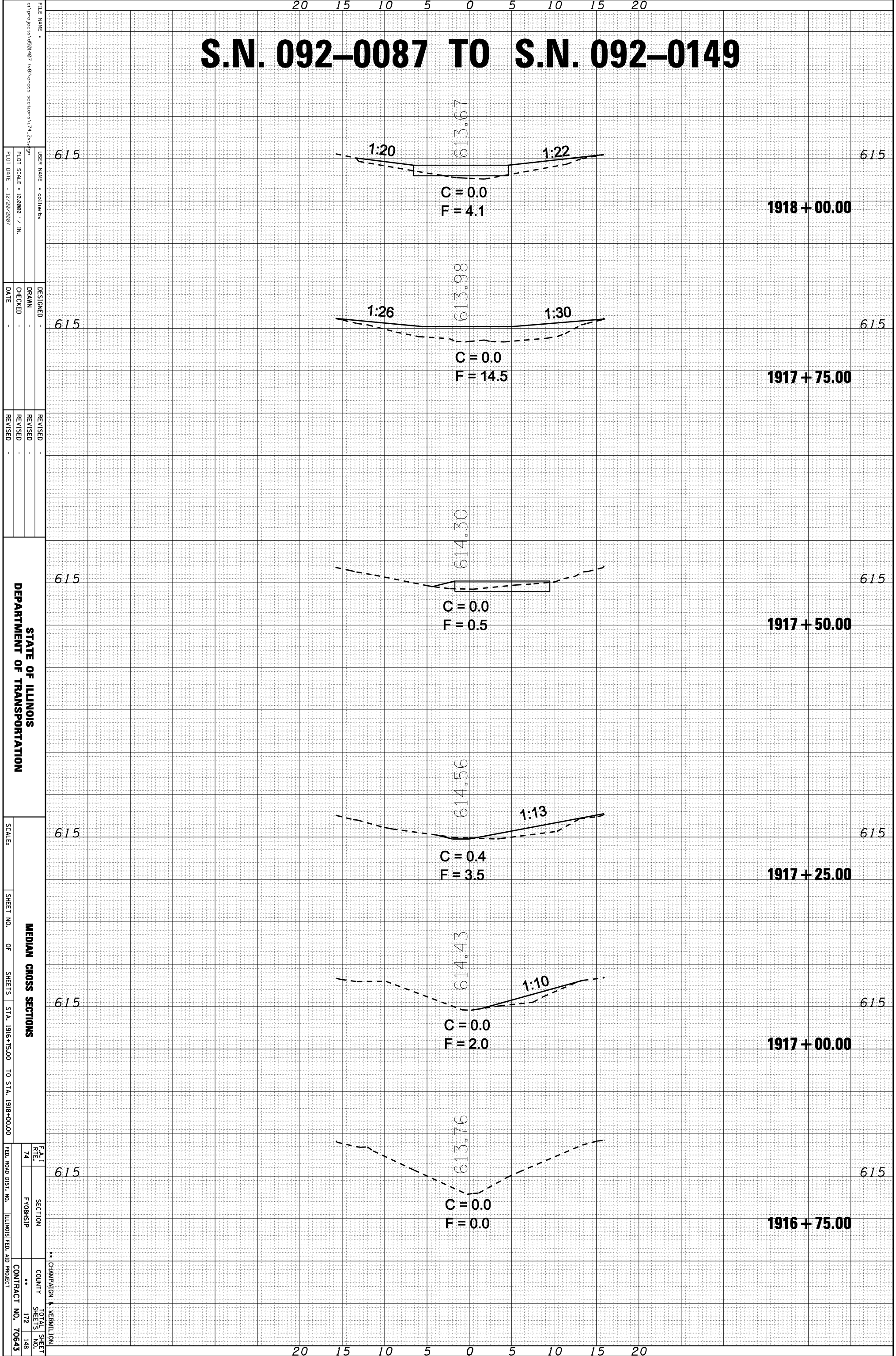
FED. ROAD DIST. NO. ILLINOIS FED. AID PROJECT CONTRACT NO. 70643

CHAMPAIGN & VERMILION

ORIGINAL SURVEY	SURVEYED	BY	DATE
NOTE BOOK	PLOTTED		
	TEMPLATE		
	AREAS		
	AREAS CHECKED		

FINAL SURVEY	SURVEYED	BY	DATE
NOTE BOOK	PLOTTED		
	TEMPLATE		
	AREAS		
	AREAS CHECKED		

S.N. 092-0087 TO S.N. 092-0149



FILE NAME =
 USER NAME = collier-ba
 DESIGNED -
 DRAWN -
 CHECKED -
 DATE -

DESIGNED -
 DRAWN -
 CHECKED -
 DATE -

REVISOR
 REVISION
 DATE

STATE OF ILLINOIS
 DEPARTMENT OF TRANSPORTATION

SCALE: 1" = 20'-0"

SHEET NO. OF SHEETS STA. 1916+75.00 TO STA. 1918+00.00

MEDIAN CROSS SECTIONS

SECTION COUNTY TOTAL SHEET NO. 172 148

FY08MSIP

CONTRACT NO. 70643

CHAMPAIGN & VERMILION

615

615

615

615

615

615

615

615

615

615

615

615

615

615

615

615

615

615

615

615

615

615

615

615

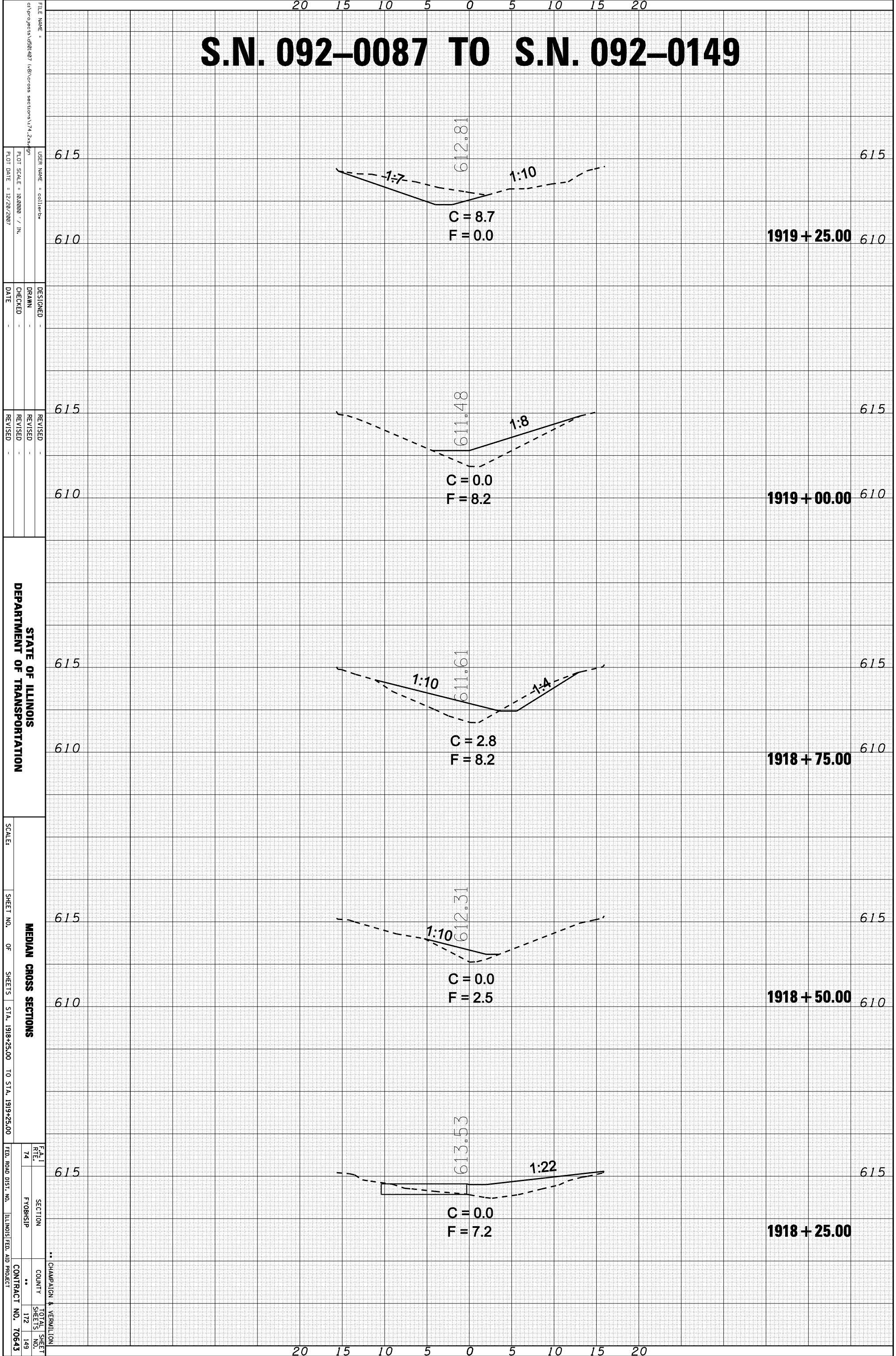
615

615

ORIGINAL SURVEY	SURVEYED	BY	DATE
NOTE BOOK	PLOTTED		
	TEMPLATE		
	AREAS		
	AREAS CHECKED		

FINAL SURVEY	SURVEYED	BY	DATE
NOTE BOOK	PLOTTED		
	TEMPLATE		
	AREAS		
	AREAS CHECKED		

S.N. 092-0087 TO S.N. 092-0149



FILE NAME =
 USER NAME = collier-ba
 DESIGNER -
 DRAWN -
 CHECKED -
 DATE -

DESIGNED -
 DRAWN -
 CHECKED -
 DATE -

REVISIONS
 REVISION NO. DATE
 REVISION -
 REVISION -

STATE OF ILLINOIS
 DEPARTMENT OF TRANSPORTATION

SCALE: 1" = 20'
 SHEET NO. OF SHEETS: 74 OF 112
 STA. 1918+25.00 TO STA. 1919+25.00

MEDIAN CROSS SECTIONS

F.A.I. SECTION COUNTY TOTAL SHEET NO. 74 FY08MSIP ** 112 149

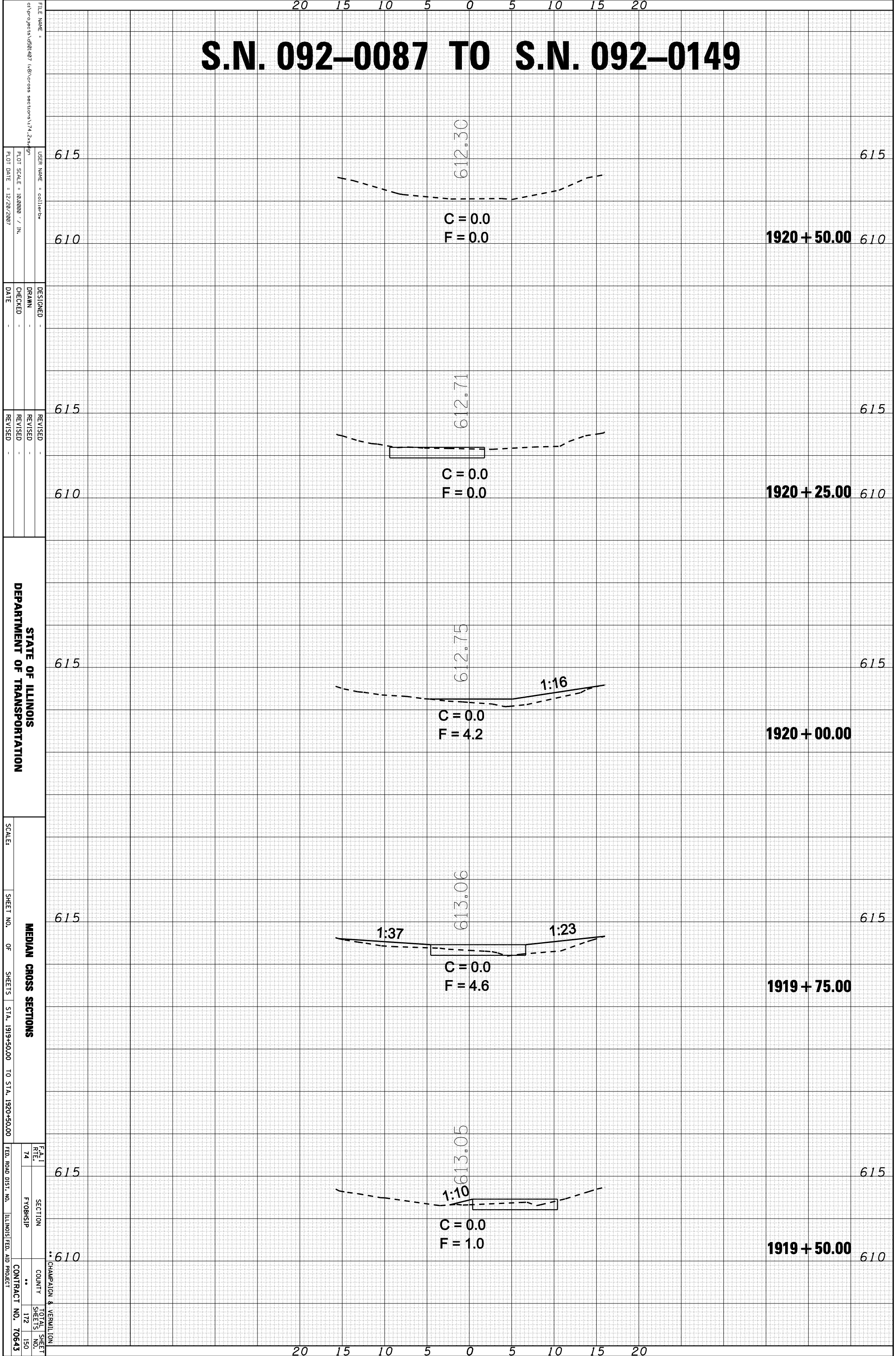
FED. ROAD DIST. NO. ILLINOIS FED. AID PROJECT CONTRACT NO. 70643

** CHAMPAIGN & VERMILION

ORIGINAL SURVEY	SURVEYED	BY	DATE
NOTE BOOK	PLOTTED		
	TEMPLATE		
	AREAS		
	AREAS CHECKED		

FINAL SURVEY	SURVEYED	BY	DATE
NOTE BOOK	PLOTTED		
	TEMPLATE		
	AREAS		
	AREAS CHECKED		

S.N. 092-0087 TO S.N. 092-0149



FILE NAME:
 USER NAME: collier-ba
 DESIGNER:
 DRAWN:
 CHECKED:
 DATE:
 REVISED:
 REVISED:
 REVISED:
 REVISED:
 SCALE:
 SHEET NO. OF SHEETS: STA. 1919+50.00 TO STA. 1920+50.00
 STATE OF ILLINOIS
 DEPARTMENT OF TRANSPORTATION
 MEDIAN CROSS SECTIONS
 FEDERAL AID PROJECT
 CHAMPAIGN & VERNILION
 COUNTY:
 CONTRACT NO. 70643
 TOTAL SHEET NO. 150
 SHEET NO. 172

ORIGINAL SURVEY	SURVEYED	BY	DATE
NOTE BOOK	PLOTTED		
	TEMPLATE		
	AREAS		
	AREAS CHECKED		

FINAL SURVEY	SURVEYED	BY	DATE
NOTE BOOK	PLOTTED		
	TEMPLATE		
	AREAS		
	AREAS CHECKED		

20 15 10 5 0 5 10 15 20

S.N. 092-0038

610

610

1928 + 25.00

C = 0.0
F = 0.0

610.13

610

610

1928 + 00.00

C = 0.4
F = 5.6

608.96

1:4

1:10

610

610

1927 + 75.00

C = 0.0
F = 0.0

608.34

S.N. 092-0087 TO S.N. 092-0149

610

610

1921 + 25.00

C = 0.0
F = 0.0

610.16

615

615

1921 + 00.00

C = 0.0
F = 6.6

610.54

1:10

1:6

615

615

1920 + 75.00

C = 0.0
F = 0.0

611.51

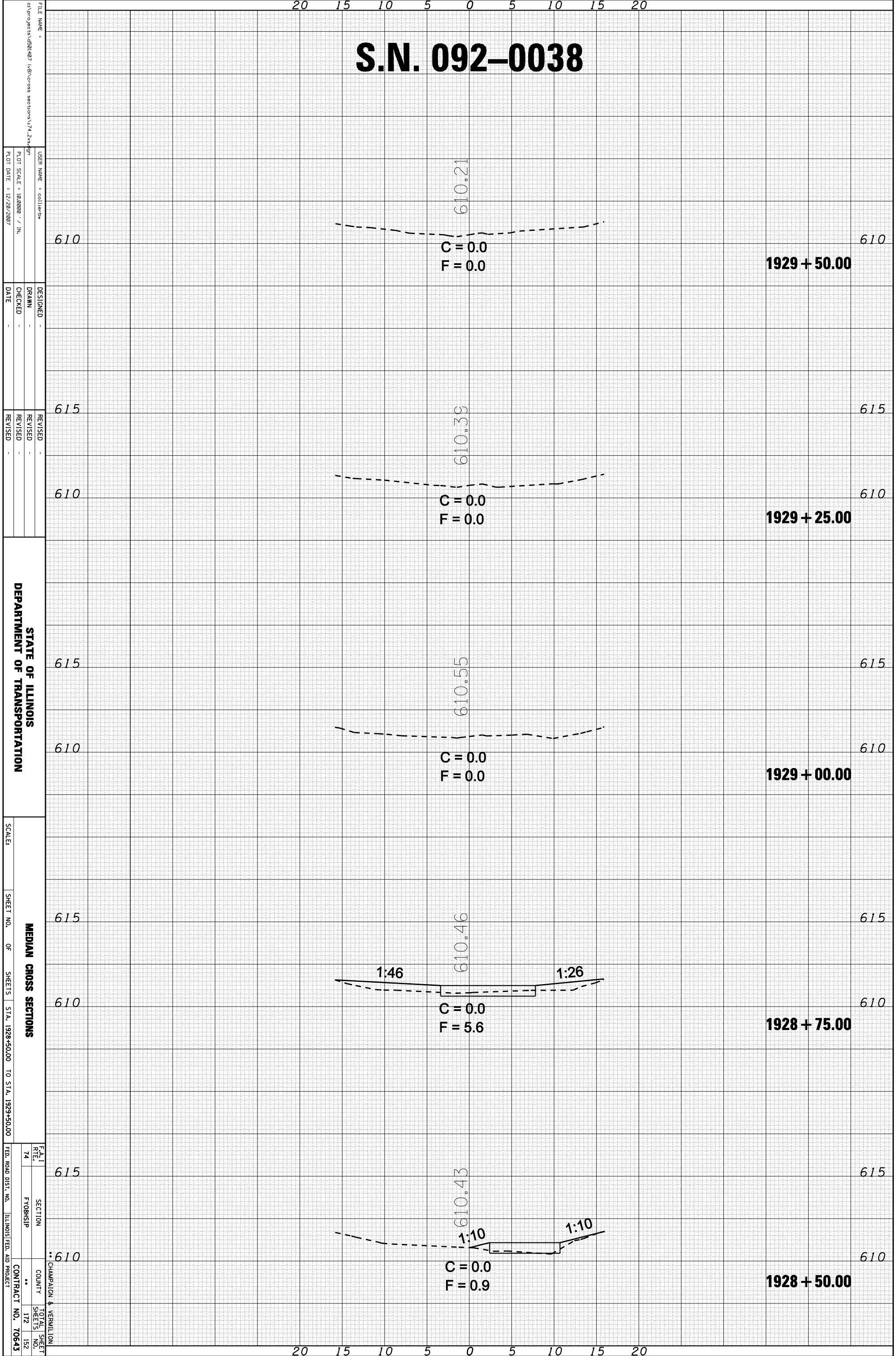
FILE NAME = c:\p\projects\9501407 (A)\Cross sections\74 2x50p
USER NAME = collier-ba
DESIGNED -
DRAWN -
CHECKED -
DATE -
REVISOR -
REVISION -
REVISOR -
REVISION -
REVISOR -
REVISION -
SCALE: 1/4" = 10.000' / IN.
PLOT DATE: 12/20/2007
STATE OF ILLINOIS
DEPARTMENT OF TRANSPORTATION
SHEET NO. OF SHEETS STA. 1920+75.00 TO STA. 1928+25.00
MEDIAN CROSS SECTIONS
SCALE: 1/4" = 10.000' / IN.
SHEET NO. OF SHEETS STA. 1920+75.00 TO STA. 1928+25.00
F.A.I. 74 SECTION COUNTY TOTAL SHEET NO. 172 151
CHAMPAIGN & VERMILION
CONTRACT NO. 70643
ILLINOIS FED. AID PROJECT

20 15 10 5 0 5 10 15 20

ORIGINAL SURVEY	SURVEYED	BY	DATE
NOTE BOOK	PLOTTED		
	TEMPLATE		
	AREAS		
	AREAS CHECKED		

FINAL SURVEY	SURVEYED	BY	DATE
NOTE BOOK	PLOTTED		
	TEMPLATE		
	AREAS		
	AREAS CHECKED		

S.N. 092-0038



FILE NAME =
 USER NAME = collier-ba
 DESIGNED -
 DRAWN -
 CHECKED -
 DATE -

REVISOR
 REVISION
 DATE

STATE OF ILLINOIS
 DEPARTMENT OF TRANSPORTATION

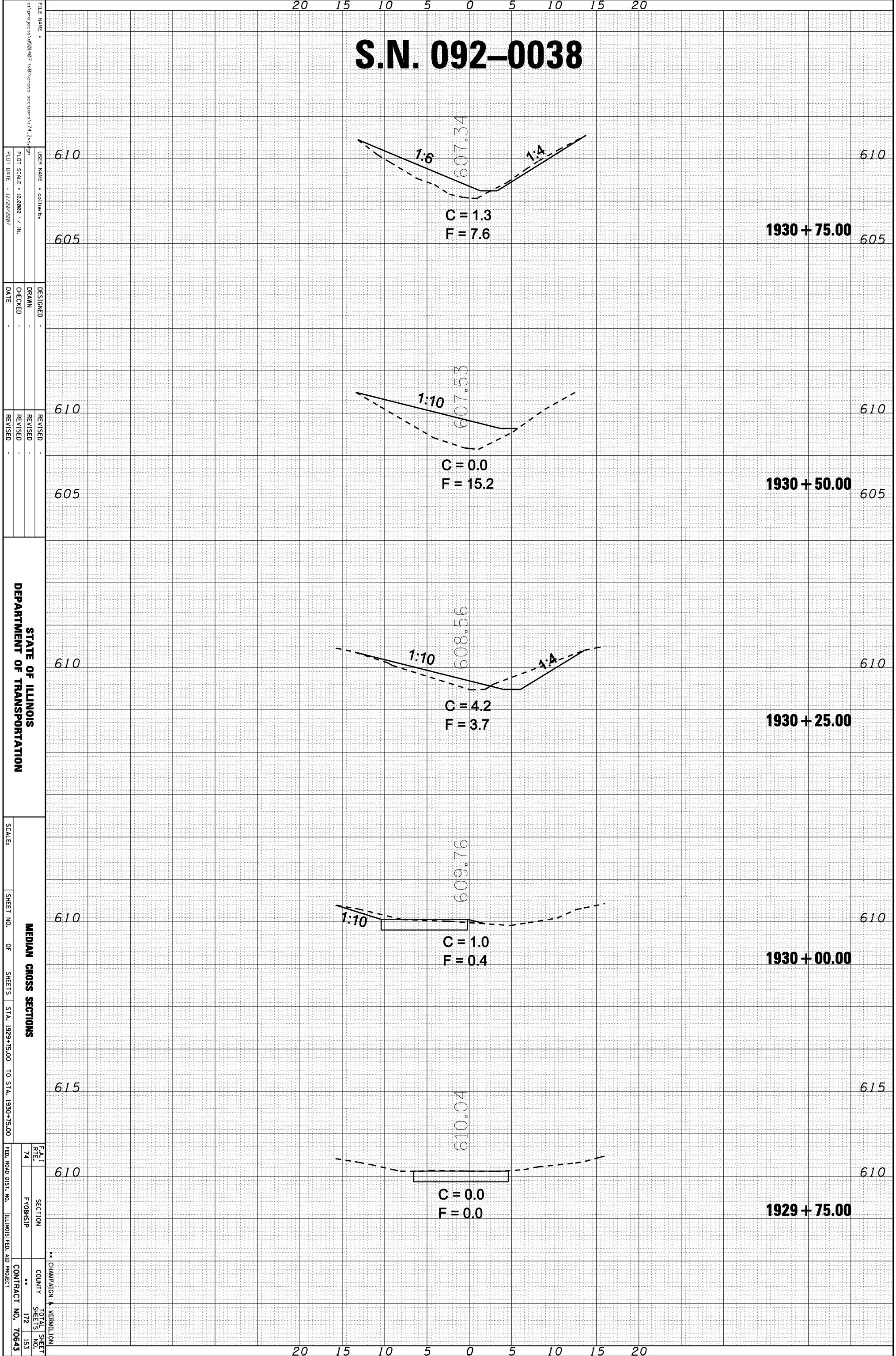
SCALE:
 SHEET NO. OF SHEETS
 STA. 1928+50.00 TO STA. 1929+50.00
 FEDERAL AID PROJECT

SECTION	COUNTY	TOTAL SHEET NO.
74	CHAMPAIGN & VERMILION	172 152
CONTRACT NO. 70643		

ORIGINAL SURVEY	SURVEYED	BY	DATE
NOTE BOOK	PLOTTED		
	TEMPLATE		
	AREAS		
	AREAS CHECKED		

FINAL SURVEY	SURVEYED	BY	DATE
NOTE BOOK	PLOTTED		
	TEMPLATE		
	AREAS		
	AREAS CHECKED		

S.N. 092-0038



FILE NAME =
 USER NAME = collier-ba
 DESIGNED -
 DRAWN -
 CHECKED -
 DATE -

DESIGNED -
 DRAWN -
 CHECKED -
 DATE -

REVISOR
 REVISION
 DATE

STATE OF ILLINOIS
 DEPARTMENT OF TRANSPORTATION

610
605
610
605
610
605
610
605
610
605
610
605

SCALE:
 SHEET NO. OF SHEETS
 STA. 1929+75.00 TO STA. 1930+75.00

MEDIAN CROSS SECTIONS

F.A.I. RT. 74	SECTION	COUNTY	TOTAL SHEET NO.
	FY08MSIP	**	172 153

** CHAMPAIGN & VERMILION

FED. ROAD DIST. NO. ILLINOIS FED. AID PROJECT

CONTRACT NO. 70643

ORIGINAL SURVEY	SURVEYED	BY	DATE
NOTE BOOK	PLOTTED		
	TEMPLATE		
	AREAS		
	AREAS CHECKED		

FINAL SURVEY	SURVEYED	BY	DATE
NOTE BOOK	PLOTTED		
	TEMPLATE		
	AREAS		
	AREAS CHECKED		

20 15 10 5 0 5 10 15 20

S.N. 092-0150

610

610

608.21

1:10

C = 0.0
F = 2.1

1935 + 00.00

610

610

606.82

1:8.5

C = 0.0
F = 8.1

1934 + 75.00

605

605

610

610

606.35

1:6

C = 0.0
F = 9.2

1934 + 50.00

605

605

610

610

606.15

C = 0.0
F = 0.0

1934 + 25.00

605

605

S.N. 092-0038

610

610

607.23

C = 0.0
F = 0.0

1931 + 00.00

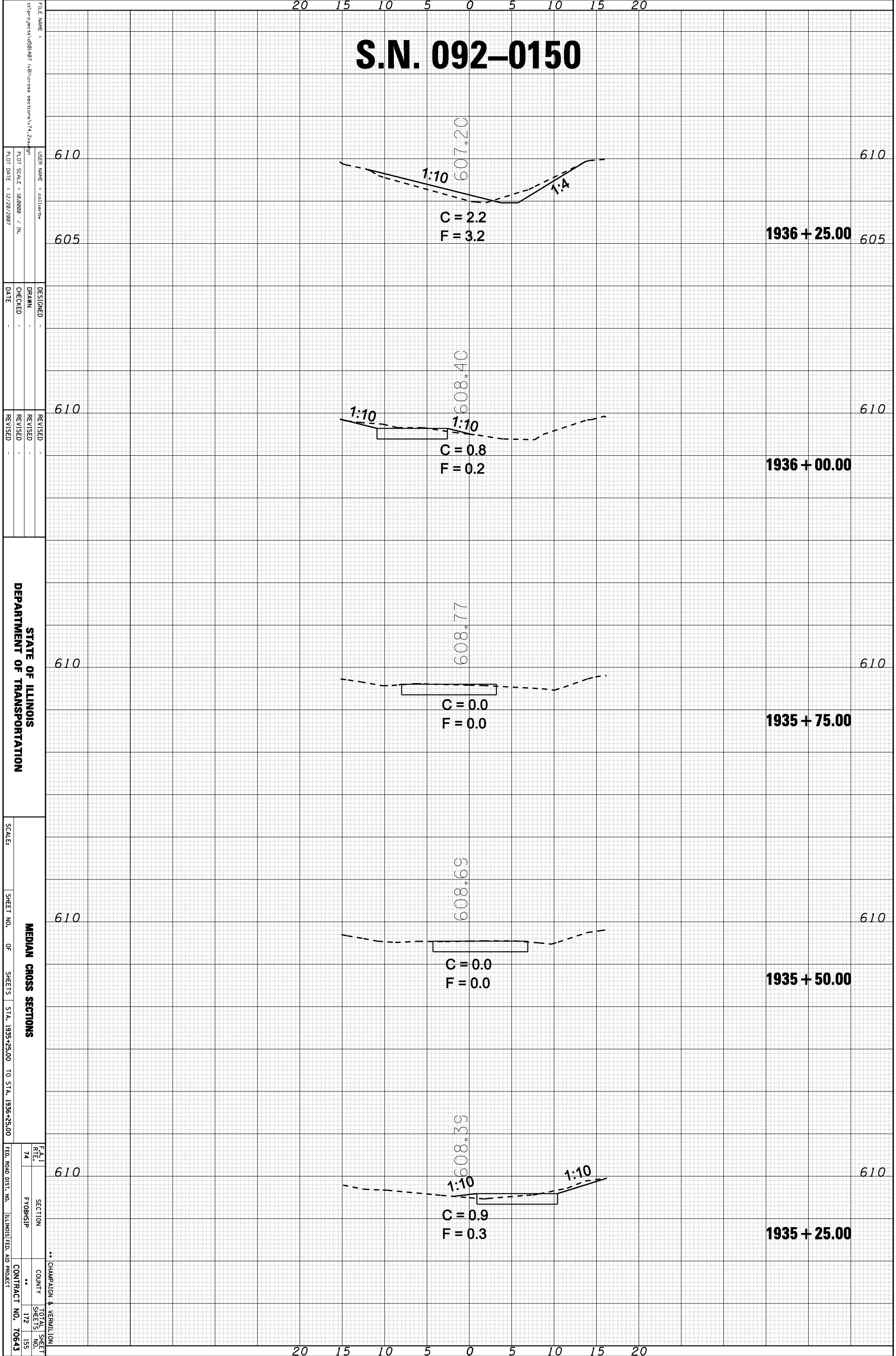
FILE NAME: c:\p\projects\9501407\48\cross sections\74_2x4x9n
USER NAME: collier-ba
DESIGNED: -
DRAWN: -
CHECKED: -
DATE: -
REVISOR: -
REVISION: -
REVISOR: -
REVISION: -
REVISOR: -
REVISION: -
SCALE: 1/8" = 1'-0"
PLOT DATE: 12/28/2007
STATE OF ILLINOIS
DEPARTMENT OF TRANSPORTATION
SCALE: -
SHEET NO. OF SHEETS: 74 OF 172
MEDIAN CROSS SECTIONS
STA. 1931+00.00 TO STA. 1935+00.00
F.A.I. RT. 74
SECTION FY08MSIP
COUNTY **
CONTRACT NO. 70643
CHAMPAIGN & VERNILION
TOTAL SHEET NO. 172
SHEETS 154

20 15 10 5 0 5 10 15 20

ORIGINAL SURVEY	SURVEYED	BY	DATE
NOTE BOOK	PLOTTED		
	TEMPLATE		
	AREAS		
	AREAS CHECKED		

FINAL SURVEY	SURVEYED	BY	DATE
NOTE BOOK	PLOTTED		
	TEMPLATE		
	AREAS		
	AREAS CHECKED		

S.N. 092-0150



FILE NAME =
 USER NAME = collier-ba
 DESIGNED -
 DRAWN -
 CHECKED -
 DATE -

DESIGNED -
 DRAWN -
 CHECKED -
 DATE -

REVISOR
 REVISION
 DATE

STATE OF ILLINOIS
 DEPARTMENT OF TRANSPORTATION

SCALE: 1" = 20'
 SHEET NO. OF SHEETS: 74 OF 155
 STA. 1935+25.00 TO STA. 1936+25.00

SECTION: CHAMPAIGN & VERMILION
 COUNTY: CHAMPAIGN
 CONTRACT NO. 70643

FED. ROAD DIST. NO. ILLINOIS FED. AID PROJECT

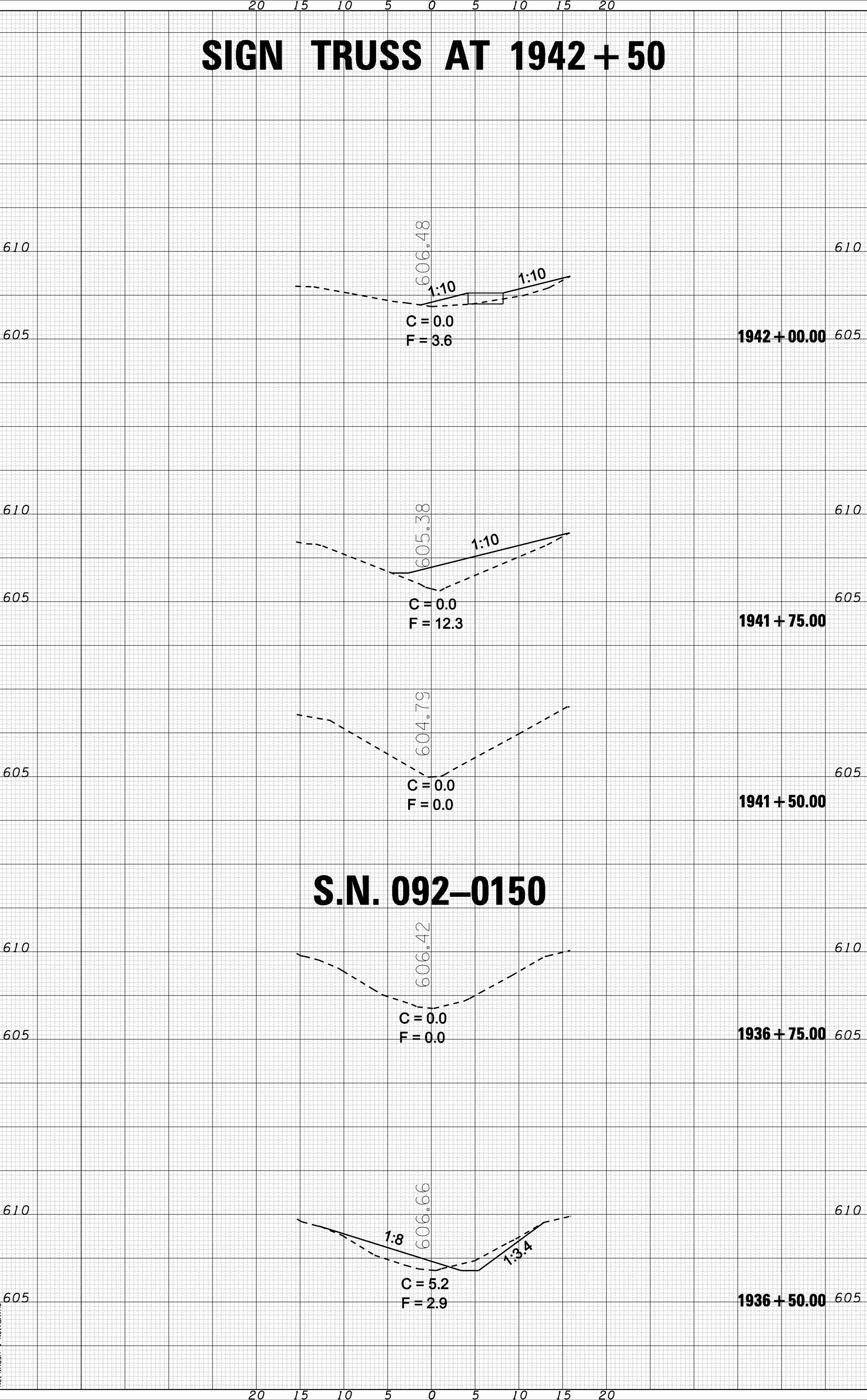
TOTAL SHEET NO. 155

ORIGINAL SURVEY	SURVEYED	BY	DATE
NOTE BOOK	PLOTTED		
	TEMPLATE		
	AREAS		
	AREAS CHECKED		

FINAL SURVEY	SURVEYED	BY	DATE
NOTE BOOK	PLOTTED		
	TEMPLATE		
	AREAS		
	AREAS CHECKED		

SIGN TRUSS AT 1942+50

FILE NAME = c:\p\projects\1942+50\1942+50\cross sections\74_2.ssp
 USER NAME = collierba
 DESIGNER -
 DRAWN -
 CHECKED -
 DATE -
 REVISED -
 REVISED -
 REVISED -
 REVISED -
 SCALE: 1:12500
 SHEET NO. OF SHEETS STA. 1936+50.00 TO STA. 1942+00.00
 FEDERAL ROUTE 74
 SECTION COUNTY
 FY08MSIP
 CHAMPAIGN & VERMILION
 CONTRACT NO. 70643
 ILLINOIS FED. AID PROJECT



S.N. 092-0150

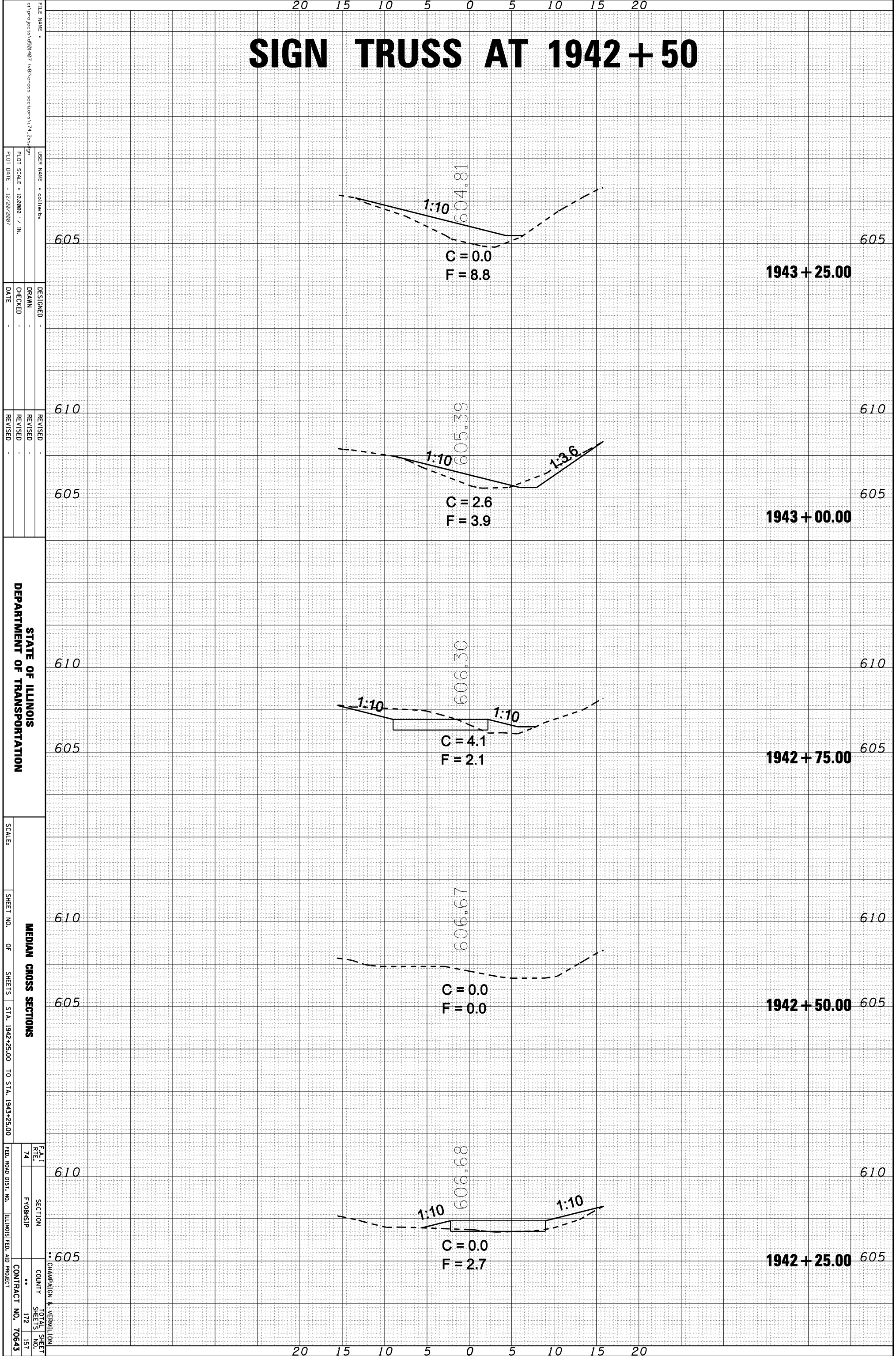
STATE OF ILLINOIS
DEPARTMENT OF TRANSPORTATION

MEDIAN CROSS SECTIONS

ORIGINAL SURVEY	SURVEYED	BY	DATE
NOTE BOOK	PLOTTED		
	TEMPLATE		
	AREAS		
	AREAS CHECKED		

FINAL SURVEY	SURVEYED	BY	DATE
NOTE BOOK	PLOTTED		
	TEMPLATE		
	AREAS		
	AREAS CHECKED		

SIGN TRUSS AT 1942 + 50



FILE NAME = c:\p\projects\1942+50\1942+50\cross sections\74_2.sxd
 USER NAME = collier-ba
 DESIGNER -
 DRAWN -
 CHECKED -
 DATE -
 REVISIONS -
 REVISION 1 -
 REVISION 2 -
 REVISION 3 -
 REVISION 4 -
 REVISION 5 -
 REVISION 6 -
 REVISION 7 -
 REVISION 8 -
 REVISION 9 -
 REVISION 10 -
 REVISION 11 -
 REVISION 12 -
 REVISION 13 -
 REVISION 14 -
 REVISION 15 -
 REVISION 16 -
 REVISION 17 -
 REVISION 18 -
 REVISION 19 -
 REVISION 20 -
 REVISION 21 -
 REVISION 22 -
 REVISION 23 -
 REVISION 24 -
 REVISION 25 -
 REVISION 26 -
 REVISION 27 -
 REVISION 28 -
 REVISION 29 -
 REVISION 30 -
 REVISION 31 -
 REVISION 32 -
 REVISION 33 -
 REVISION 34 -
 REVISION 35 -
 REVISION 36 -
 REVISION 37 -
 REVISION 38 -
 REVISION 39 -
 REVISION 40 -
 REVISION 41 -
 REVISION 42 -
 REVISION 43 -
 REVISION 44 -
 REVISION 45 -
 REVISION 46 -
 REVISION 47 -
 REVISION 48 -
 REVISION 49 -
 REVISION 50 -
 REVISION 51 -
 REVISION 52 -
 REVISION 53 -
 REVISION 54 -
 REVISION 55 -
 REVISION 56 -
 REVISION 57 -
 REVISION 58 -
 REVISION 59 -
 REVISION 60 -
 REVISION 61 -
 REVISION 62 -
 REVISION 63 -
 REVISION 64 -
 REVISION 65 -
 REVISION 66 -
 REVISION 67 -
 REVISION 68 -
 REVISION 69 -
 REVISION 70 -
 REVISION 71 -
 REVISION 72 -
 REVISION 73 -
 REVISION 74 -
 REVISION 75 -
 REVISION 76 -
 REVISION 77 -
 REVISION 78 -
 REVISION 79 -
 REVISION 80 -
 REVISION 81 -
 REVISION 82 -
 REVISION 83 -
 REVISION 84 -
 REVISION 85 -
 REVISION 86 -
 REVISION 87 -
 REVISION 88 -
 REVISION 89 -
 REVISION 90 -
 REVISION 91 -
 REVISION 92 -
 REVISION 93 -
 REVISION 94 -
 REVISION 95 -
 REVISION 96 -
 REVISION 97 -
 REVISION 98 -
 REVISION 99 -
 REVISION 100 -

STATE OF ILLINOIS
 DEPARTMENT OF TRANSPORTATION

SCALE: SHEET NO. OF SHEETS STA. 1942+25.00 TO STA. 1943+25.00

MEDIAN CROSS SECTIONS

F.A.I. R.T.E. 74 SECTION COUNTY TOTAL SHEET NO. 172 157

CHAMPAIGN & VERMILION CONTRACT NO. 70643

FED. ROAD DIST. NO. ILLINOIS FED. AID PROJECT

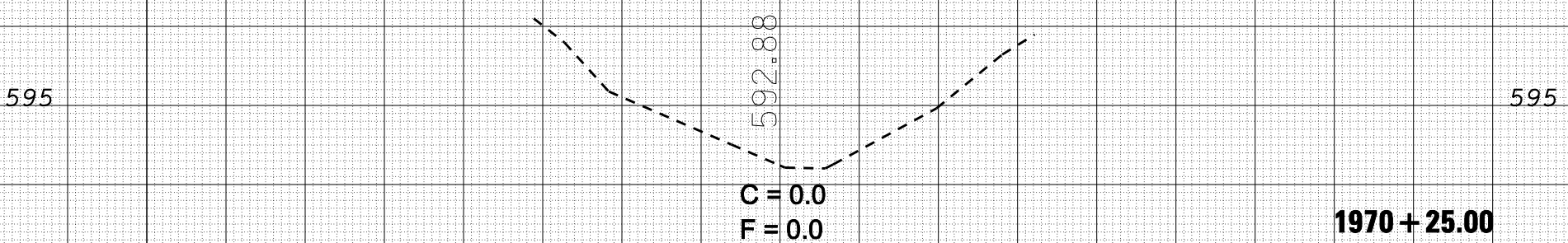
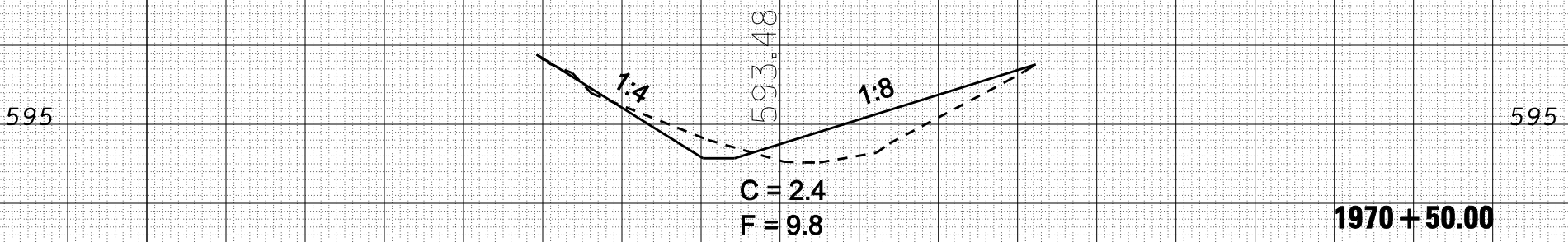
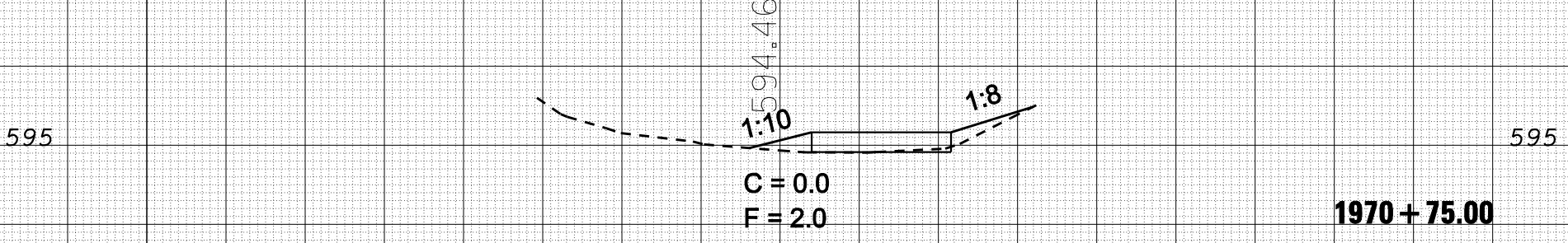
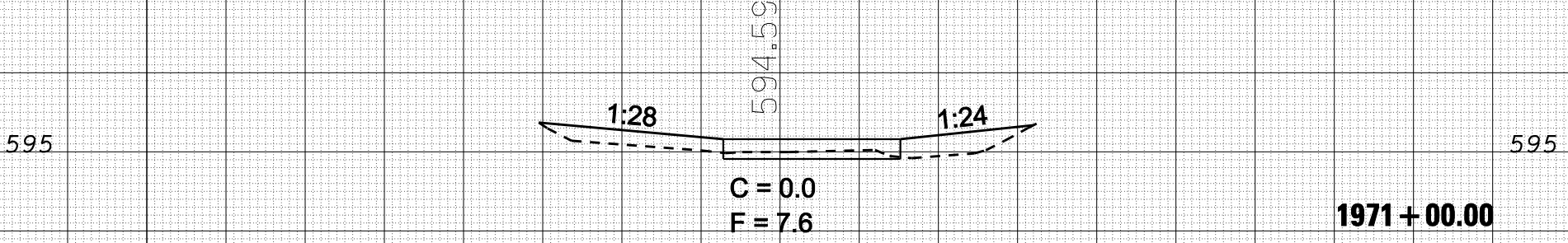
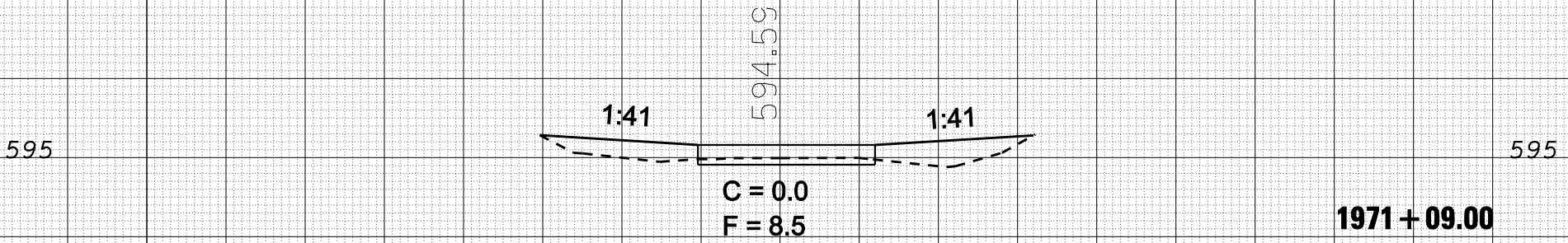
ORIGINAL SURVEY	SURVEYED	BY	DATE
NOTE BOOK	PLOTTED		
	TEMPLATE		
	AREAS		
	AREAS CHECKED		

FINAL SURVEY	SURVEYED	BY	DATE
NOTE BOOK	PLOTTED		
	TEMPLATE		
	AREAS		
	AREAS CHECKED		

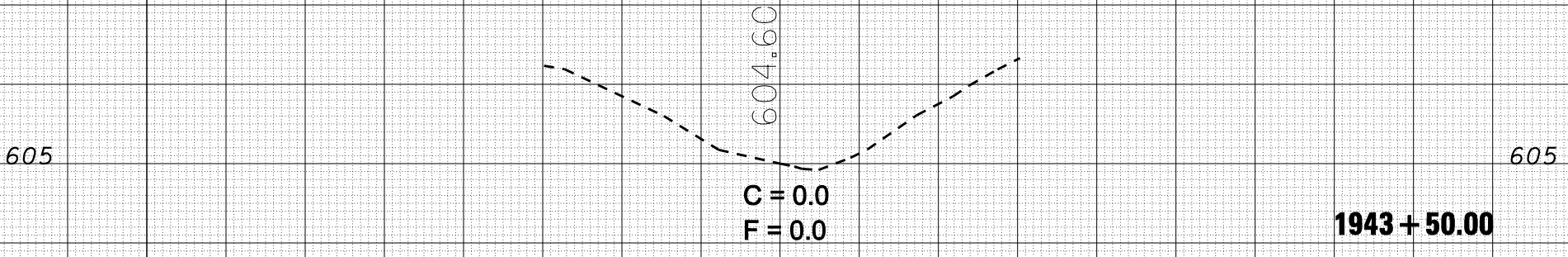
20 15 10 5 0 5 10 15 20

S.N. 092-0129

FILE NAME = c:\p\projects\1981407 (A)\Cross sections\74 2x4x9n
 USER NAME = collier-ba
 DESIGNER -
 DRAWN -
 CHECKED -
 DATE -
 REVISED -
 REVISED -
 REVISED -
 REVISED -
 SCALE: 1/4" = 10.000' / IN.
 PLOT DATE = 12/28/2007
 DEPARTMENT OF TRANSPORTATION
 SCALE: 1/4" = 10.000' / IN.
 SHEET NO. OF SHEETS 74
 MEDIAN CROSS SECTIONS
 STA. 1943+50.00 TO STA. 1971+09.00
 CHAMPAIGN & VERMILION
 COUNTY
 CONTRACT NO. 70643
 TOTAL SHEET NO. 158
 SHEET NO. 172



SIGN TRUSS AT 1942+50

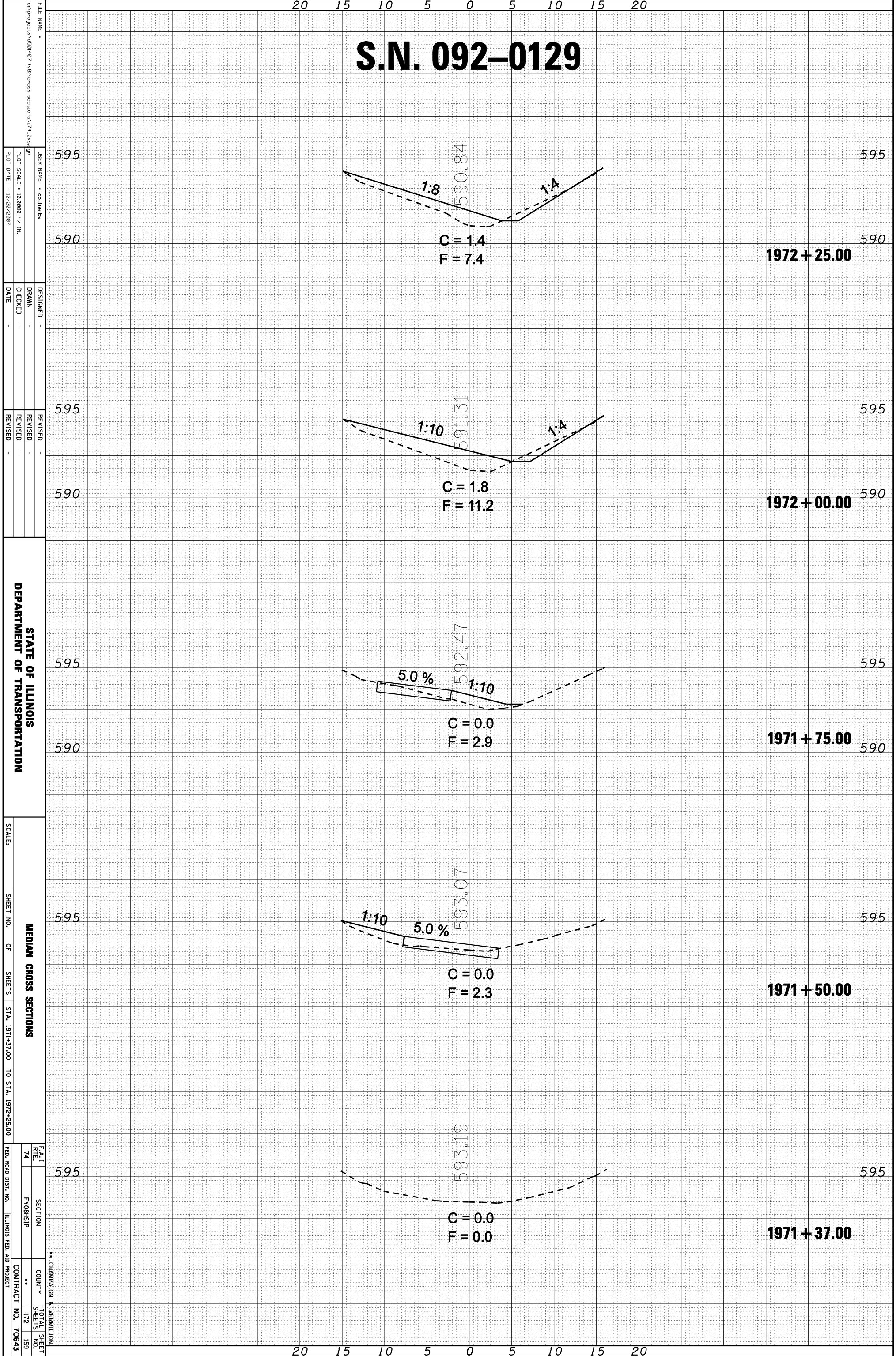


20 15 10 5 0 5 10 15 20

ORIGINAL SURVEY	SURVEYED	BY	DATE
NOTE BOOK	PLOTTED		
	TEMPLATE		
	AREAS		
	AREAS CHECKED		

FINAL SURVEY	SURVEYED	BY	DATE
NOTE BOOK	PLOTTED		
	TEMPLATE		
	AREAS		
	AREAS CHECKED		

S.N. 092-0129



FILE NAME =
 USER NAME = collier-ba
 DESIGNED -
 DRAWN -
 CHECKED -
 DATE -

DESIGNED -
 DRAWN -
 CHECKED -
 DATE -

REVISOR
 REVISION
 DATE

STATE OF ILLINOIS
 DEPARTMENT OF TRANSPORTATION

SCALE: 1" = 10'-0"

SHEET NO. OF SHEETS: 74 OF 172

STA. 1971+37.00 TO STA. 1972+25.00

MEDIAN CROSS SECTIONS

FED. ROAD DIST. NO. ILLINOIS FED. AID PROJECT

CHAMPAIGN & VERMILION

COUNTY

CONTRACT NO. 70643

TOTAL SHEET NO. 172

SHEET NO. 74

SECTION

FYORSHIP

SECTION

FYORSHIP

SECTION

FYORSHIP

SECTION

FYORSHIP

SECTION

FYORSHIP

SECTION

FYORSHIP

SECTION

FYORSHIP

SECTION

FYORSHIP

SECTION

FYORSHIP

SECTION

FYORSHIP

SECTION

FYORSHIP

SECTION

FYORSHIP

SECTION

FYORSHIP

SECTION

FYORSHIP

SECTION

FYORSHIP

SECTION

FYORSHIP

SECTION

FYORSHIP

SECTION

FYORSHIP

SECTION

FYORSHIP

SECTION

FYORSHIP

SECTION

FYORSHIP

SECTION

FYORSHIP

SECTION

FYORSHIP

ORIGINAL SURVEY	SURVEYED	BY	DATE
NOTE BOOK	PLOTTED		
	TEMPLATE		
	AREAS		
	AREAS CHECKED		

FINAL SURVEY	SURVEYED	BY	DATE
NOTE BOOK	PLOTTED		
	TEMPLATE		
	AREAS		
	AREAS CHECKED		

20 15 10 5 0 5 10 15 20

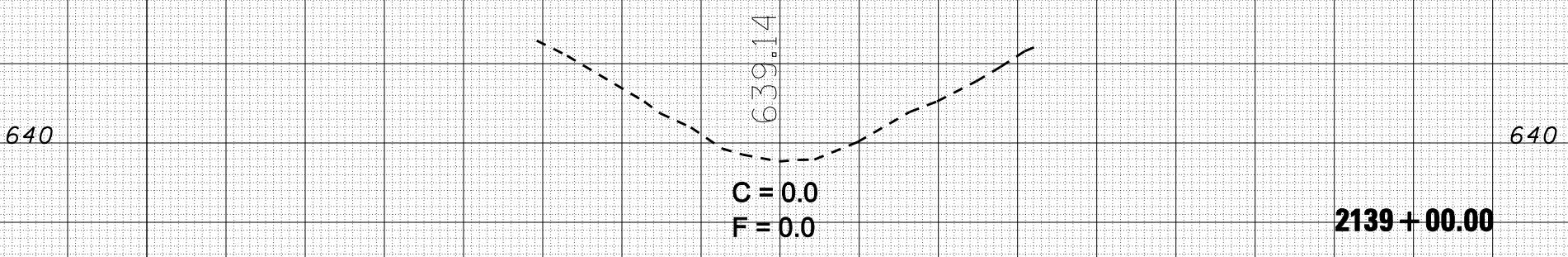
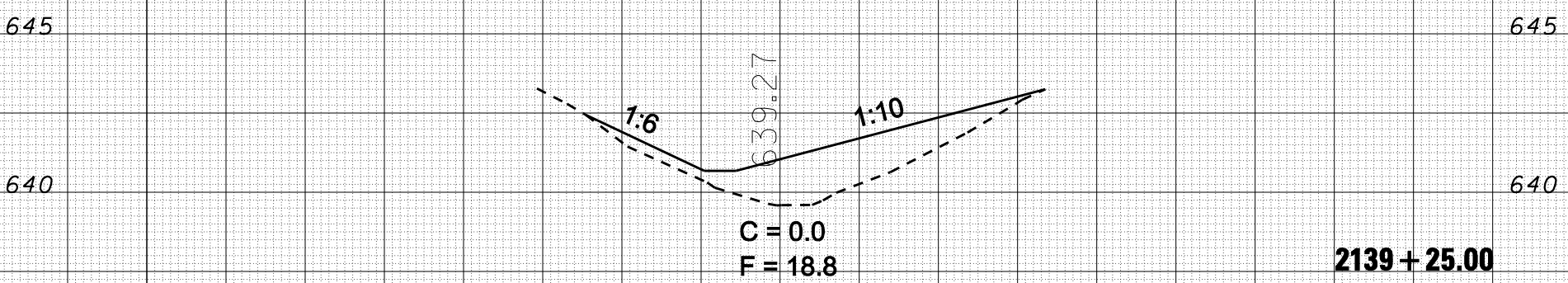
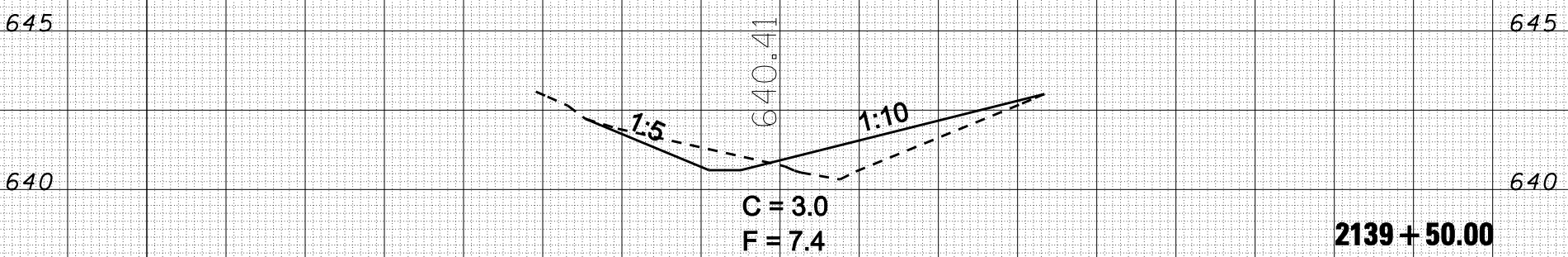
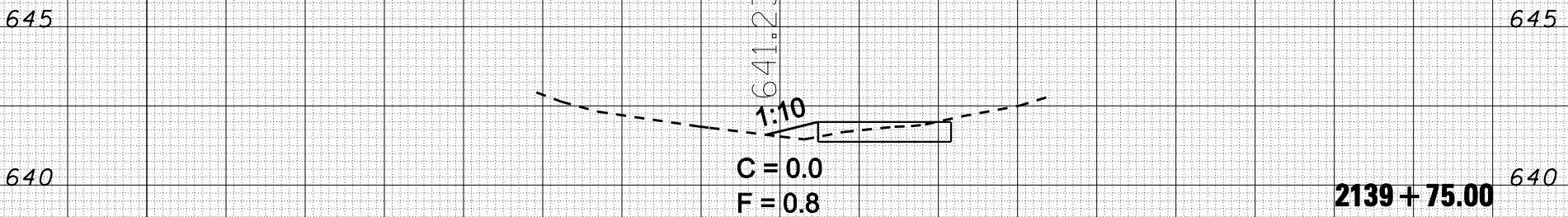
S.N. 092-0151

FILE NAME =
 USER NAME = collier-ba
 DESIGNER -
 DRAWN -
 CHECKED -
 DATE -
 REVISED -
 REVISED -
 REVISED -
 REVISED -
 SCALE: 1:10000
 PLOT DATE: 12/28/2007

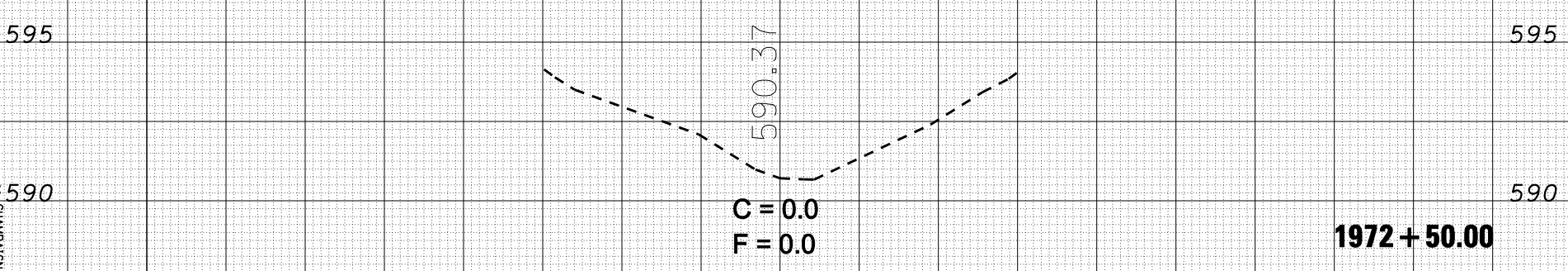
STATE OF ILLINOIS
 DEPARTMENT OF TRANSPORTATION

SCALE:
 SHEET NO. OF SHEETS
 STA. 1972+50.00 TO STA. 2139+75.00
 MEDIAN CROSS SECTIONS

FEA I
 RT 74
 SECTION
 COUNTY
 CONTRACT NO. 70643
 CHAMPAIGN & VERMILION
 TOTAL SHEET NO. 172 160



S.N. 092-0129

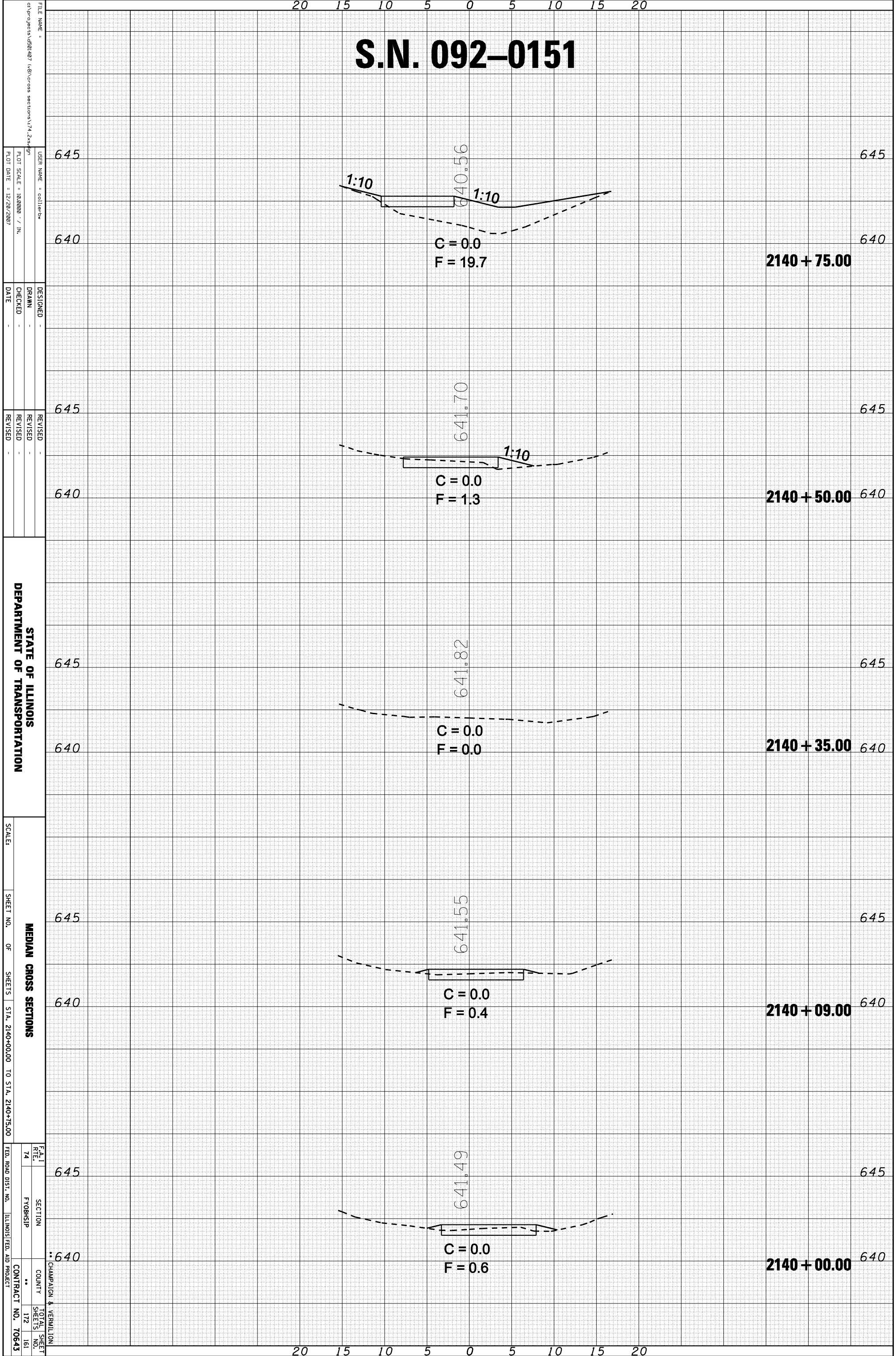


20 15 10 5 0 5 10 15 20

ORIGINAL SURVEY	SURVEYED	BY	DATE
NOTE BOOK	PLOTTED		
	TEMPLATE		
	AREAS		
	AREAS CHECKED		

FINAL SURVEY	SURVEYED	BY	DATE
NOTE BOOK	PLOTTED		
	TEMPLATE		
	AREAS		
	AREAS CHECKED		

S.N. 092-0151



FILE NAME =
 USER NAME = collier-ba
 DRAWN -
 CHECKED -
 DATE -

DESIGNED -
 REVISIONS -
 REVISIONS -
 REVISIONS -

STATE OF ILLINOIS
 DEPARTMENT OF TRANSPORTATION

SCALE:
 SHEET NO. OF SHEETS
 STA. 2140+00.00 TO STA. 2140+75.00

SECTION	STATIONING	ELEVATION	DESIGN
SECTION	2140+75.00	640.56	C = 0.0 F = 19.7
SECTION	2140+50.00	641.70	C = 0.0 F = 1.3
SECTION	2140+35.00	641.82	C = 0.0 F = 0.0
SECTION	2140+09.00	641.55	C = 0.0 F = 0.4
SECTION	2140+00.00	641.49	C = 0.0 F = 0.6

ORIGINAL SURVEY	SURVEYED	BY	DATE
NOTE BOOK	PLOTTED		
	TEMPLATE		
	AREAS		
	AREAS CHECKED		

FINAL SURVEY	SURVEYED	BY	DATE
NOTE BOOK	PLOTTED		
	TEMPLATE		
	AREAS		
	AREAS CHECKED		

20 15 10 5 0 5 10 15 20

S.N. 092-0022

645

645

2152 + 75.00

C = 0.0
F = 0.0

643.72

S.N. 092-0151

640

640

2141 + 75.00

C = 0.0
F = 0.0

638.70

645

645

2141 + 50.00

C = 0.0
F = 21.2

1:10.5

1:15

638.51

640

640

645

645

2141 + 25.00

C = 0.0
F = 33.2

1:15

1:12

638.55

640

640

645

645

2141 + 00.00

C = 0.0
F = 19.7

1:10

1:14

638.21

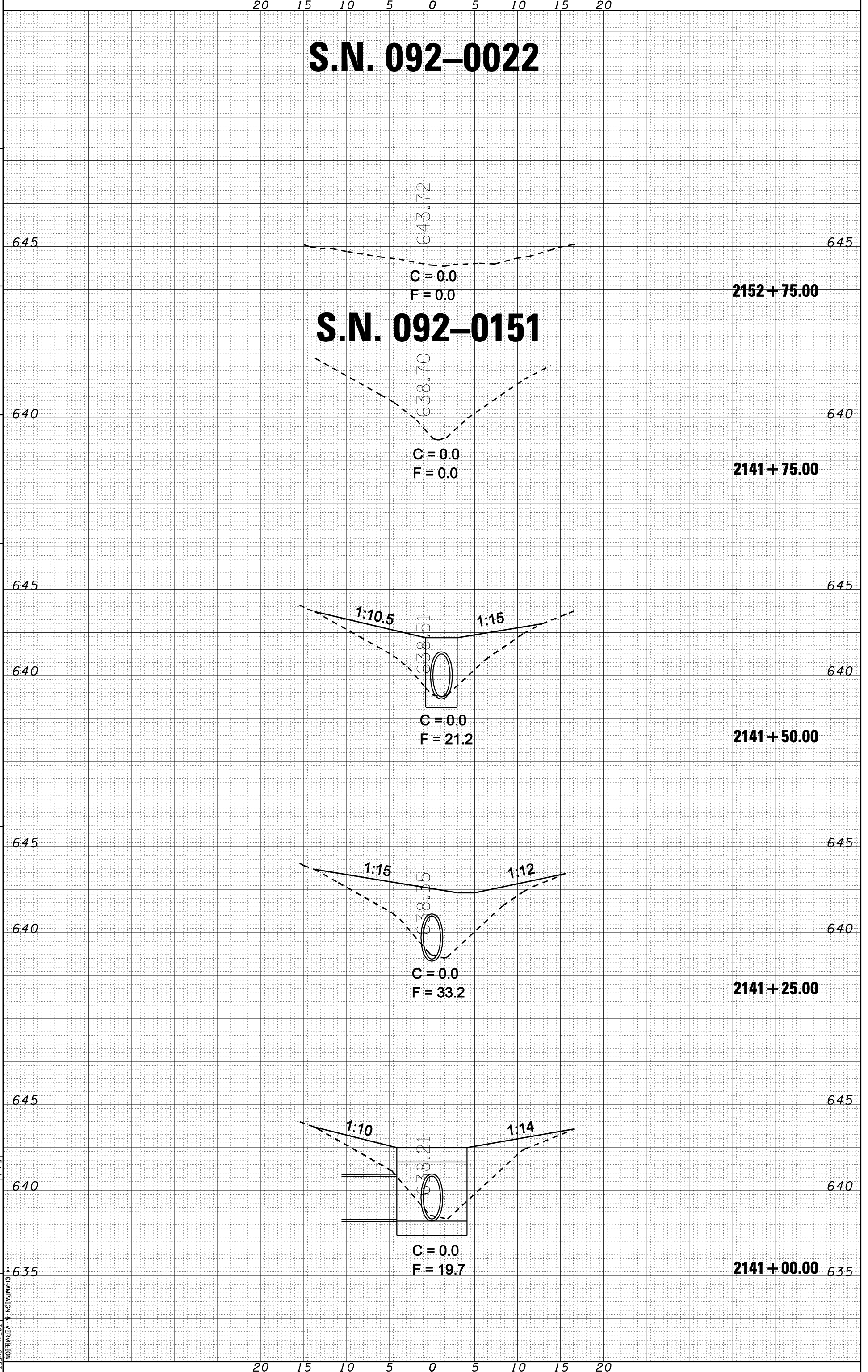
640

640

635

635

FILE NAME = c:\p\projects\9501407\48\cross sections\74_2x4x9n
USER NAME = collier-ba
DESIGNED -
DRAWN -
CHECKED -
DATE -
REVISOR -
REVISION -
REVISOR -
REVISION -
REVISOR -
REVISION -
SCALE: 1/4" = 10.000' / IN.
PLOT DATE = 12/20/2007
STATE OF ILLINOIS
DEPARTMENT OF TRANSPORTATION
SCALE: 1/4" = 10.000' / IN.
SHEET NO. OF SHEETS 74
MEDIAN CROSS SECTIONS
STA. 2141+00.00 TO STA. 2152+75.00
FED. ROAD DIST. NO. ILLINOIS FED. AID PROJECT



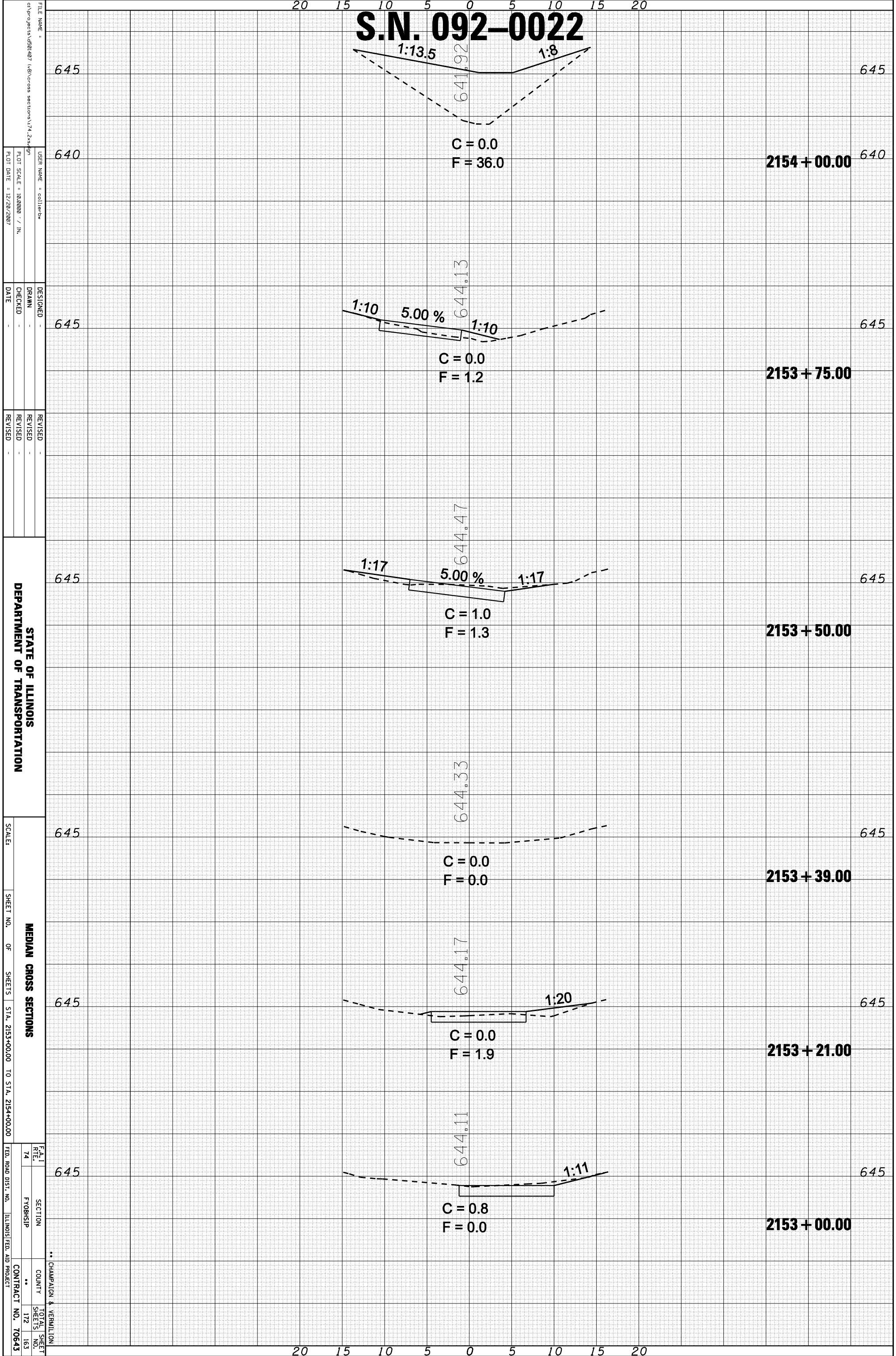
20 15 10 5 0 5 10 15 20

SECTION	COUNTY	TOTAL SHEET NO.
74	**	172
FY08MS1P		162
CONTRACT NO. 70643		
CHAMPAIGN & VERMILION		

ORIGINAL SURVEY	SURVEYED	BY	DATE
NOTE BOOK	PLOTTED		
	TEMPLATE		
	AREAS		
	AREAS CHECKED		

FINAL SURVEY	SURVEYED	BY	DATE
NOTE BOOK	PLOTTED		
	TEMPLATE		
	AREAS		
	AREAS CHECKED		

S.N. 092-0022



FILE NAME =
 USER NAME = collier-ba
 DESIGNED -
 DRAWN -
 CHECKED -
 DATE -
 REVISED -
 REVISED -
 REVISED -
 REVISED -
 PLOT SCALE = 1/8" = 1' IN.
 PLOT DATE = 12/28/2007

STATE OF ILLINOIS
DEPARTMENT OF TRANSPORTATION

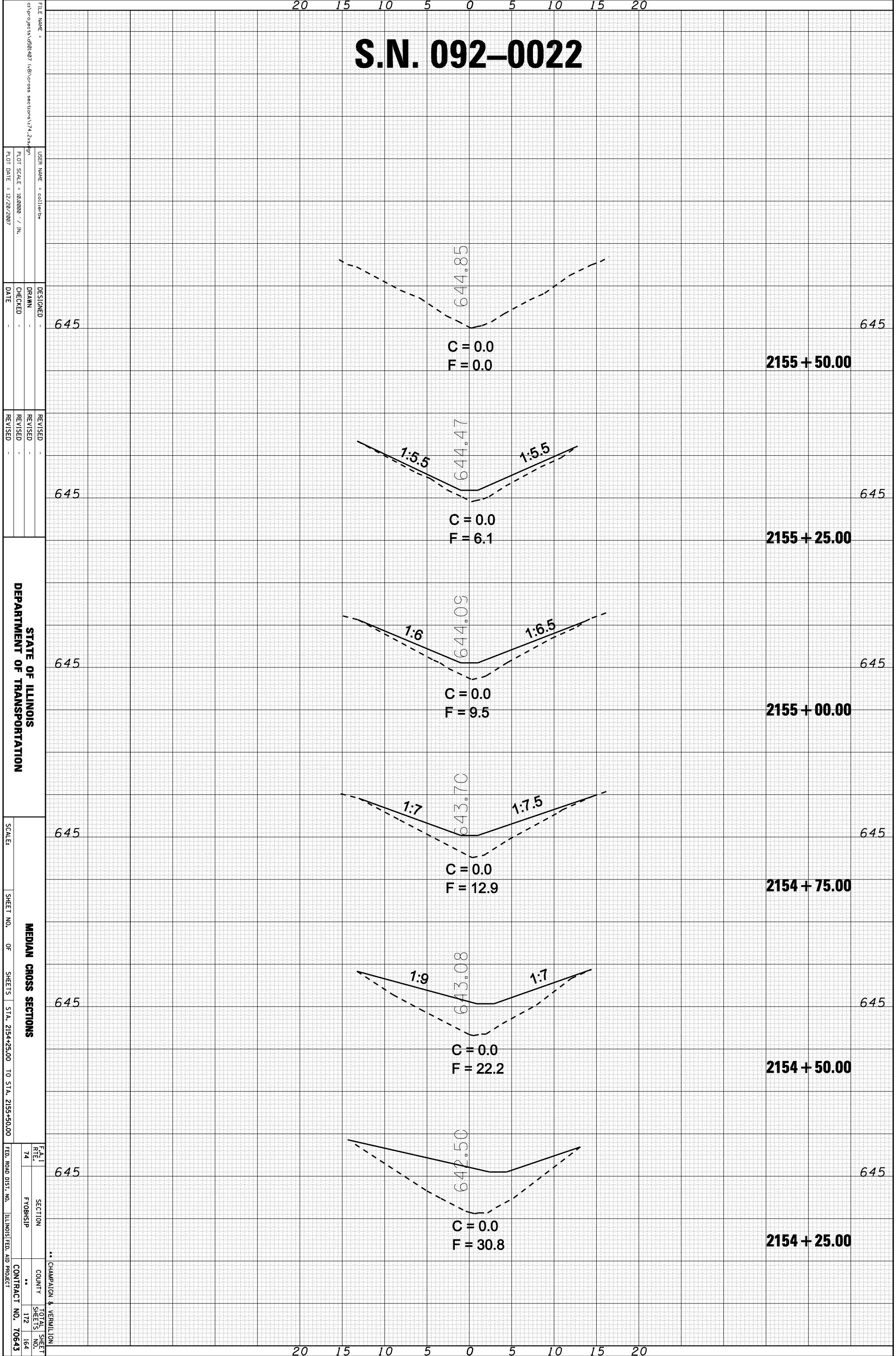
SCALE:
 SHEET NO. OF SHEETS
MEDIAN CROSS SECTIONS
 STA. 2153+00.00 TO STA. 2154+00.00

F.A.I. RT# 74
 SECTION COUNTY
 F.Y.O.B.S.H.I.P.
 CHAMPAIGN & VERNALTON
 TOTAL SHEET NO. 172
 SHEETS 163
 CONTRACT NO. 70643
 ILLINOIS FED. AID PROJECT

ORIGINAL SURVEY	SURVEYED	BY	DATE
NOTE BOOK	PLOTTED		
	TEMPLATE		
	AREAS		
	AREAS CHECKED		

FINAL SURVEY	SURVEYED	BY	DATE
NOTE BOOK	PLOTTED		
	TEMPLATE		
	AREAS		
	AREAS CHECKED		

S.N. 092-0022



FILE NAME = c:\projects\9501407\9501407\cross sections\74_2.sxd
 USER NAME = collier-ba
 DESIGNER -
 DRAWN -
 CHECKED -
 DATE -
 REVISIONS -
 REVISED -
 REVISED -
 REVISED -
 DATE -

STATE OF ILLINOIS
DEPARTMENT OF TRANSPORTATION

SCALE: _____

MEDIAN CROSS SECTIONS

SHEET NO. OF SHEETS STA. 2154+25.00 TO STA. 2155+50.00

FEA I	SECTION	TOTAL SHEET NO.
RT		172
74	FY08MSIP	164

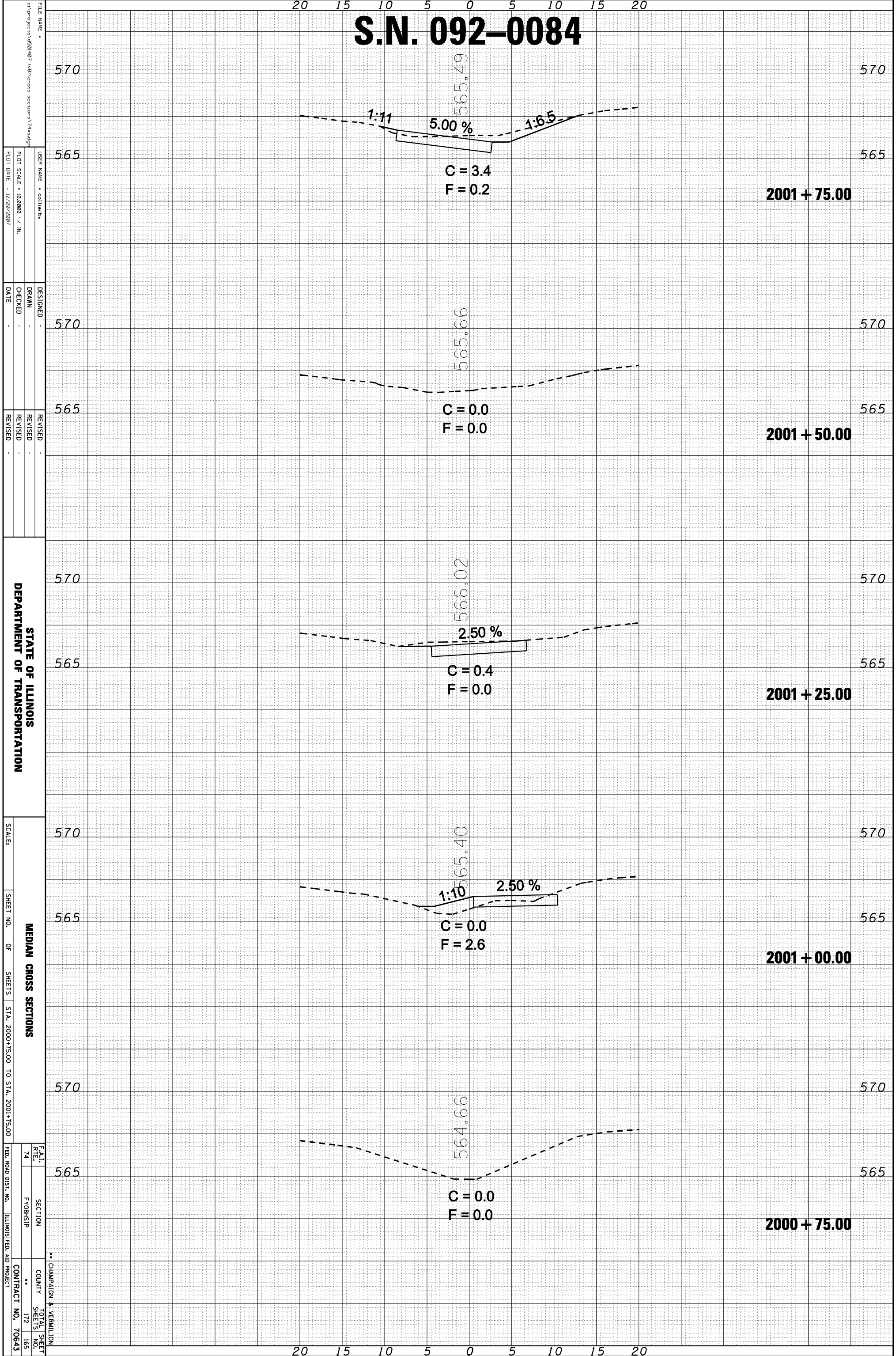
CHAMPAIGN & VERMILION
 ILLINOIS FED. AID PROJECT
 CONTRACT NO. 70643

20 15 10 5 0 5 10 15 20

ORIGINAL SURVEY	SURVEYED	BY	DATE
NOTE BOOK	PLOTTED		
	TEMPLATE		
	AREAS		
	AREAS CHECKED		

FINAL SURVEY	SURVEYED	BY	DATE
NOTE BOOK	PLOTTED		
	TEMPLATE		
	AREAS		
	AREAS CHECKED		

S.N. 092-0084



FILE NAME = c:\p\projects\9501407\481\cross sections\74ssdpr
 USER NAME = collier-ba
 DESIGNER -
 DRAWN -
 CHECKED -
 DATE -
 REVISED -
 REVISED -
 REVISED -
 REVISED -
 PLOT SCALE = 1/8"=1'-0"
 PLOT DATE = 12/20/2007

STATE OF ILLINOIS
 DEPARTMENT OF TRANSPORTATION

SCALE:
 SHEET NO. OF SHEETS
 STA. 2000+75.00 TO STA. 2001+75.00

MEDIAN CROSS SECTIONS
 FEDERAL ROUTE 74
 SECTION FV08MS1P
 COUNTY **
 CHAMPAIGN & VERMILION
 TOTAL SHEET NO. 172
 SHEET NO. 165
 CONTRACT NO. 70643
 ILLINOIS FED. AID PROJECT

ORIGINAL SURVEY	SURVEYED	BY	DATE
NOTE BOOK	PLOTTED		
	TEMPLATE		
	AREAS		
	AREAS CHECKED		

FINAL SURVEY	SURVEYED	BY	DATE
NOTE BOOK	PLOTTED		
	TEMPLATE		
	AREAS		
	AREAS CHECKED		

20 15 10 5 0 5 10 15 20

S.N. 092-0198

575

575

570

570

2009 + 50.00

1:8.5

1:10

570.37

C = 0.0
F = 18.2

575

575

570

570

2009 + 25.00

1:8

569.87

C = 0.0
F = 13.1

570

570

2009 + 00.00

C = 0.0
F = 0.0

569.36

S.N. 092-0084

565

565

2002 + 25.00

C = 0.0
F = 0.0

563.33

570

570

565

565

2002 + 00.00

C = 5.6
F = 3.6

564.34

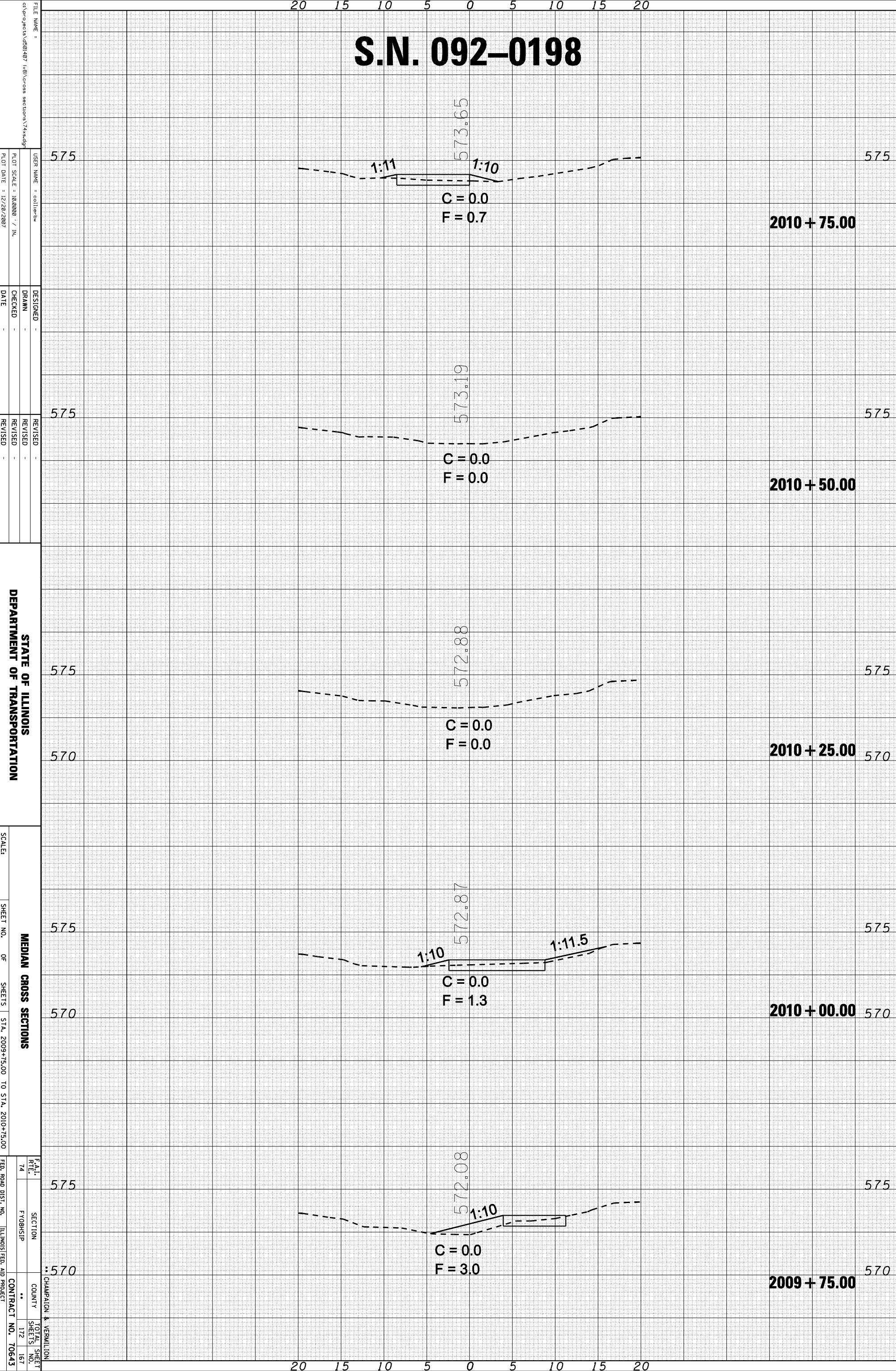
1:8 5.00% 1:10 1:6

FILE NAME = c:\p\projects\9501407\48\cross sections\74s4dpr
 USER NAME = collier-ba
 DESIGNER -
 DRAWN -
 CHECKED -
 DATE -
 REVISED -
 REVISED -
 REVISED -
 REVISED -
 SCALE: 1/4" = 10.0000' / IN.
 PLOT DATE = 12/28/2007
 STATE OF ILLINOIS
 DEPARTMENT OF TRANSPORTATION
 SCALE: 1/4" = 10.0000' / IN.
 SHEET NO. OF SHEETS
 MEDIAN CROSS SECTIONS
 STA. 2002+00.00 TO STA. 2009+50.00
 FEDERAL AID PROJECT NO. ILLINOIS FED. AID PROJECT
 CHAMPAIGN & VERNALTON
 COUNTY **
 SECTION **
 TOTAL SHEET NO. 172
 SHEET NO. 166
 CONTRACT NO. 70643

ORIGINAL SURVEY	SURVEYED	BY	DATE
NOTE BOOK	PLOTTED		
	TEMPLATE		
	AREAS		
	AREAS CHECKED		

FINAL SURVEY	SURVEYED	BY	DATE
NOTE BOOK	PLOTTED		
	TEMPLATE		
	AREAS		
	AREAS CHECKED		

S.N. 092-0198



FILE NAME = c:\projects\9501407\9501407\cross sections\74ss.dwg
 USER NAME = collier-ba
 PLOT SCALE = 10:0000 / 1" = 100'
 PLOT DATE = 12/28/2007

DESIGNED -
 DRAWN -
 CHECKED -
 DATE -

REVISOR
 REVISION
 REVISION
 REVISION

STATE OF ILLINOIS
 DEPARTMENT OF TRANSPORTATION

SCALE:
 SHEET NO. OF SHEETS
 STA. 2009+75.00 TO STA. 2010+75.00

MEDIAN CROSS SECTIONS

F.A.I. RT# 74
 SECTION FV08MS1P
 COUNTY **
 CHAMPAIGN & VERMILION
 TOTAL SHEET NO. 172 OF 167
 CONTRACT NO. 70643
 FED. ROAD DIST. NO. ILLINOIS FED. AID PROJECT

ORIGINAL SURVEY	SURVEYED	BY	DATE
NOTE BOOK	PLOTTED		
	TEMPLATE		
	AREAS		
	AREAS CHECKED		

FINAL SURVEY	SURVEYED	BY	DATE
NOTE BOOK	PLOTTED		
	TEMPLATE		
	AREAS		
	AREAS CHECKED		

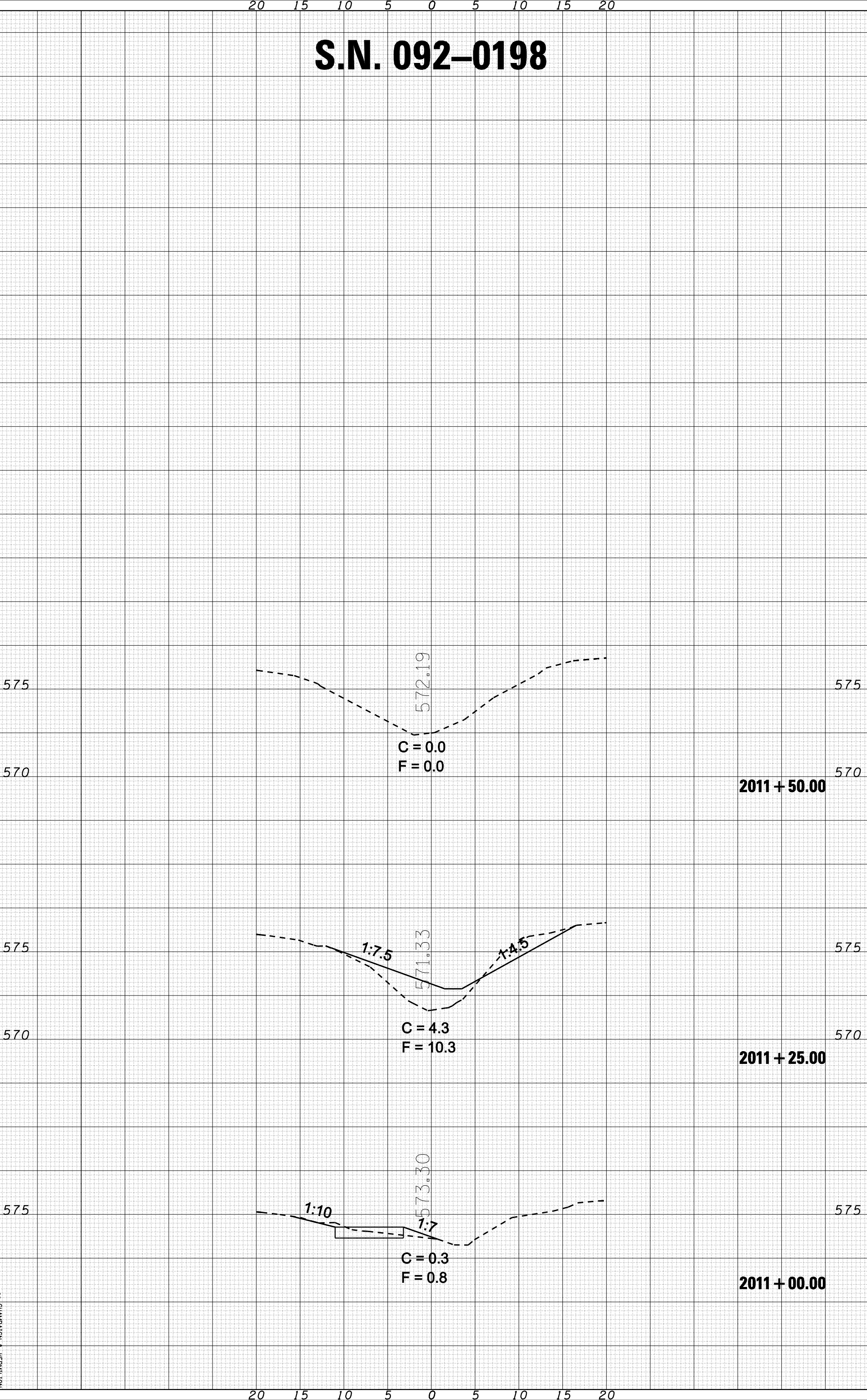
S.N. 092-0198

FILE NAME =
 USER NAME = collier-ba
 DESIGNED -
 DRAWN -
 CHECKED -
 DATE -
 REVISED -
 DRAWN -
 CHECKED -
 DATE -
 REVISED -

STATE OF ILLINOIS
 DEPARTMENT OF TRANSPORTATION

SCALE:
 SHEET NO. OF SHEETS
 STA. 2011+00.00 TO STA. 2011+50.00

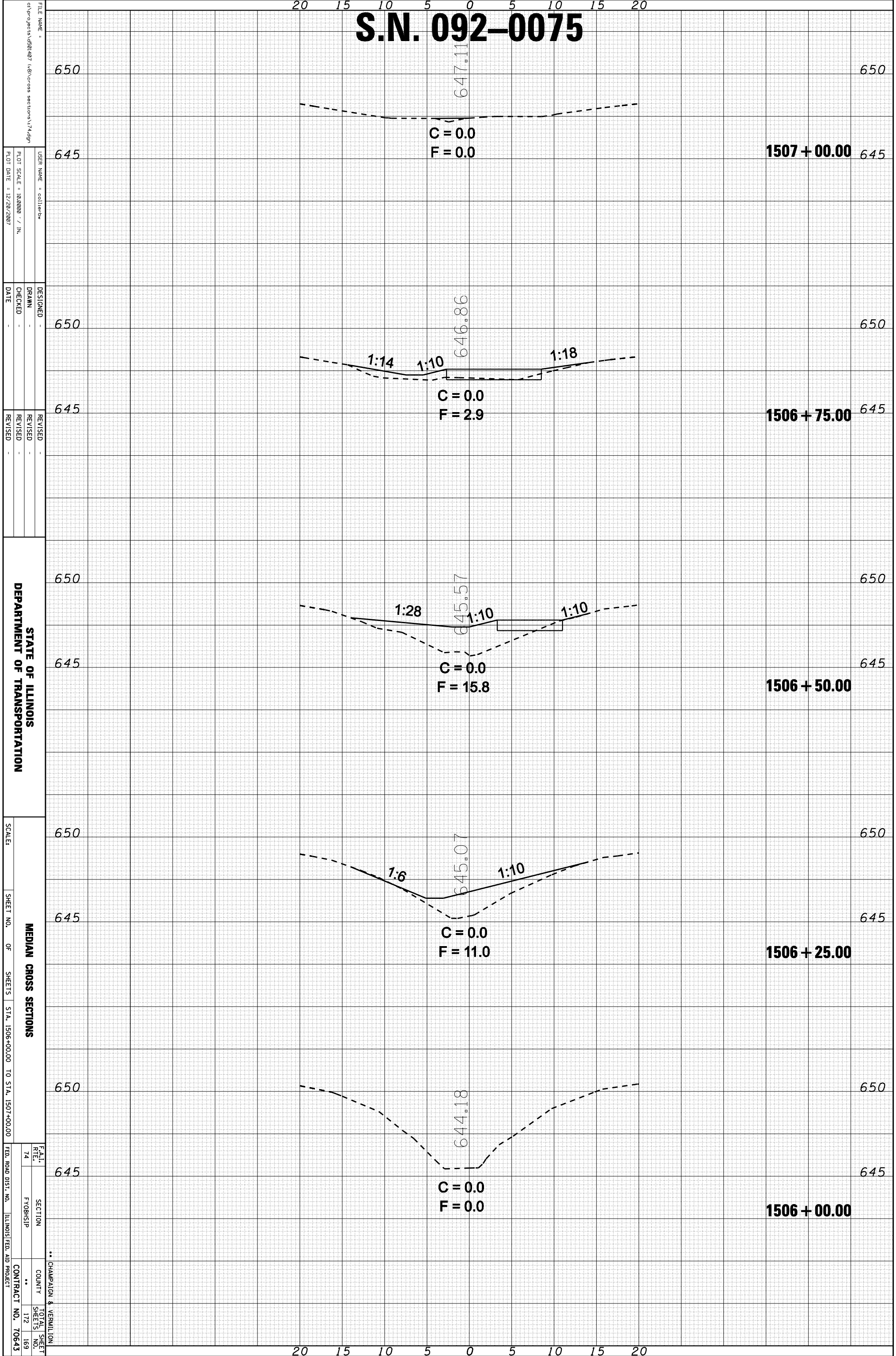
F.A.I. RT# 74
 SECTION FV08MS1P
 COUNTY **
 TOTAL SHEET NO. 172
 SHEETS 168
 CONTRACT NO. 70643
 CHAMPAIGN & VERMILION
 ILLINOIS FED. AID PROJECT



ORIGINAL SURVEY	SURVEYED	BY	DATE
NOTE BOOK	PLOTTED		
	TEMPLATE		
	AREAS		
	AREAS CHECKED		

FINAL SURVEY	SURVEYED	BY	DATE
NOTE BOOK	PLOTTED		
	TEMPLATE		
	AREAS		
	AREAS CHECKED		

S.N. 092-0075



FILE NAME = c:\p\projects\15061407 (A)\Cross sections\174.dgn
 USER NAME = collier-ba
 DESIGNER -
 DRAWN -
 CHECKED -
 DATE -
 REVISED -
 REVISED -
 REVISED -
 REVISED -
 PLOT SCALE = 1:62500 / IN.
 PLOT DATE = 12/28/2007

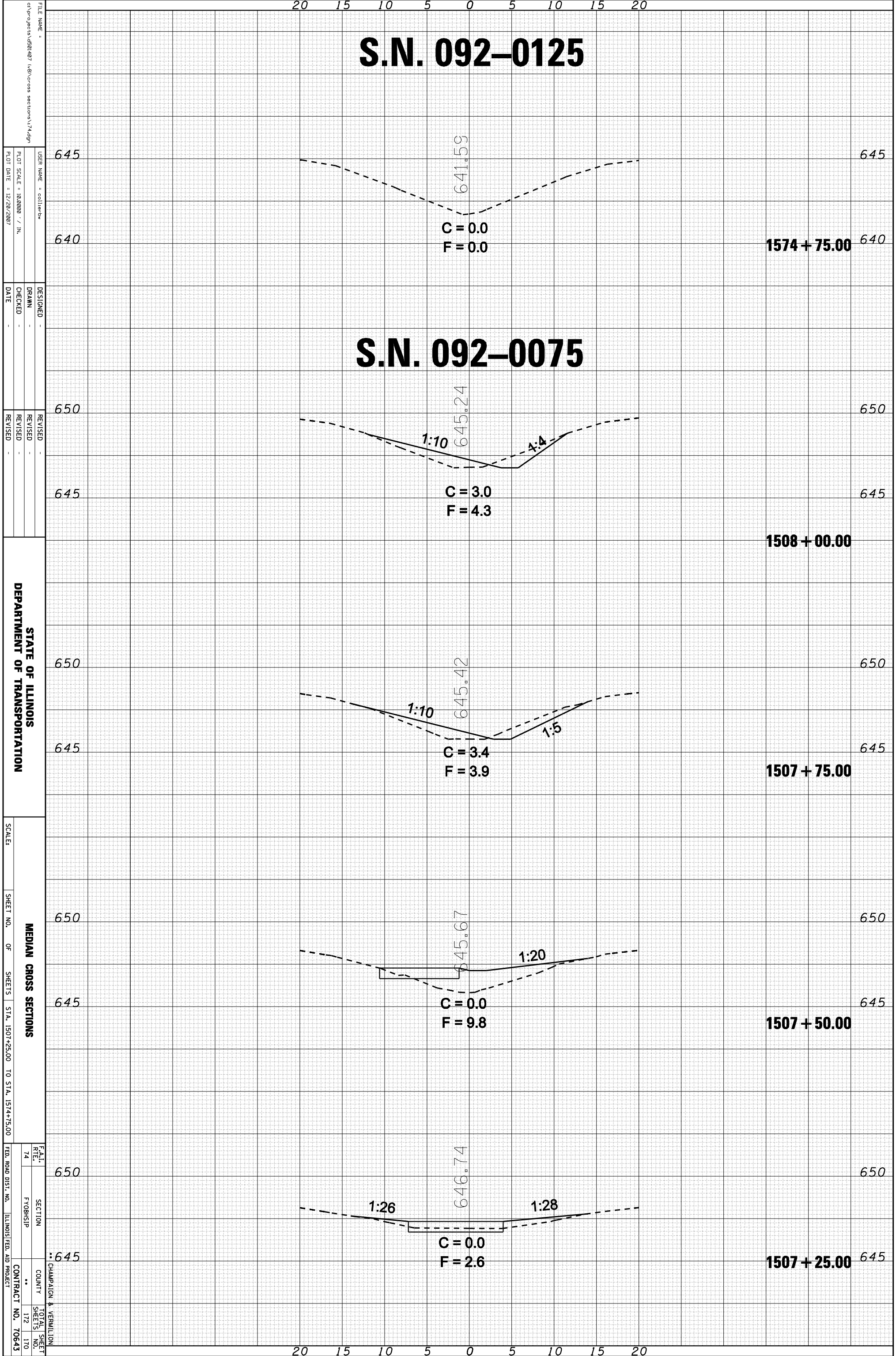
STATE OF ILLINOIS
DEPARTMENT OF TRANSPORTATION

SCALE:
 SHEET NO. OF SHEETS
MEDIAN CROSS SECTIONS
 STA. 1506+00.00 TO STA. 1507+00.00

F.A.I. RT# 74
 SECTION FY08MSIP
 COUNTY **
 CHAMPAIGN & VERMILION
 TOTAL SHEET NO. 172
 SHEET NO. 169
 CONTRACT NO. 70643
 ILLINOIS FED. AID PROJECT

ORIGINAL SURVEY	SURVEYED	BY	DATE
NOTE BOOK	PLOTTED		
	TEMPLATE		
	AREAS		
	AREAS CHECKED		

FINAL SURVEY	SURVEYED	BY	DATE
NOTE BOOK	PLOTTED		
	TEMPLATE		
	AREAS		
	AREAS CHECKED		



FILE NAME = c:\projects\9501407 (A)\cross sections\74.dgn
 USER NAME = collier-ba
 PLOT SCALE = 1/8"=1'-0"
 PLOT DATE = 12/20/2007

DESIGNED -
 DRAWN -
 CHECKED -
 DATE -

REVISOR -
 REVISION -
 DATE -

STATE OF ILLINOIS
 DEPARTMENT OF TRANSPORTATION

SCALE:
 SHEET NO. OF SHEETS STA. 1507+25.00 TO STA. 1514+75.00

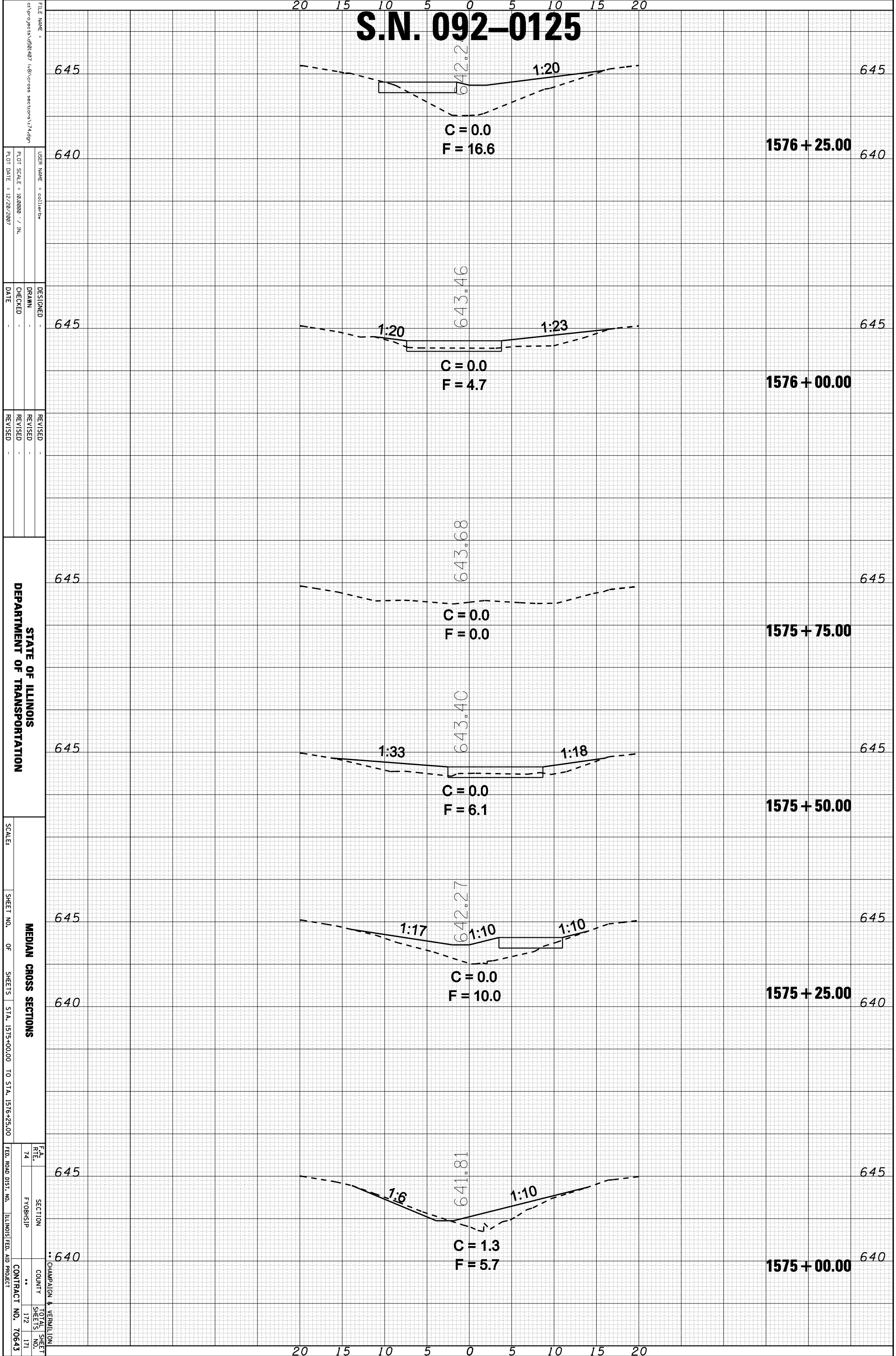
MEDIAN CROSS SECTIONS

F.A.I. RT# 74 SECTION COUNTY TOTAL SHEET NO. 172 170
 F.Y.O.B.S.I.P. CONTRACT NO. 70643
 CHAMPAIGN & VERMILION
 ILLINOIS FED. AID PROJECT

ORIGINAL SURVEY	SURVEYED	BY	DATE
NOTE BOOK	PLOTTED		
	TEMPLATE		
	AREAS		
	AREAS CHECKED		

FINAL SURVEY	SURVEYED	BY	DATE
NOTE BOOK	PLOTTED		
	TEMPLATE		
	AREAS		
	AREAS CHECKED		

S.N. 092-0125



FILE NAME:
 USER NAME:
 DESIGNER:
 DRAWN:
 CHECKED:
 DATE:
 REVISIONS:
 REVISION 1:
 REVISION 2:
 REVISION 3:

STATE OF ILLINOIS
 DEPARTMENT OF TRANSPORTATION

SCALE:
 SHEET NO. OF SHEETS:
 STA. 1575+00.00 TO STA. 1576+25.00

MEDIAN CROSS SECTIONS

SECTION	COUNTY	TOTAL SHEET NO.
SECTION	COUNTY	NO.
SECTION	COUNTY	NO.

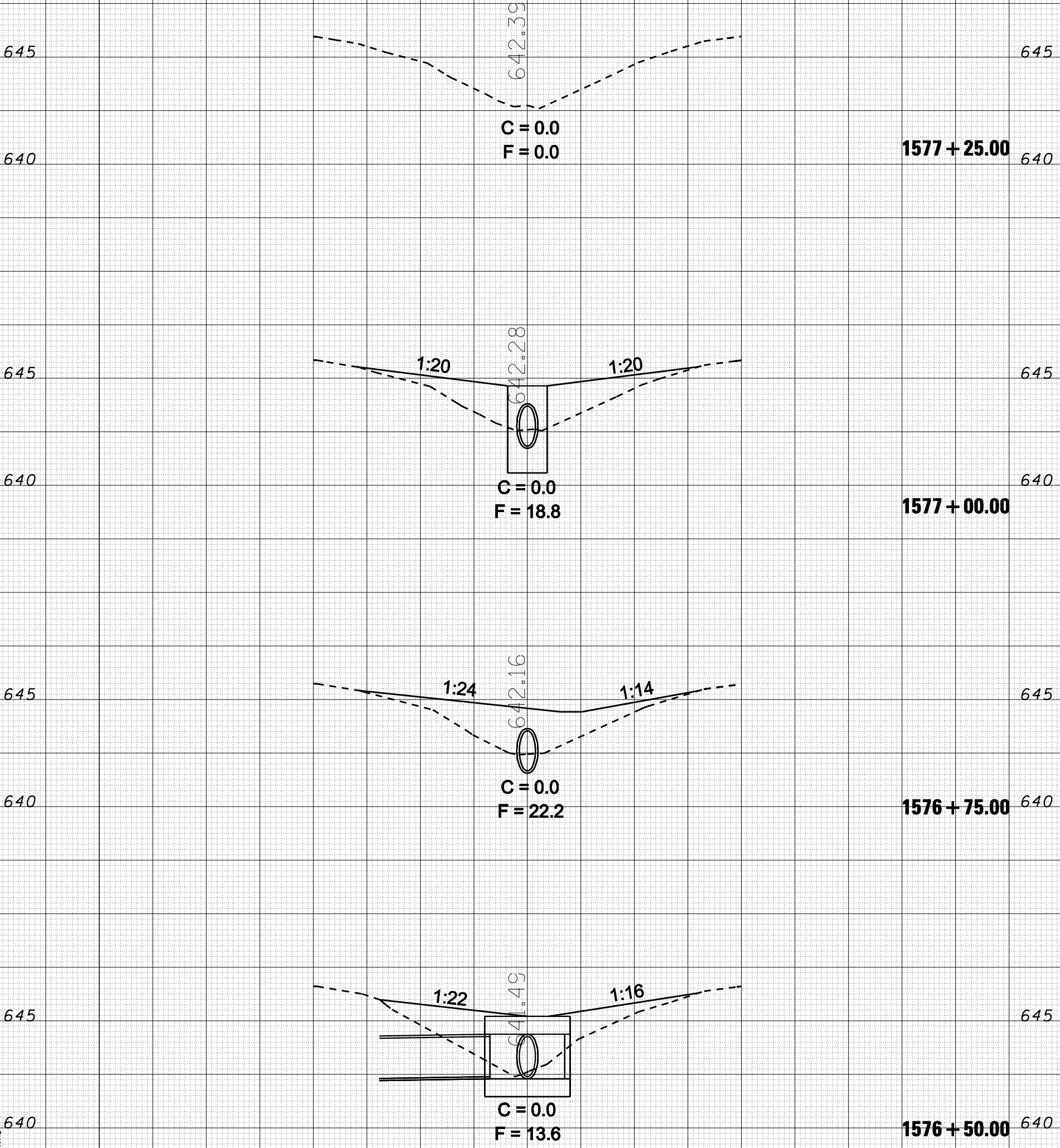
CONTRACT NO. 70643

ORIGINAL SURVEY	SURVEYED	BY	DATE
NOTE BOOK	PLOTTED		
	TEMPLATE		
	AREAS		
	AREAS CHECKED		

FINAL SURVEY	SURVEYED	BY	DATE
NOTE BOOK	PLOTTED		
	TEMPLATE		
	AREAS		
	AREAS CHECKED		

S.N. 092-0125

FILE NAME =
 USER NAME = cotier-ba
 DESIGNER =
 DRAWN =
 CHECKED =
 DATE =
 REVISED =
 REVISED =
 REVISED =
 REVISED =
 DEPARTMENT OF TRANSPORTATION
 SCALE:
 SHEET NO. OF SHEETS STA. 1576+50.00 TO STA. 1577+25.00
 MEDIAN CROSS SECTIONS
 CHAMPAIGN & VERMILION
 COUNTY ILLINOIS FED. AID PROJECT
 CONTRACT NO. 70643



20 15 10 5 0 5 10 15 20

20 15 10 5 0 5 10 15 20