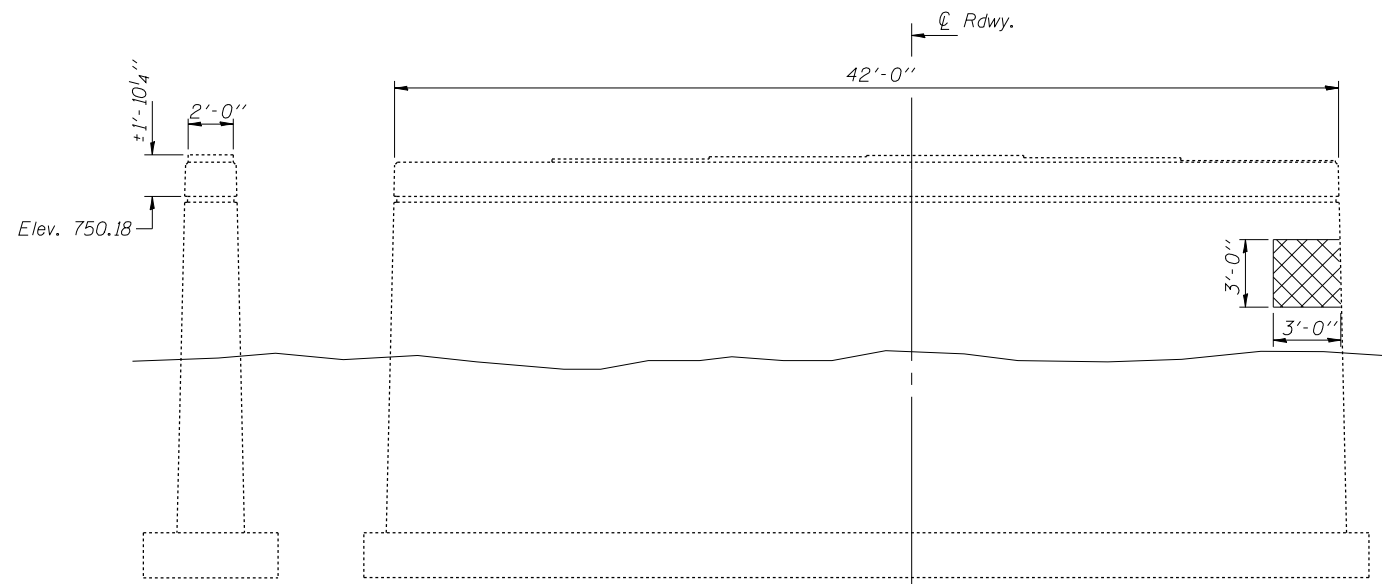


STATE OF ILLINOIS
DEPARTMENT OF TRANSPORTATION

ROUTE NO.	SECTION	COUNTY	TOTAL SHEETS	SHEET NO.
FAI 74	(57-22) BR-3	McLEAN	42	30
FED. ROAD DIST. NO. 7	ILLINOIS	FED. AID PROJECT		

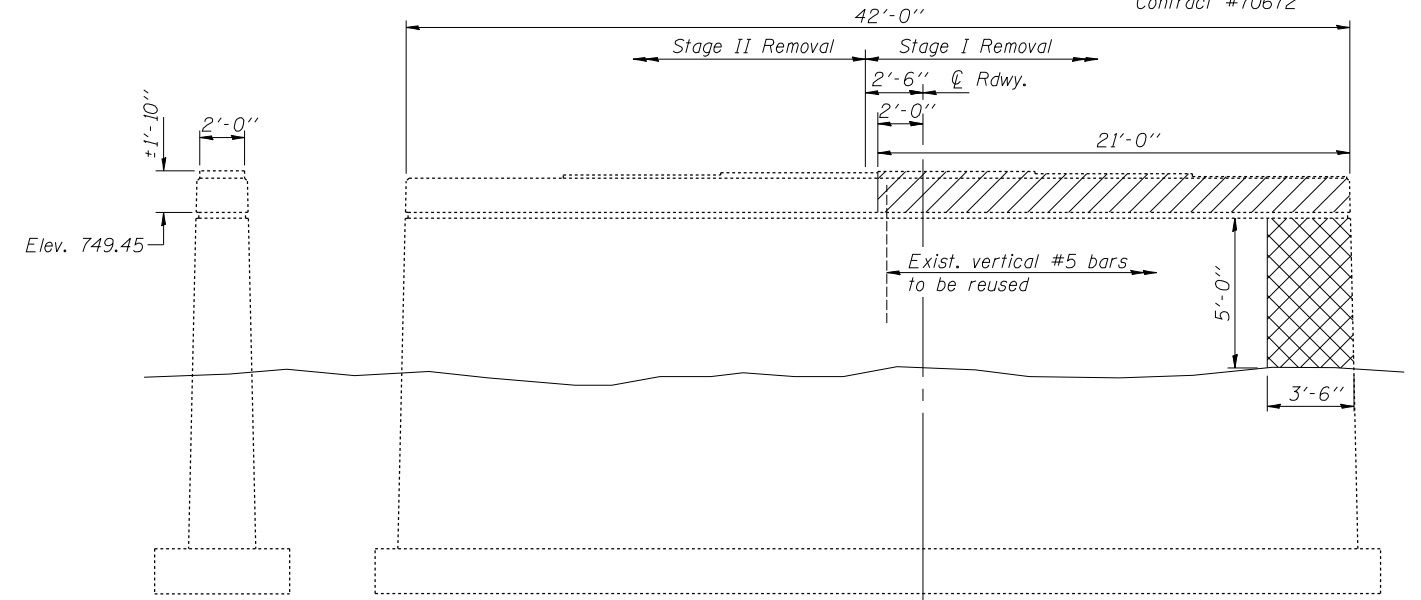
SHEET NO. 19
24 SHEETS

Contract #70672



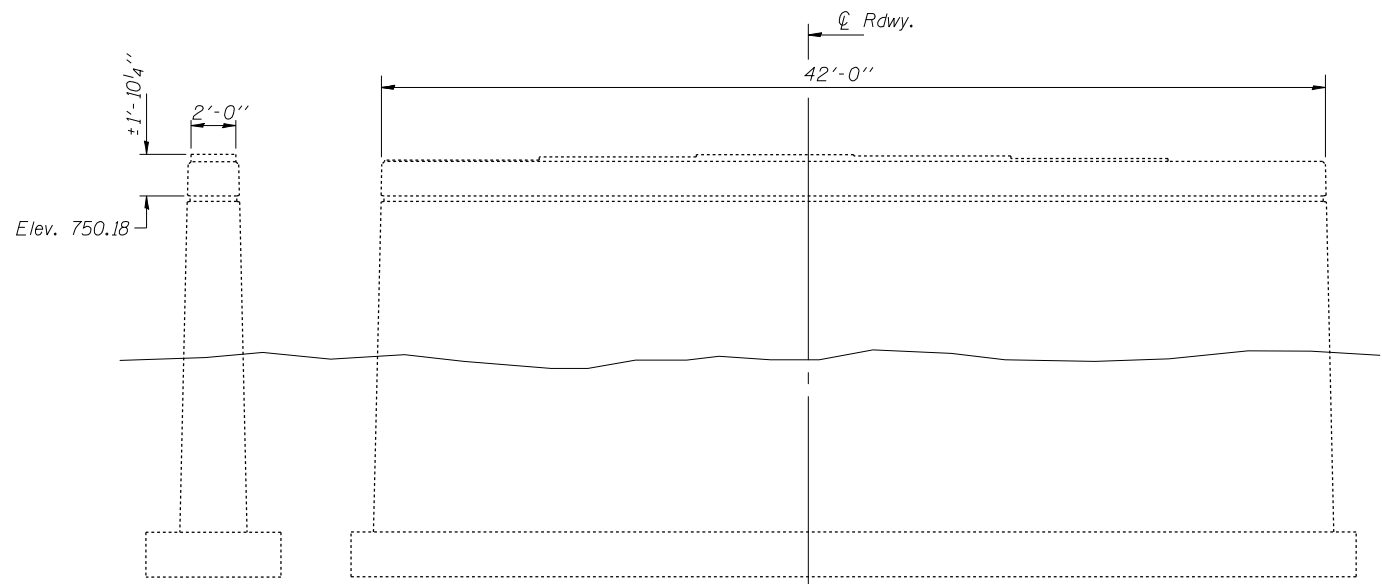
END VIEW

ELEVATION - PIER 1
(East face)



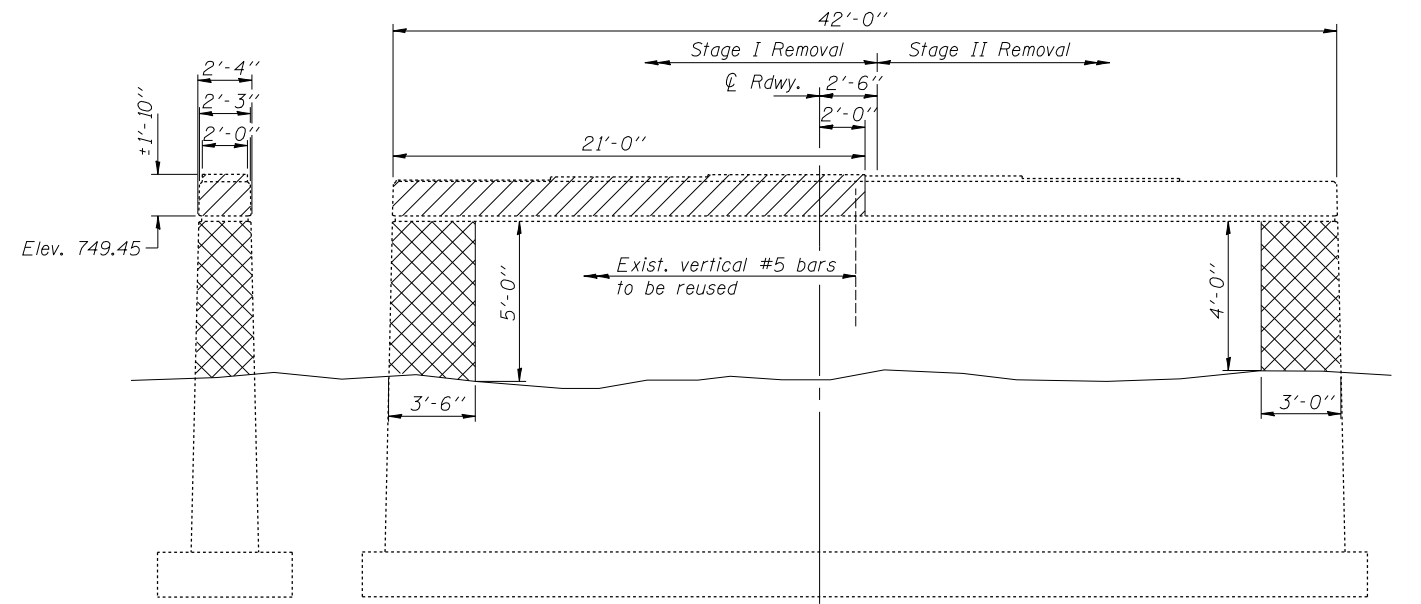
END VIEW

ELEVATION - PIER 2
(East face)



END VIEW

ELEVATION - PIER 1
(West face)



END VIEW

ELEVATION - PIER 2
(West face)

Notes: Hatched areas indicate Concrete Removal.
Cross-hatched areas indicate Structural Repair of Concrete (Depth ≤ 5")
Existing reinforcement bars extending into areas of new construction of Pier 2 shall be cleaned, straightened and incorporated into the new construction.
The existing anchor bolts at Pier 1 and at Beams 4 thru 6 at Pier 2 shall be cut off, ground flush and sealed with epoxy. Cost included with Concrete Removal.

BILL OF MATERIAL

Item	Unit	Total
Concrete Removal	Cu. Yd.	2.9
Structural Repair of Concrete (Depth ≤ 5")	Sq. Ft.	56

DESIGNED	DPN
CHECKED	SMR
DRAWN	h.t. duong
CHECKED	DPN/SMR

Jan. 31, 2008
EXAMINED *Thomas J. Domagalick*
ENGINEER OF BRIDGE DESIGN
PASSED *Ralph E. Anderson*
ENGINEER OF BRIDGES AND STRUCTURES

CONCRETE REMOVAL & REPAIRS-PIERS
F.A.I. RT. 74 - SEC. (57-22)BR-3
McLEAN COUNTY
STATION 1039+00
STRUCTURE NO. 057-0125 (E.B.)