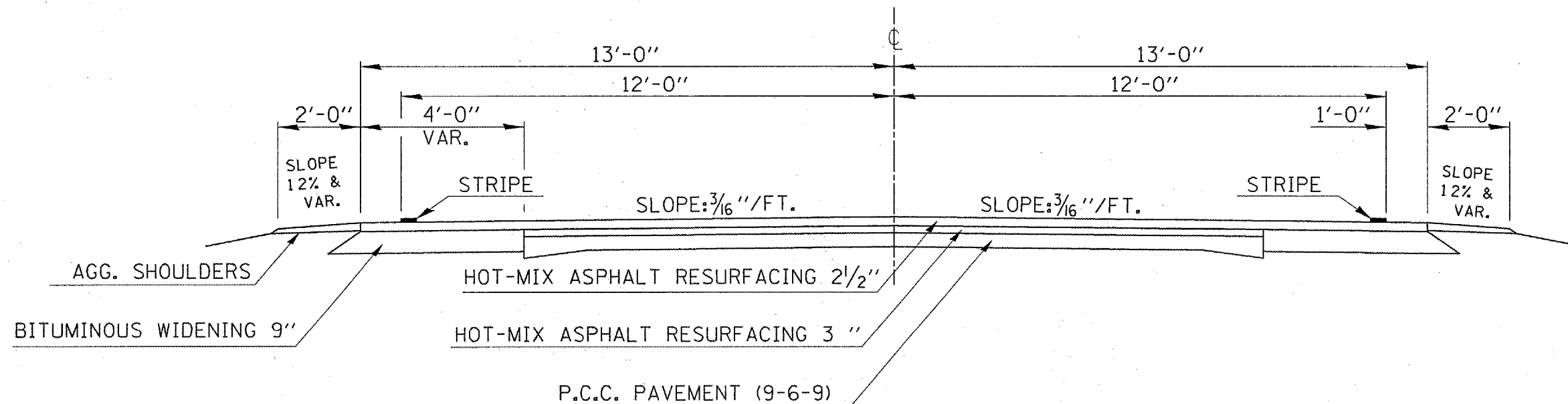


CONTRACT NO. 70673				
F.A.S. RTE.	SECTION	COUNTY	TOTAL SHEETS	SHEET NO.
1517	08PPP	DEWITT	11	6

EXISTING ROADWAY CROSS SECTION

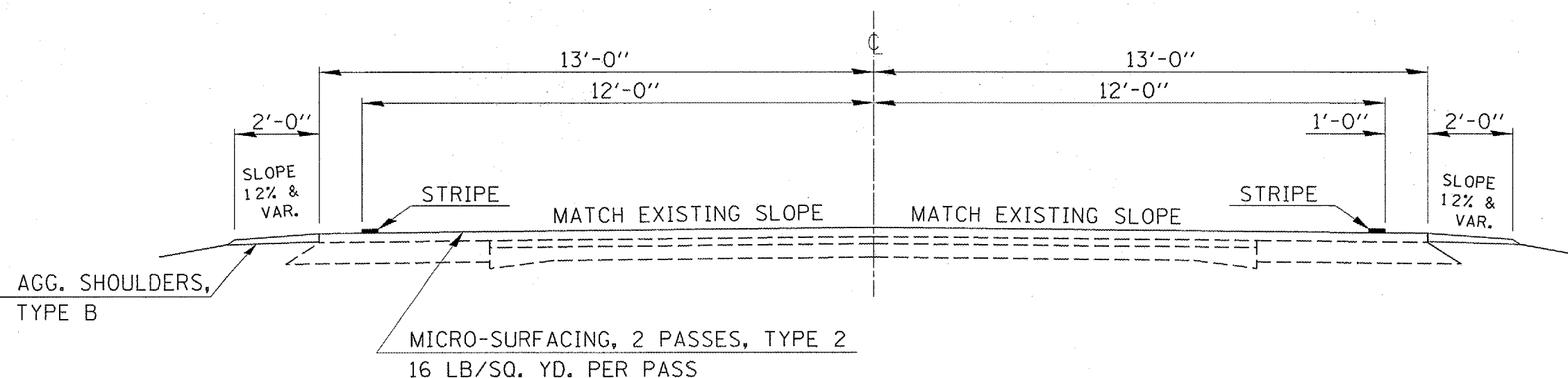
STA. 0+00.00 to STA. 264+36.50



PROPOSED ROADWAY CROSS SECTION

STA. 0+00.00 to STA. 264+36.50

OMISSIONS: STA. 55+50 TO STA. 62+54 (S.N. 020-0058)
STA. 124+61 TO STA. 124+70 (I.C.R.R.)



ILLINOIS DEPARTMENT OF TRANSPORTATION

TYPICAL CROSS-SECTIONS

F.A.S. 1517 (U.S. 150)
SECTION 08PPP
CHAMPAIGN COUNTY

SCALE: N/A
DATE: 08/28/07

DRAWN BY: RC
CHECKED BY: MAL