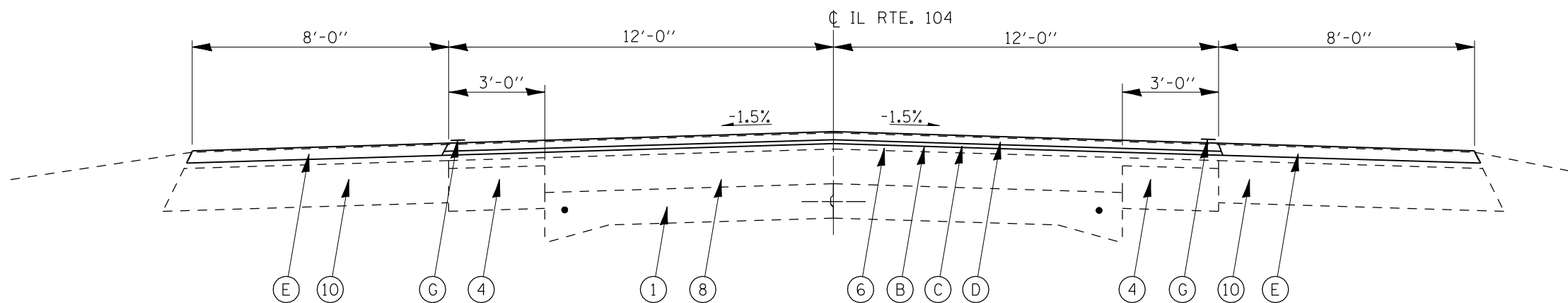
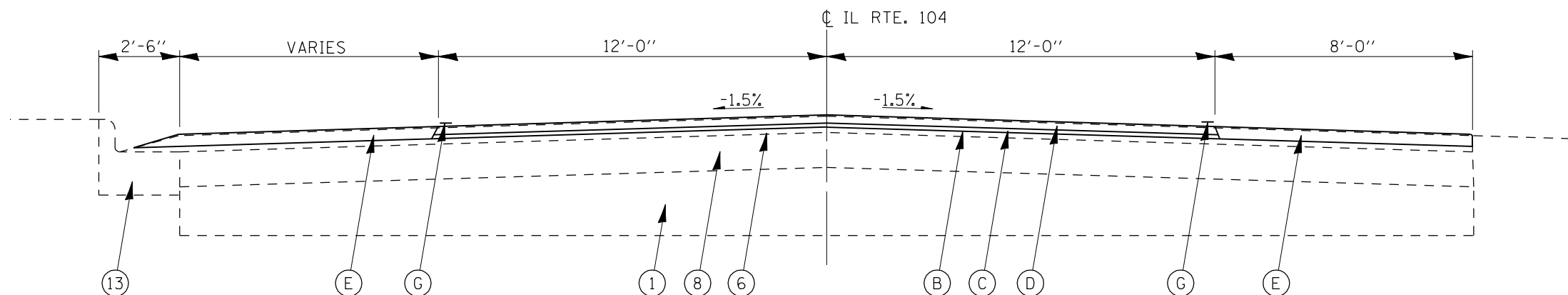


F.A.P. RTE.	SECTION	COUNTY	TOTAL SHEETS	SHEET NO.
753	143 RS-6	CHRISTIAN	127	8
STA.		TO STA.		
FED. ROAD DIST. NO.		ILLINOIS	FED. AID PROJECT	



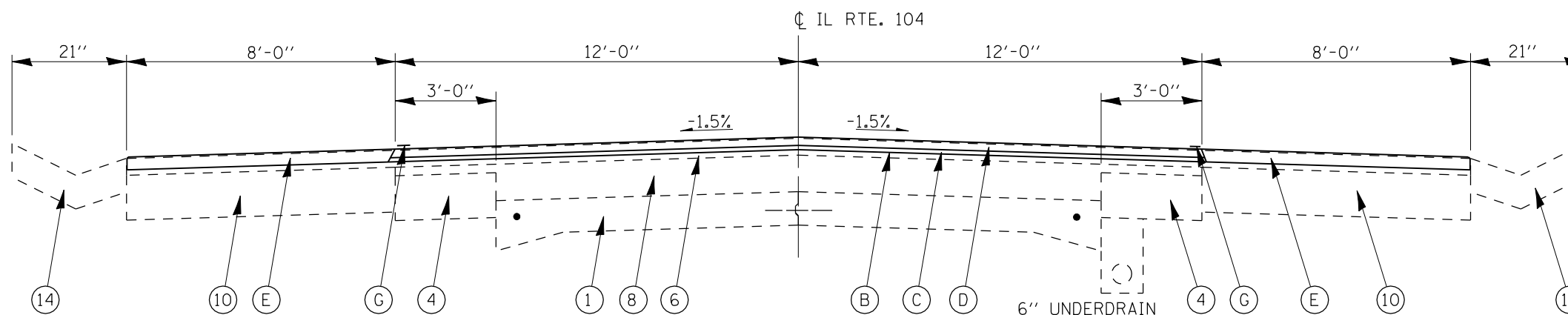
TYPICAL #3

STA 96+50 TO STA 125+39
 STA 135+00 LT TO STA 138+64 LT STA 135+00 RT TO STA 138+00 RT
 STA 142+18 LT TO STA 164+54 LT STA 143+33 RT TO STA 164+54 RT



TYPICAL #4

STA 125+39 TO STA 130+37



TYPICAL #5

STA 130+37 TO STA 135+00
 STA 138+64 LT TO STA 142+18 LT STA 138+00 RT TO STA 143+33 RT

LEGEND

- ① EXISTING PCC PAV'T (9-6-9)
- ② EXISTING PCC OR BRICK PAV'T
- ③ EXISTING PCC PAV'T - 22' WIDTH
- ④ EXISTING PCC WIDENING, 8"
- ⑤ EXISTING BIT BASE CSE. WIDENING (9")
- ⑥ EXISTING BIT SURF. CSE. MIX D, CLASS I, TYPE 2, (1 1/2")
- ⑦ EXISTING BIT SURFACE W/ WATERPROOFING MEMBRANE SYSTEM (2 1/2")
- ⑧ EXISTING BIT SURF. CSE. & BINDER (± 6 1/2")
- ⑨ EXISTING BIT SHOULDER, STD. 2239 - (4 1/2")
- ⑩ EXISTING BITUMINOUS SHOULDER, 8"
- ⑪ EXISTING AGGREGATE SHOULDER, TYPE B
- ⑫ EXISTING AGGREGATE SHOULDER, TYPE A, (6" - 8")
- ⑬ EXISTING CONC. COMB. C & G, TYPE B - 6.24
- ⑭ EXISTING P.C.C. GUTTER
- ⑮ EXISTING P.C.C. SIDEWALK, 4"

- (A) PROPOSED HOT-MIX ASPHALT SURFACE REMOVAL, (V.D.) (1/2" @ C)
- (B) PROPOSED HOT-MIX ASPHALT SURFACE REMOVAL, 2"
- (C) PROPOSED LEVELING BINDER (MACHINE METHOD) N50, 3/4"
- (D) PROPOSED HOT-MIX ASPHALT SURFACE COURSE CLASS "D", N50, 1 1/2"
- (E) PROPOSED HOT-MIX ASPHALT SHOULDERS
- (F) PROPOSED AGGREGATE SHOULDERS, TYPE B
- (G) PROPOSED PAVEMENT MARKING - LINE 5"
- (H) EARTH EXCAVATION (WIDENING)
- (I) HOT-MIX ASPHALT SHOULDERS, 6"