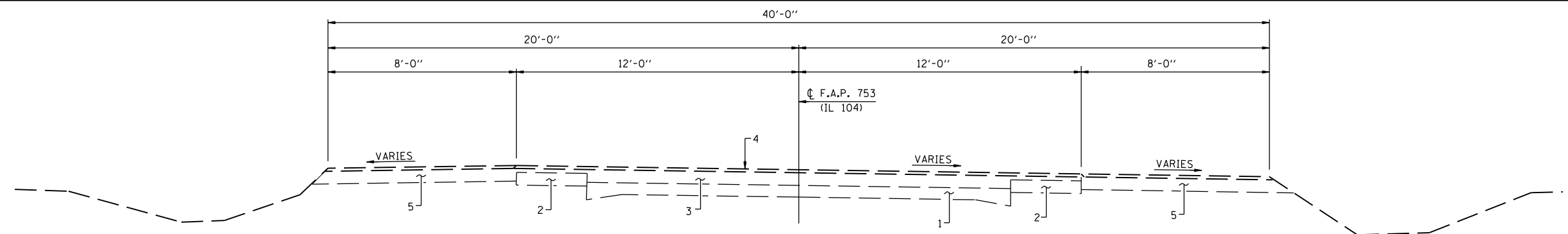
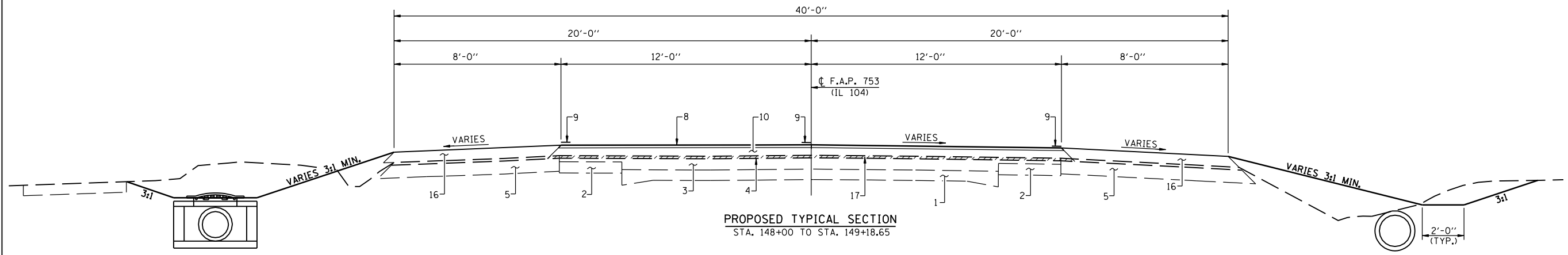


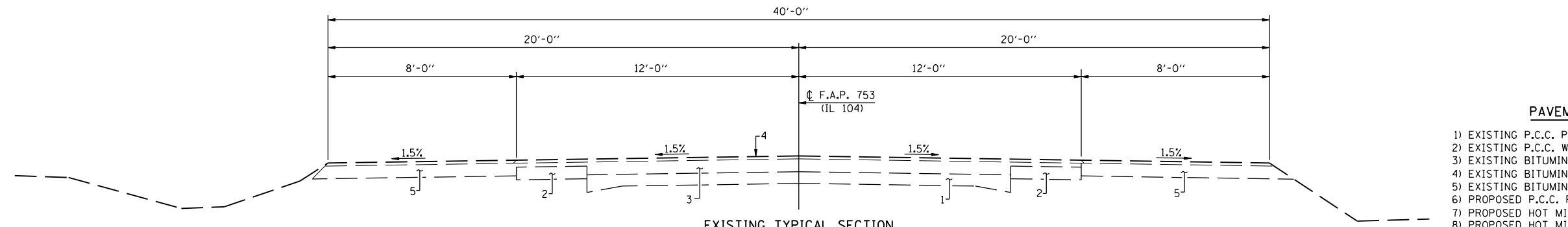
F.A.P. RTE.	SECTION	COUNTY	TOTAL SHEETS	SHEET NO.
753	143RS-6	CHRISTIAN	127	73
STA. 144+50 TO STA. 151+50				
FED. ROAD DIST. NO. ILLINOIS FED. AID PROJECT				
SHEET 3 OF 26				



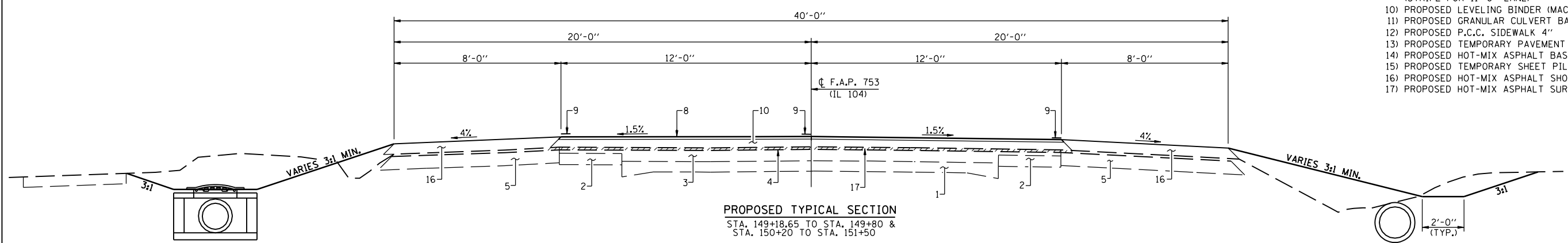
EXISTING TYPICAL SECTION
STA. 148+00 TO STA. 149+18.65



PROPOSED TYPICAL SECTION
STA. 148+00 TO STA. 149+18.65



EXISTING TYPICAL SECTION
STA. 149+18.65 TO STA. 151+50



PROPOSED TYPICAL SECTION
STA. 149+18.65 TO STA. 149+80 &
STA. 150+20 TO STA. 151+50

PAVEMENT LEGEND

- 1) EXISTING P.C.C. PAVEMENT (9"-6"-9")
- 2) EXISTING P.C.C. WIDENING (8")
- 3) EXISTING BITUMINOUS SURFACE COURSE AND BINDER (+6/2")
- 4) EXISTING BITUMINOUS SURFACE COURSE (1 1/2")
- 5) EXISTING BITUMINOUS SHOULDER (8")
- 6) PROPOSED P.C.C. PAVEMENT (8")
- 7) PROPOSED HOT MIX ASPHALT SHOULDER (8")
- 8) PROPOSED HOT MIX ASPHALT SURFACE COURSE (1 1/2")
- 9) PROPOSED PAINT PAVEMENT MARKING - 5" LINE (STRIPE FOR 11'-0" LANE)
- 10) PROPOSED LEVELING BINDER (MACHINE METHOD), N50 (MIN. 3/4")
- 11) PROPOSED GRANULAR CULVERT BACKFILL
- 12) PROPOSED P.C.C. SIDEWALK 4"
- 13) PROPOSED TEMPORARY PAVEMENT MARKING - LINE 5"
- 14) PROPOSED HOT-MIX ASPHALT BASE COURSE WIDENING 8"
- 15) PROPOSED TEMPORARY SHEET PILING
- 16) PROPOSED HOT-MIX ASPHALT SHOULDERS (2 1/4" MIN)
- 17) PROPOSED HOT-MIX ASPHALT SURFACE REMOVAL, VARIABLE DEPTH

DETAILS AND TYPICAL
ROADWAY SECTIONS
ILL. ROUTE 104 OVER TRIBUTARY
TO SOUTH FORK SANGAMON RIVER
F.A.P. ROUTE 753 - SECTION 143RS-6
CHRISTIAN COUNTY
STA. 150+00
S.N. 011-7056

FILE NAME: D&TRS (REV. 6/25/07)