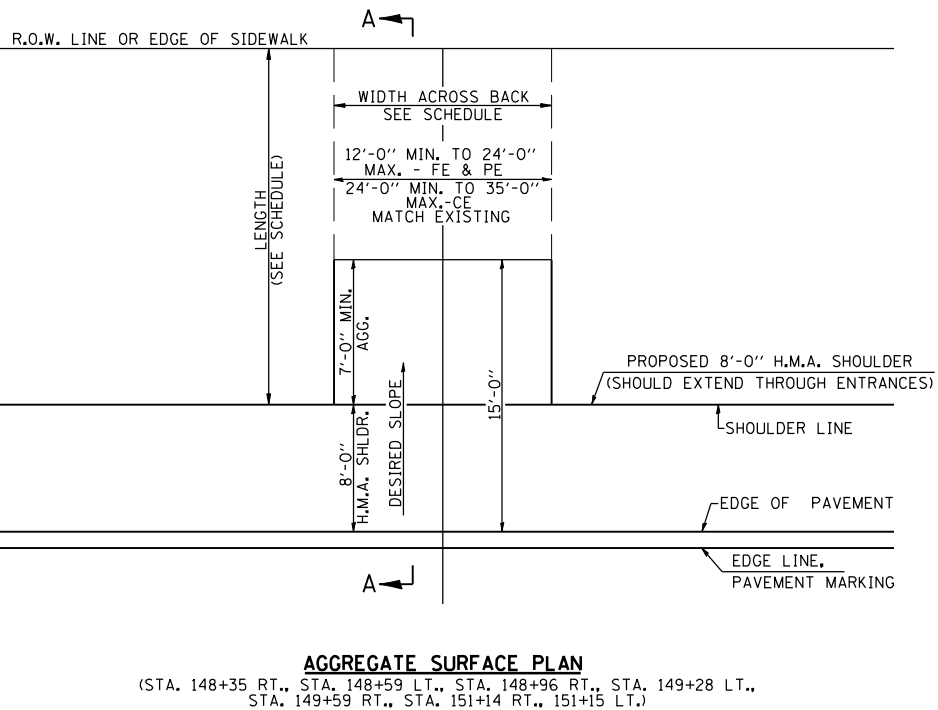
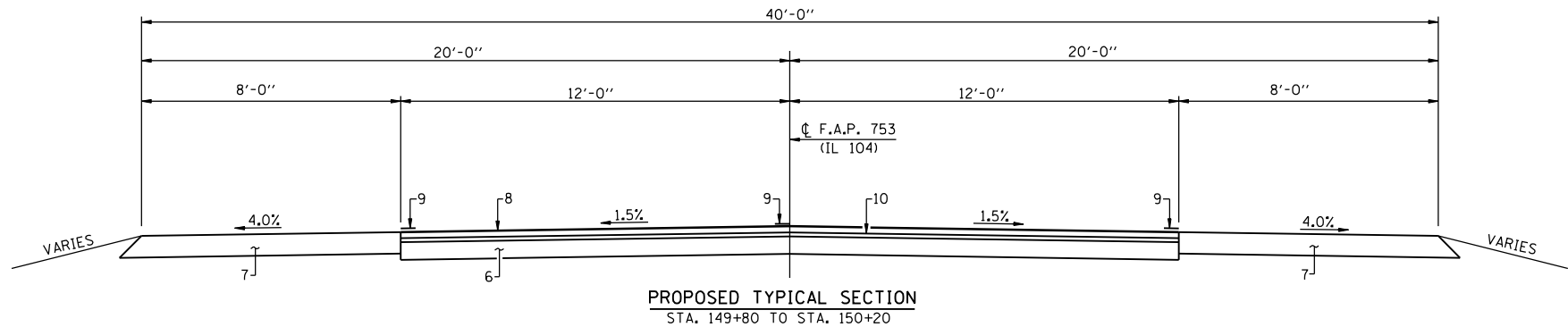
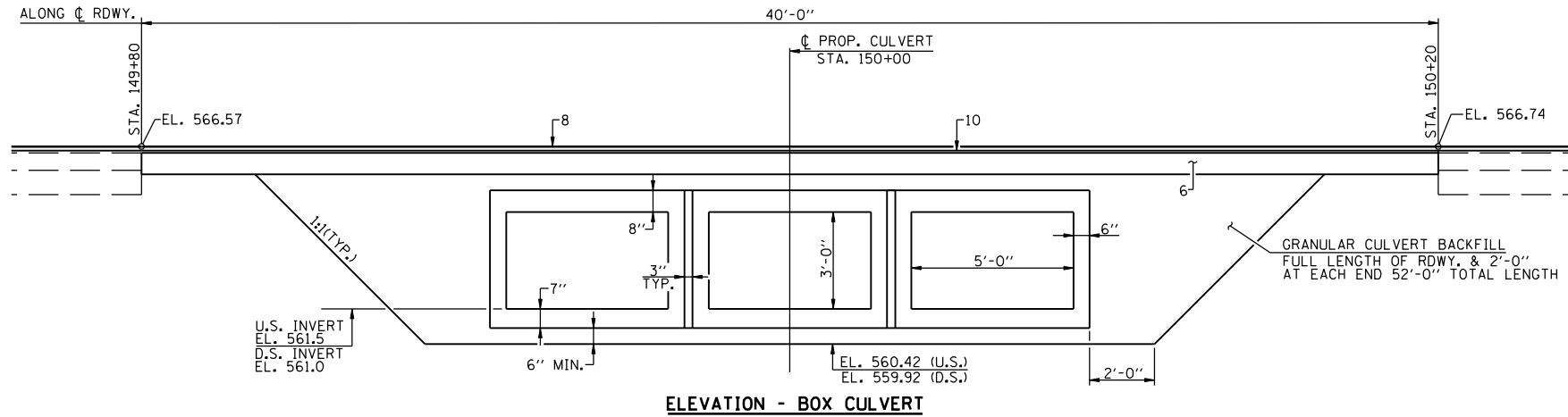
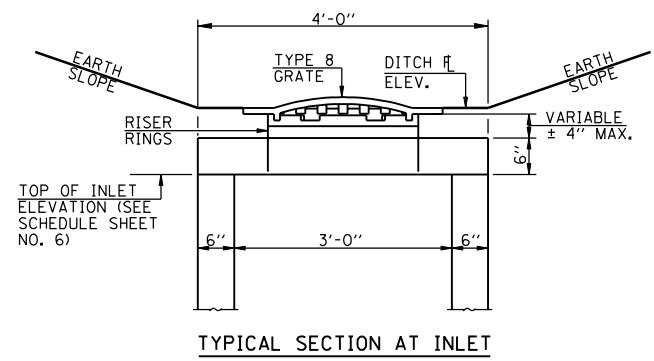
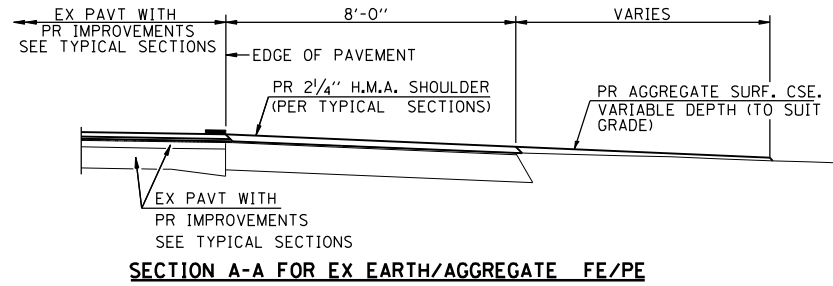
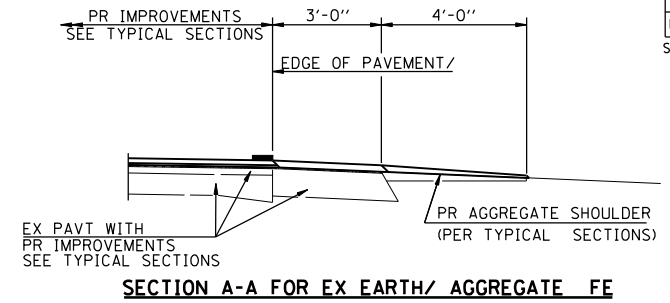
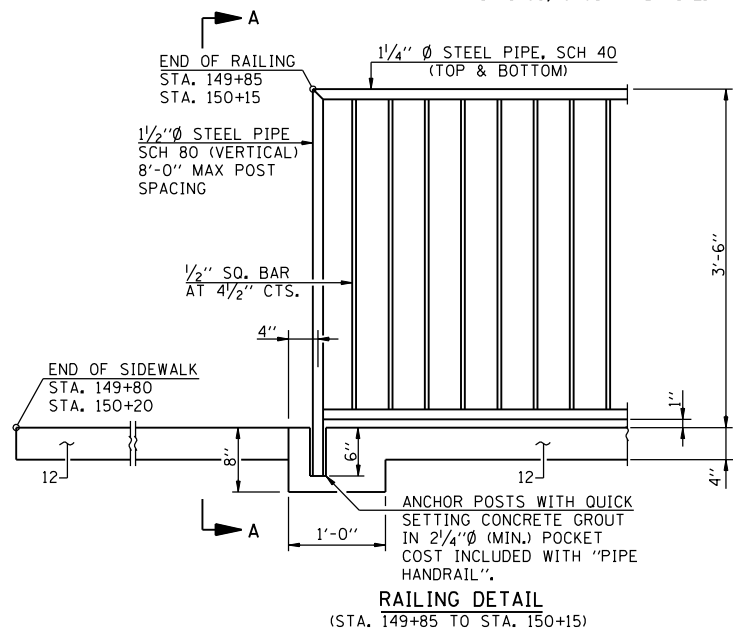


F.A.P. RTE.	SECTION	COUNTY	TOTAL SHEETS	SHEET NO.
753	143RS-6	CHRISTIAN	127	74
STA. 148+50 TO STA. 151+50				
FED. ROAD DIST. NO. ILLINOIS FED. AID PROJECT				
SHEET 4 OF 26				



NOTE: THE PIPE HANDRAIL SHALL BE PAINTED IN ACCORDANCE WITH SECTION 506 OF THE STANDARD SPECIFICATIONS. THE FINISH COAT SHALL MATCH MUNSELL GLOSSY COLOR 5Y 8/4 YELLOW. THE UNIT COST PER LINEAL FOOT FOR PIPE HANDRAIL SHALL INCLUDE FURNISHING AND INSTALLING THE POSTS, SLEEVES, FITTINGS, GROUT AND PIPE.



- PAVEMENT LEGEND**
- EXISTING P.C.C. PAVEMENT (9'-6"-9')
  - EXISTING P.C.C. WIDENING (8')
  - EXISTING BITUMINOUS SURFACE COURSE AND BINDER (±1/2")
  - EXISTING BITUMINOUS SURFACE COURSE (1/2")
  - EXISTING BITUMINOUS SHOULDER (8')
  - PROPOSED P.C.C. PAVEMENT (8')
  - PROPOSED HOT MIX ASPHALT SHOULDER (8')
  - PROPOSED HOT MIX ASPHALT SURFACE COURSE (1/2")
  - PROPOSED PAINT PAVEMENT MARKING - 5" LINE (STRIPE FOR 11'-0" LANE)
  - PROPOSED LEVELING BINDER (MACHINE METHOD), N50 (MIN. 3/4")
  - PROPOSED GRANULAR CULVERT BACKFILL
  - PROPOSED P.C.C. SIDEWALK 4"
  - PROPOSED TEMPORARY PAVEMENT MARKING - LINE 5"
  - PROPOSED HOT-MIX ASPHALT BASE COURSE WIDENING 8"
  - PROPOSED TEMPORARY SHEET PILING
  - PROPOSED HOT-MIX ASPHALT SHOULDERS (2 1/4" MIN)
  - PROPOSED HOT MIX ASPHALT SURFACE REMOVAL, VARIABLE DEPTH

**DETAILS AND TYPICAL ROADWAY SECTIONS**  
ILL. ROUTE 104 OVER TRIBUTARY TO SOUTH FORK SANGAMON RIVER  
F.A.P. ROUTE 753 - SECTION 143RS-6  
CHRISTIAN COUNTY  
STA. 150+00  
S.N. 011-7056

FILE NAME: D&TRS (REV. 6/25/07)