

When "A" is 3'-6" or less, the temporary concrete barrier shall be anchored to the new slab according to Detail I or Detail II. No anchorage is required when "A" is greater than 3'-6".

NOTES

Detail I - With Bar Splicer or Couplers:

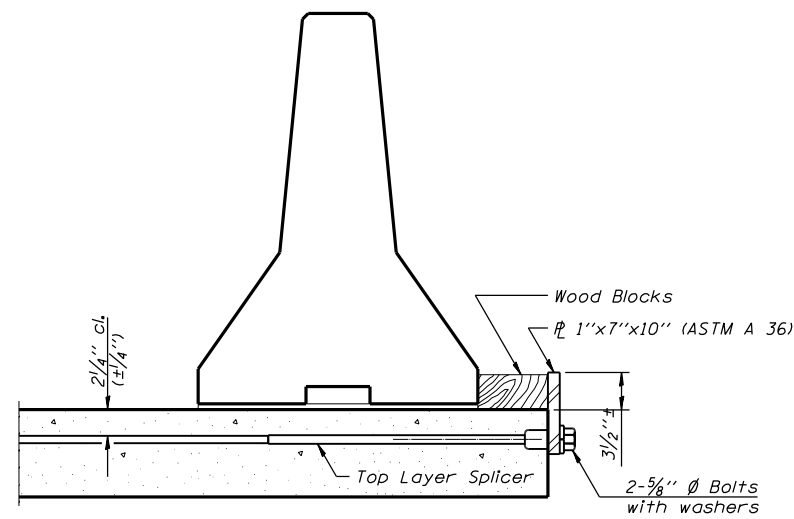
Connect one (1) 1"x7"x10" steel plate to the top layer of couplers with 2-5/8" Ø bolts screwed to coupler at approximate center of each barrier panel.

Detail II - With Extended Reinforcement Bars:

Connect one (1) 1"x7"x10" steel plate to the concrete slab with 2-5/8" Ø Expansion Anchors or cast in place inserts spaced between the top layer of reinforcement at approximate center of each barrier panel.

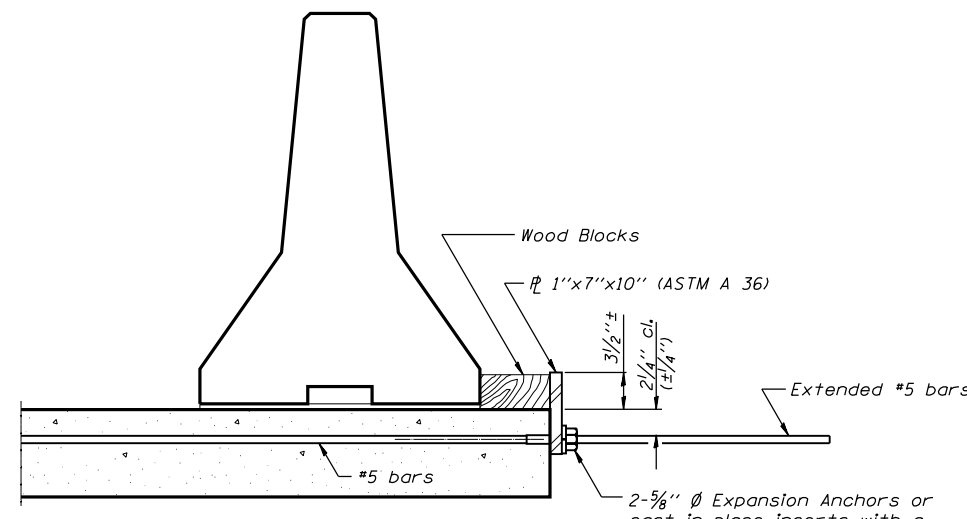
Cost of anchorage is included with Temporary Concrete Barrier.

SECTIONS THRU SLAB



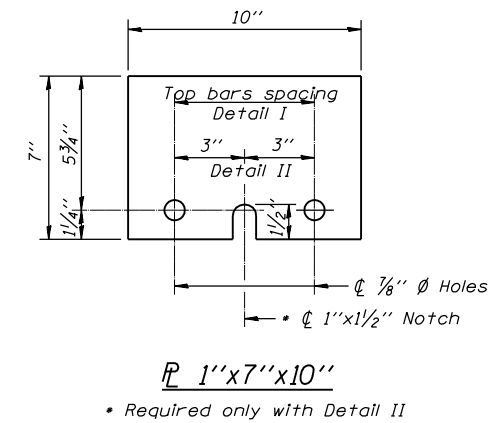
DETAIL I

The 1"x7"x10" Plate shall not be removed until Stage II Construction forms and reinforcement bars are in place.



DETAIL II

The 1"x7"x10" Plate shall not be removed until Stage II Construction forms and all reinforcement bars are in place and the concrete is ready to be placed.



TEMPORARY CONCRETE BARRIER FOR STAGE CONSTRUCTION
IL ROUTE 104 OVER UNNAMED TRIBUTARY SOUTH FORK SANGAMON RIVER
F.A.P. ROUTE 753 - SECTION 143RS-6
CHRISTIAN COUNTY
STA. 150+00.00
S.N. 011-7056