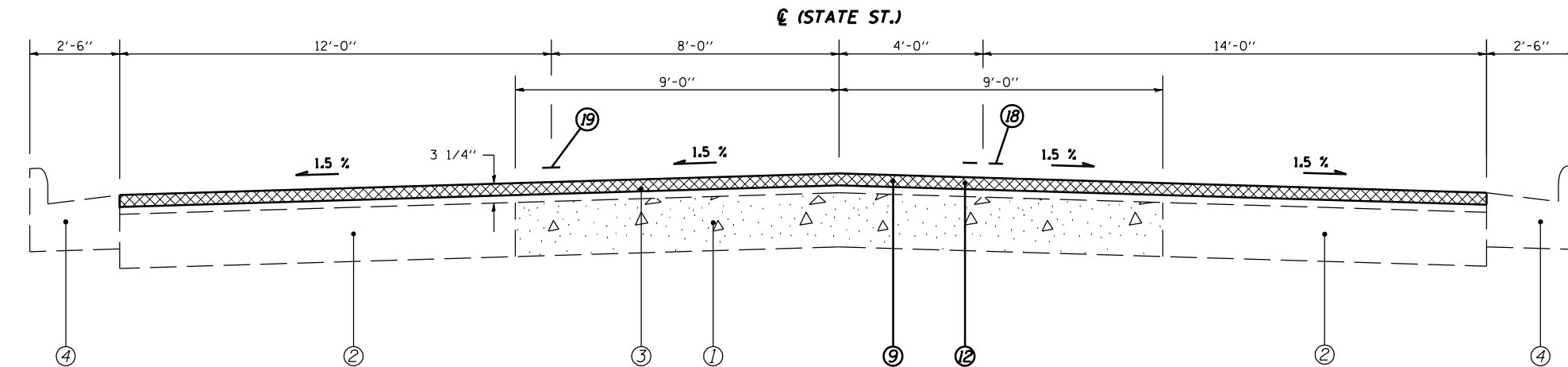
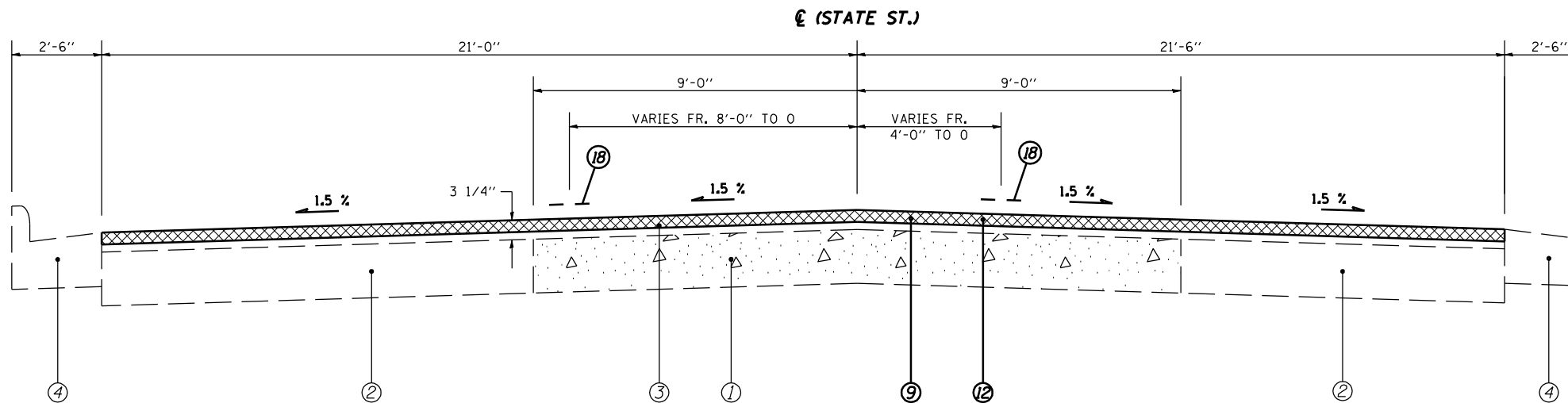


CONTRACT NO. 72943

F.A.U. RTE.	SECTION	COUNTY	TOTAL SHEETS	SHEET NO.
11	RS-8	ADAMS	64	5
STA. 10+21.00		TO STA. 14+50.00		
FED. ROAD DIST. NO.		ILLINOIS FED. AID PROJECT		
7810 & 7825 (IL 96)				



(1A) STA 10+21.00 TO STA 12+96.00 [275.0']



(2A) STA 12+96.00 TO STA 14+50.00 [154.0']

- LEGEND**
- ① EXIST. P.C.C. PAVEMENT 9"
 - ② EXIST. BITUMINOUS BASE COURSE WIDENING 9"
 - ③ EXIST. BITUMINOUS OVERLAY
 - ④ EXIST. COMBINATION CONCRETE CURB & GUTTER, TYPE B-6.24
 - ⑤ EXIST. CONCRETE GUTTER, TYPE A (MODIFIED)
 - ⑥ EXIST. P.C.C. CURB, TYPE 4
 - ⑦ EXIST. BITUMINOUS SHOULDERS, 8"
 - ⑧ EXIST. AGGREGATE SHOULDERS, TYPE B
 - ⑨ PROP. HOT-MIX ASPHALT SURFACE REMOVAL, 2"
 - ⑩ PROP. EARTH EXCAVATION (WIDENING)
 - ⑪ PROP. PORTLAND CEMENT CONCRETE BASE COURSE WIDENING 12"
 - ⑫ PROP. HOT-MIX ASPHALT CONCRETE SURFACE COURSE, MIX "D", N70 2"
 - ⑬ PROP. HOT-MIX ASPHALT SHOULDERS, 8"
 - ⑭ PROP. HOT-MIX ASPHALT SHOULDERS, 2"
 - ⑮ PROP. AGGREGATE SHOULDERS, TYPE B
 - ⑯ PROP. COMBINATION CONCRETE CURB & GUTTER, TYPE B-6.24 (SPECIAL)
 - ⑰ PROP. COMBINATION CONCRETE CURB & GUTTER, TYPE B-6.24
 - ⑱ PROP. THERMOPLASTIC PAVEMENT MARKING - LINE 5"
 - ⑲ PROP. PREFORMED PLASTIC PAVEMENT MARKING, TYPE B - LINE 6"
 - ⑳ PROP. GRADING AND SHAPING SHOULDERS

(NOT TO SCALE)

REVISIONS	
NAME	DATE

ILLINOIS DEPARTMENT OF TRANSPORTATION

TYPICAL SECTIONS

F.A.U. Route 7810 & 7825 (IL 96)
Section 11RS-8
ADAMS COUNTY

SCALE: VERT. _____
HORIZ. _____
DATE: FEBRUARY 6, 2007

DRAWN BY: JWC
CHECKED BY: RSC

PLOT DATE = Nov-02-2007 08:14:25PM
 FILE NAME = c:\projects\650605\shittypicals.dgn
 PLOT SCALE = 1/8"=1'-0" / IN.
 USER NAME = laughlin-1