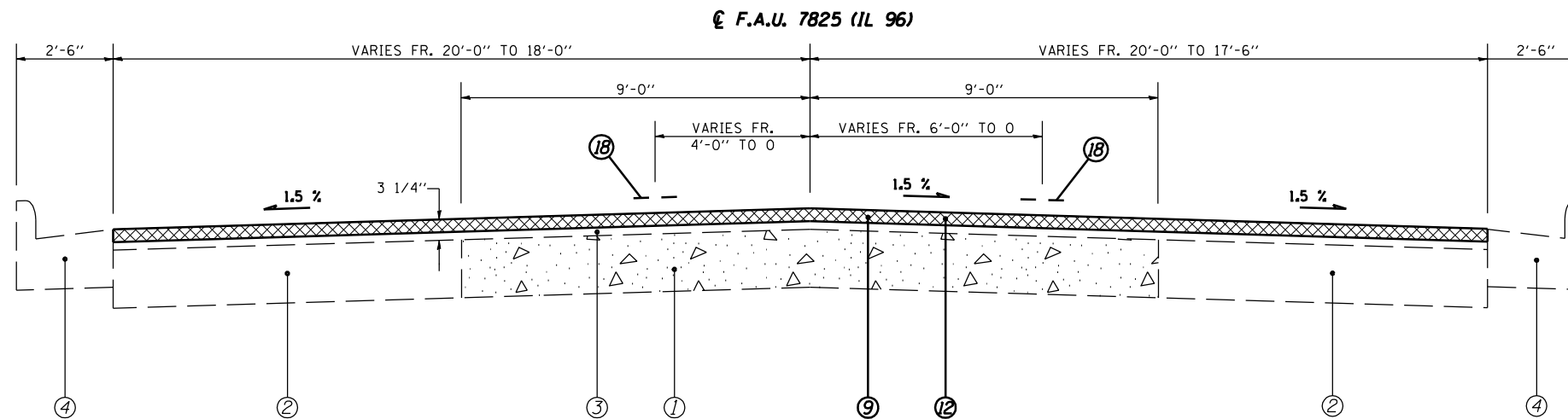
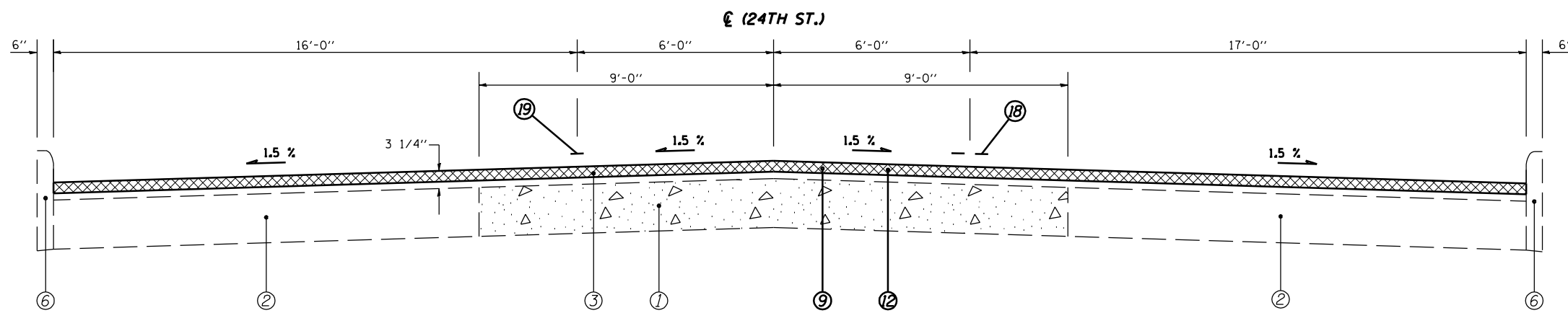


CONTRACT NO. 72943

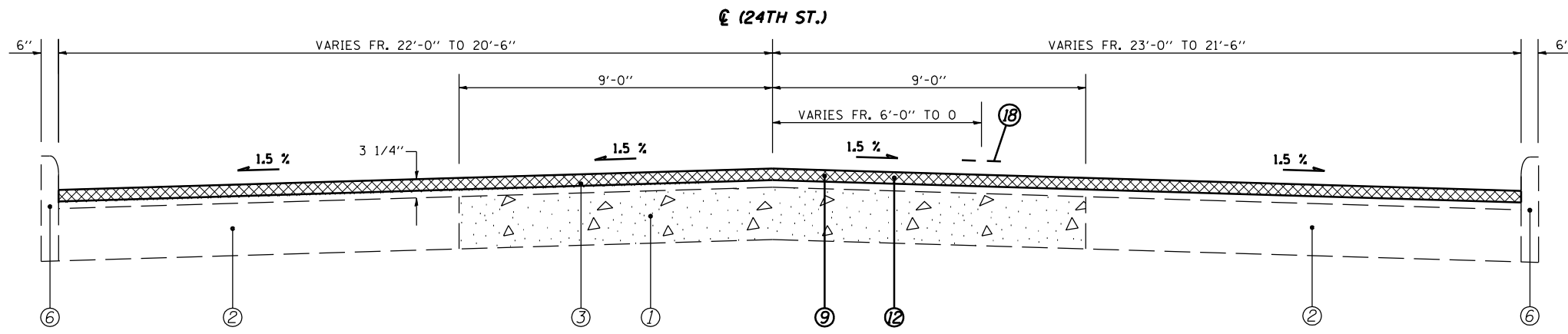
F.A.U. RTE.	SECTION	COUNTY	TOTAL SHEETS	SHEET NO.
•	11 RS-8	ADAMS	64	13
STA. **		TO STA. **		
FED. ROAD DIST. NO.	ILLINOIS	FED. AID PROJECT		
• 7810 & 7825 (IL 96)				
• IL 96 - STA 2363+07.10 TO STA. 2364+02.00				
• 24TH ST. - STA 4+22.50 TO STA. 6+63.00				



(25) STA 2363+08.10 TO STA 2364+07.00 [98.90']



(1B) STA 4+22.50 TO STA 5+52.10 [129.6']



(2B) STA 5+52.10 TO STA 6+68.00 [115.90']

**LEGEND**

- ① EXIST. P.C.C. PAVEMENT 9"
- ② EXIST. BITUMINOUS BASE COURSE WIDENING 9"
- ③ EXIST. BITUMINOUS OVERLAY
- ④ EXIST. COMBINATION CONCRETE CURB & GUTTER, TYPE B-6.24
- ⑤ EXIST. CONCRETE GUTTER, TYPE A (MODIFIED)
- ⑥ EXIST. P.C.C. CURB, TYPE 4
- ⑦ EXIST. BITUMINOUS SHOULDERS, 8"
- ⑧ EXIST. AGGREGATE SHOULDERS, TYPE B
- ⑨ PROP. HOT-MIX ASPHALT SURFACE REMOVAL, 2"
- ⑩ PROP. EARTH EXCAVATION (WIDENING)
- ⑪ PROP. PORTLAND CEMENT CONCRETE BASE COURSE WIDENING 12"
- ⑫ PROP. HOT-MIX ASPHALT CONCRETE SURFACE COURSE, MIX "D", N70 2"
- ⑬ PROP. HOT-MIX ASPHALT SHOULDERS, 8"
- ⑭ PROP. HOT-MIX ASPHALT SHOULDERS, 2"
- ⑮ PROP. AGGREGATE SHOULDERS, TYPE B
- ⑯ PROP. COMBINATION CONCRETE CURB & GUTTER, TYPE B-6.24 (SPECIAL)
- ⑰ PROP. COMBINATION CONCRETE CURB & GUTTER, TYPE B-6.24
- ⑱ PROP. THERMOPLASTIC PAVEMENT MARKING - LINE 5"
- ⑲ PROP. PREFORMED PLASTIC PAVEMENT MARKING, TYPE B - LINE 6"
- ⑳ PROP. GRADING AND SHAPING SHOULDERS

(NOT TO SCALE)

REVISIONS		ILLINOIS DEPARTMENT OF TRANSPORTATION
NAME	DATE	
		<b>TYPICAL SECTIONS</b> F.A.U. Route 7810 & 7825 (IL 96) Section 11RS-8 ADAMS COUNTY SCALE: VERT.      DRAWN BY: JWC HORIZ.              CHECKED BY: RSC DATE: FEBRUARY 6, 2007

PLOT DATE = Nov-02-2007 08:44:31PM  
 FILE NAME = c:\projects\650605\shittypicals.dgn  
 PLOT SCALE = 1/8"=1'-0" / IN.  
 USER NAME = laughlin-1