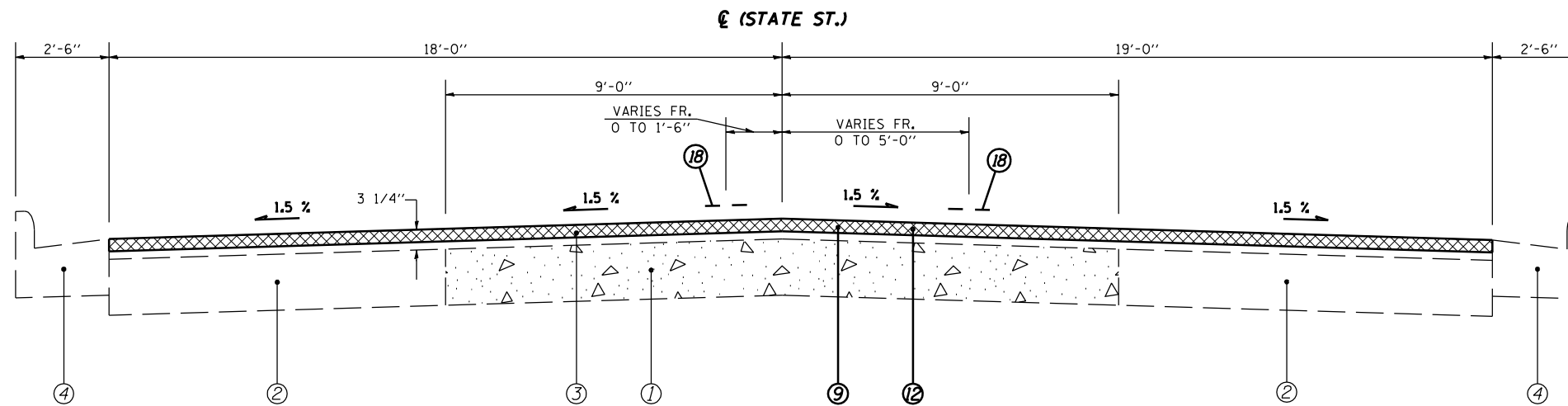
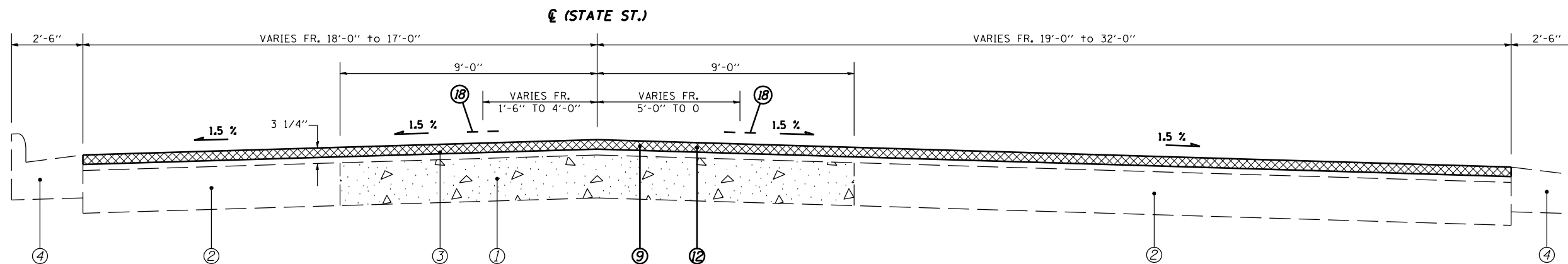


CONTRACT NO. 72943

F.A.U. RTE.	SECTION	COUNTY	TOTAL SHEETS	SHEET NO.
*	11 RS-8	ADAMS	64	14
STA. 31+20.00		TO STA. 34+00.00		
FED. ROAD DIST. NO.		ILLINOIS	FED. AID PROJECT	
		* 7810 & 7825 (IL 96)		
** 24TH ST. - STA 4+22.50 TO STA. 6+63.00				



(3B) STA 31+20.00 TO STA 31+79.00 [59.0']



(4B) STA 31+79.00 TO STA 32+60.00 [81.0']

LEGEND

- | | |
|--|---|
| ① EXIST. P.C.C. PAVEMENT 9" | ⑫ PROP. HOT-MIX ASPHALT CONCRETE SURFACE COURSE, MIX "D", N70 2" |
| ② EXIST. BITUMINOUS BASE COURSE WIDENING 9" | ⑬ PROP. HOT-MIX ASPHALT SHOULDERS, 8" |
| ③ EXIST. BITUMINOUS OVERLAY | ⑭ PROP. HOT-MIX ASPHALT SHOULDERS, 2" |
| ④ EXIST. COMBINATION CONCRETE CURB & GUTTER, TYPE B - 6.24 | ⑮ PROP. AGGREGATE SHOULDERS, TYPE B |
| ⑤ EXIST. CONCRETE GUTTER, TYPE A (MODIFIED) | ⑯ PROP. COMBINATION CONCRETE CURB & GUTTER, TYPE B-6.24 (SPECIAL) |
| ⑥ EXIST. P.C.C. CURB, TYPE 4 | ⑰ PROP. COMBINATION CONCRETE CURB & GUTTER, TYPE B-6.24 |
| ⑦ EXIST. BITUMINOUS SHOULDERS, 8" | ⑱ PROP. THERMOPLASTIC PAVEMENT MARKING - LINE 5" |
| ⑧ EXIST. AGGREGATE SHOULDERS, TYPE B | ⑲ PROP. PREFORMED PLASTIC PAVEMENT MARKING, TYPE B - LINE 6" |
| ⑨ PROP. HOT-MIX ASPHALT SURFACE REMOVAL, 2" | ⑳ PROP. GRADING AND SHAPING SHOULDERS |
| ⑩ PROP. EARTH EXCAVATION (WIDENING) | |
| ⑪ PROP. PORTLAND CEMENT CONCRETE BASE COURSE WIDENING 12" | |

(NOT TO SCALE)

REVISIONS	
NAME	DATE

ILLINOIS DEPARTMENT OF TRANSPORTATION
TYPICAL SECTIONS
 F.A.U. Route 7810 & 7825 (IL 96)
 Section 11RS-8
 ADAMS COUNTY
 SCALE: VERT. DRAWN BY: JWC
 HORIZ. CHECKED BY: RSC
 DATE: FEBRUARY 6, 2007

PLOT DATE = Nov-02-2007 08:44:32PM
 FILE NAME = c:\projects\650605\shittypicals.dgn
 PLOT SCALE = 1/8"=1'-0" / IN.
 USER NAME = laughlin-1