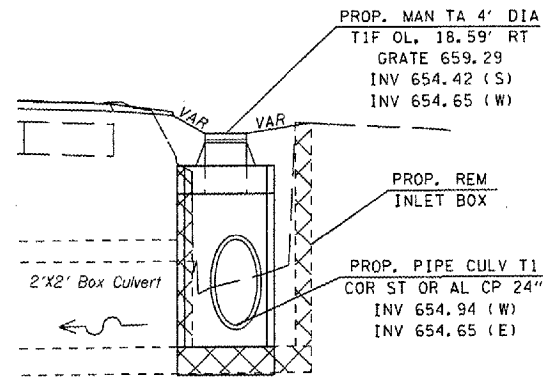
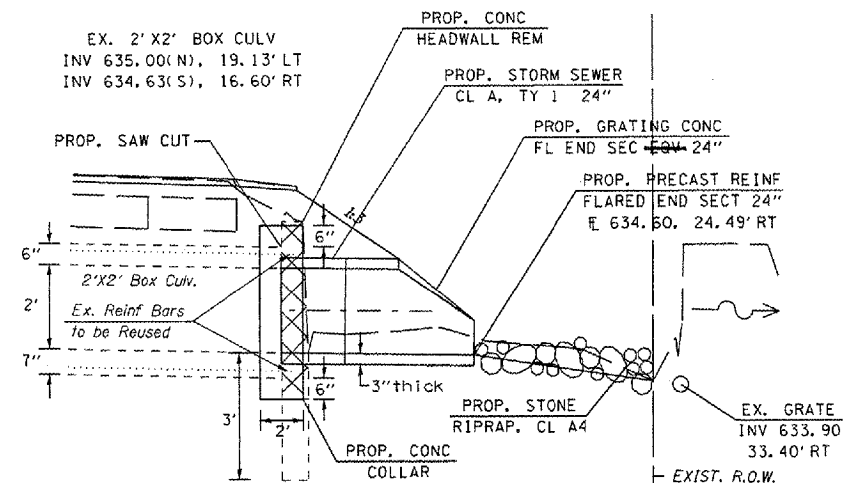


CONTRACT NO. 72943

F.A.U. RTE.	SECTION	COUNTY	TOTAL SHEETS	SHEET NO.
*	11RS-8	ADAMS	64	50
STA. 2312+30.40		TO STA. 2324+85.00		
FED. ROAD DIST. NO.		ILLINOIS FED. AID PROJECT		
* 7810 & 7825 (IL 96)				



STA. 2312+30.40 RT
(ELEVATION VIEW)

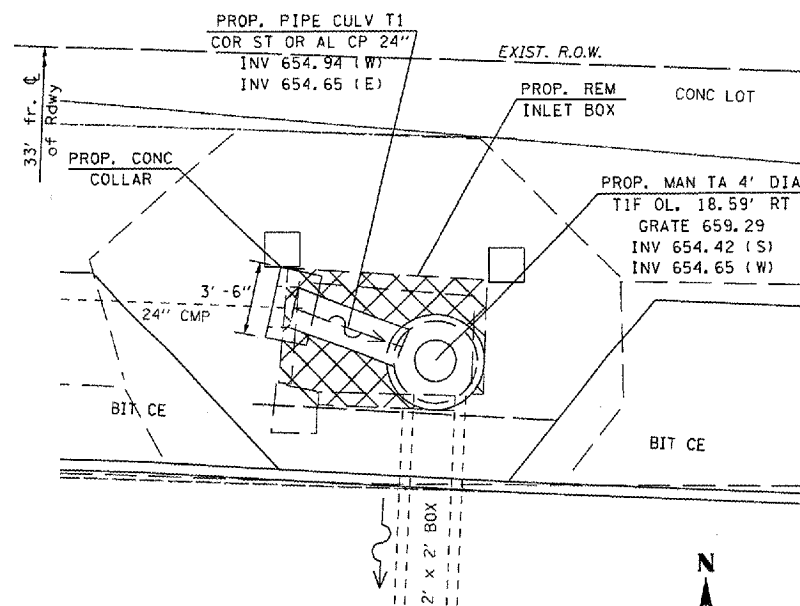


STA. 2324+85.00 RT
(ELEVATION VIEW)

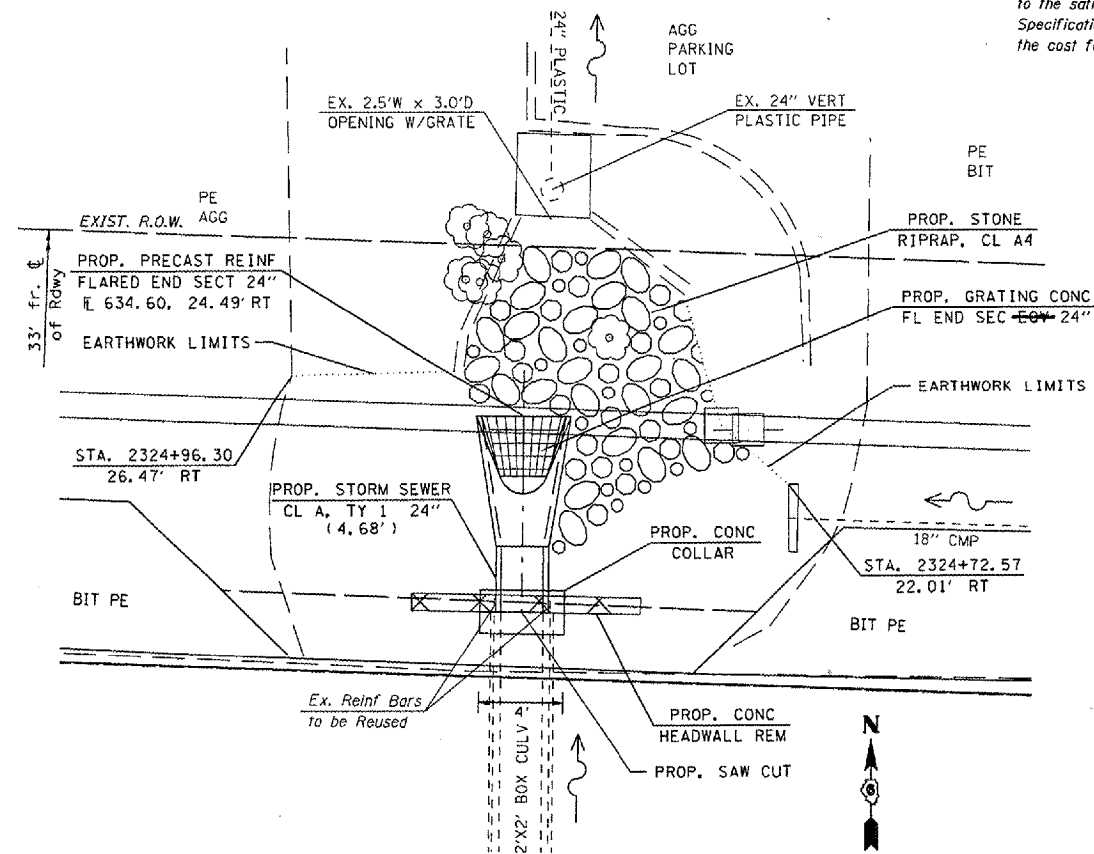
(NOTES):

Special attention shall be made not to cut existing horizontal reinforcement in concrete headwall and side walls. This horizontal reinforcement protruding from the box culvert after Concrete Headwall Removal shall be cleaned, reused, and tied to the proposed reinforcement within the Concrete Collar. This work along with the proposed saw cut shall be done at the Engineer's discretion and be included in the cost for Concrete Headwall Removal.

Earthwork involving sodding, fertilizer, and agricultural limestone shall be done to the satisfaction of the Engineer and conform to Section 252 in the Standard Specifications for Road and Bridge Construction Manual and shall be included in the cost for Furnished Excavation.



STA. 2312+30.40 RT
(PLAN VIEW)



STA. 2324+85.00 RT
(PLAN VIEW)

REVISIONS	
NAME	DATE

ILLINOIS DEPARTMENT OF TRANSPORTATION

DRAINAGE DETAILS

F.A.U. Route 7810 & 7825 (IL 96)
Section 11RS-8
ADAMS COUNTY

SCALE: VERT.
HORIZ.
DATE: JULY 17, 2007

DRAWN BY: RSC
CHECKED BY:

Rev.