

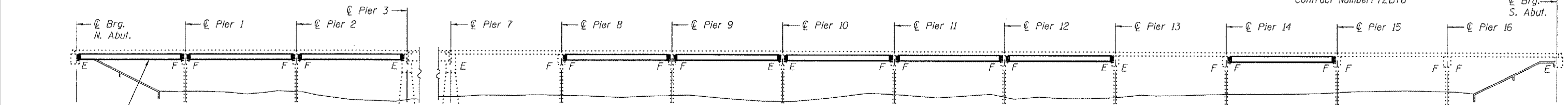
**Contractor is to verify beam length prior to ordering material. Other sections meeting the section modulus requirements shown may be allowed subject to approval by the Bureau of Bridges and Structures. Maximum Girder depth = 36". No additional payment will be allowed if the contractor chooses a heavier steel section than the one specified in the plans

STATE OF ILLINOIS
DEPARTMENT OF TRANSPORTATION

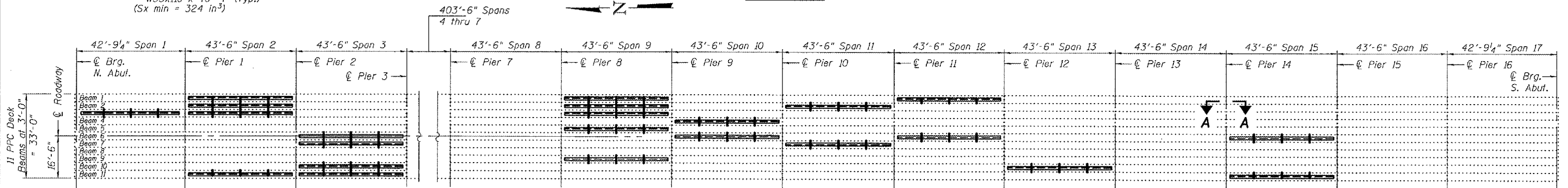
* \varnothing Transverse tie \varnothing 's (3 per span). Place additional shims at midpoints between tie \varnothing 's. Securely weld shims to top flange of support beam. Minimum shim size is 6" x flange width.

ROUTE NO.	SECTION	COUNTY	SHEET	SHEET	SHEET NO. 1
FAP	614	CASS	5	4	2 SHEETS
FED. ROAD DIST. NO. 7	PLANNED	FED. AID PROJECT			

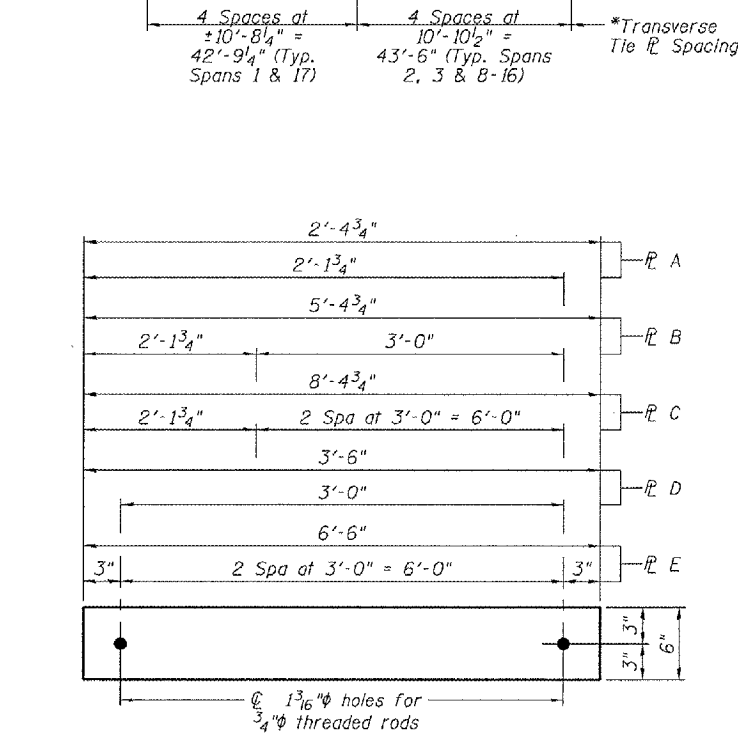
Contract Number: 72B78



ELEVATION



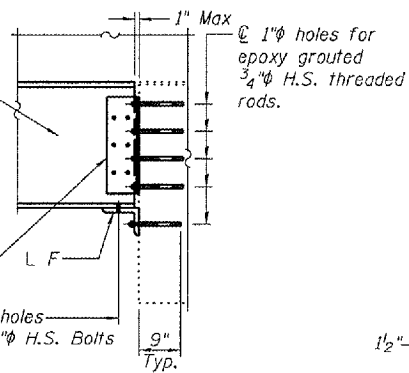
PLAN



SECTION A-A
TYPICAL CONNECTION DETAIL

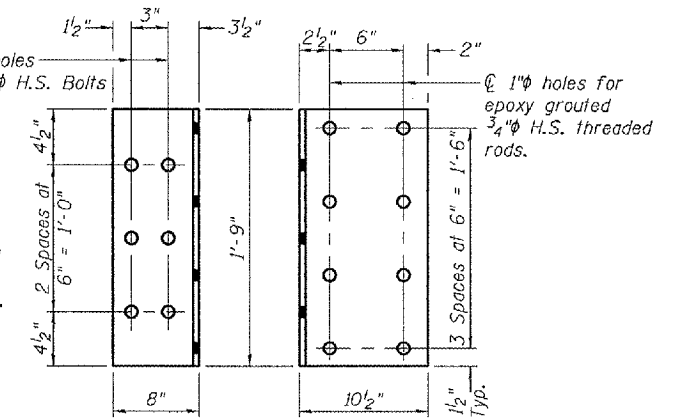
W Section see elevation for exact size. Place tight against concrete beam.

Bent \varnothing G shall be centered in web of W Section



L F DETAIL
L F 8x8x $\frac{3}{4}$ x 2'-3" (46 Req'd)

TYPICAL L F SECTION



Bent \varnothing G
 \varnothing $\frac{1}{2}$ " x 1'-6 $\frac{1}{2}$ " x 1'-9" (92 Req'd)

TRANSVERSE TIE P'S

- \varnothing A $\frac{1}{2}$ " x 2'-4 $\frac{3}{4}$ " x 6" (9 Req'd)
- \varnothing B $\frac{1}{2}$ " x 5'-4 $\frac{3}{4}$ " x 6" (3 Req'd)
- \varnothing C $\frac{1}{2}$ " x 8'-4 $\frac{3}{4}$ " x 6" (6 Req'd)
- \varnothing D $\frac{1}{2}$ " x 3'-6" x 6" (30 Req'd)
- \varnothing E $\frac{1}{2}$ " x 6'-6" x 6" (3 Req'd)

GENERAL NOTES

All structural steel shall conform to AASHTO Classification M-270 Gr. 36, unless otherwise noted.
Plan dimensions and details relative to existing plans are subject to routine variations. The Contractor shall field verify existing dimensions and details affecting new construction and make necessary approved adjustments prior to construction or ordering of materials. Such variations shall not be cause for additional compensation for a change in scope of the work, however, the Contractor will be paid for the quantity actually furnished based upon the unit price bid for the work.
See Section 584 of the Standard Specifications for Epoxy Grouting of Threaded Rods.
The cost of epoxy grouting threaded rods shall be included with Furnishing and Erecting Structural Steel.

The contractor is advised that the existing PPC Deck Beams are in a deteriorated condition with reduced load carrying capacity. It is the contractor's responsibility to account for the condition of the beams when developing construction procedures.

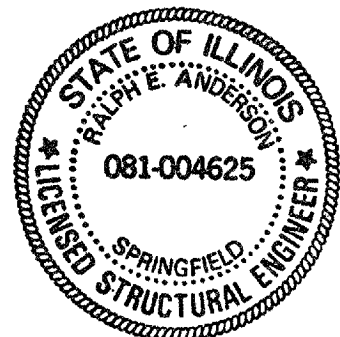
If the contractor's procedure for placement of beams involves placement of cranes or other heavy equipment on the bridge, a detailed procedure shall be submitted to the Engineer for approval. The procedure shall include calculations, prepared and sealed by an Illinois Licensed Structural Engineer, verifying that the equipment and procedure used will not overstress the existing beams. To distribute load to multiple beams and protect the existing surface, in all cases a double layer mat of heavy timbers shall be used at all times under crane tracks or wheels and any outriggers in the down position. If necessary, shims shall be used under the crane mat to ensure uniform contact with the underlying beams.
The Contractor has the option of using used steel. See Special Provisions.

TOTAL BILL OF MATERIAL

ITEM	UNIT	QUANTITY
Furnishing and Erecting Structural Steel	Pound	123,480

DESIGNED	Alicia V. Halligan
CHECKED	[Signature]
DRAWN	[Signature]
CHECKED	ATH AB

EXAMINED	[Signature]	January 9, 2007
PASSED	[Signature]	



Expires: November 30, 2008

PLAN AND ELEVATION
F.A.P. RT.614
CASS COUNTY
SN 009-0005