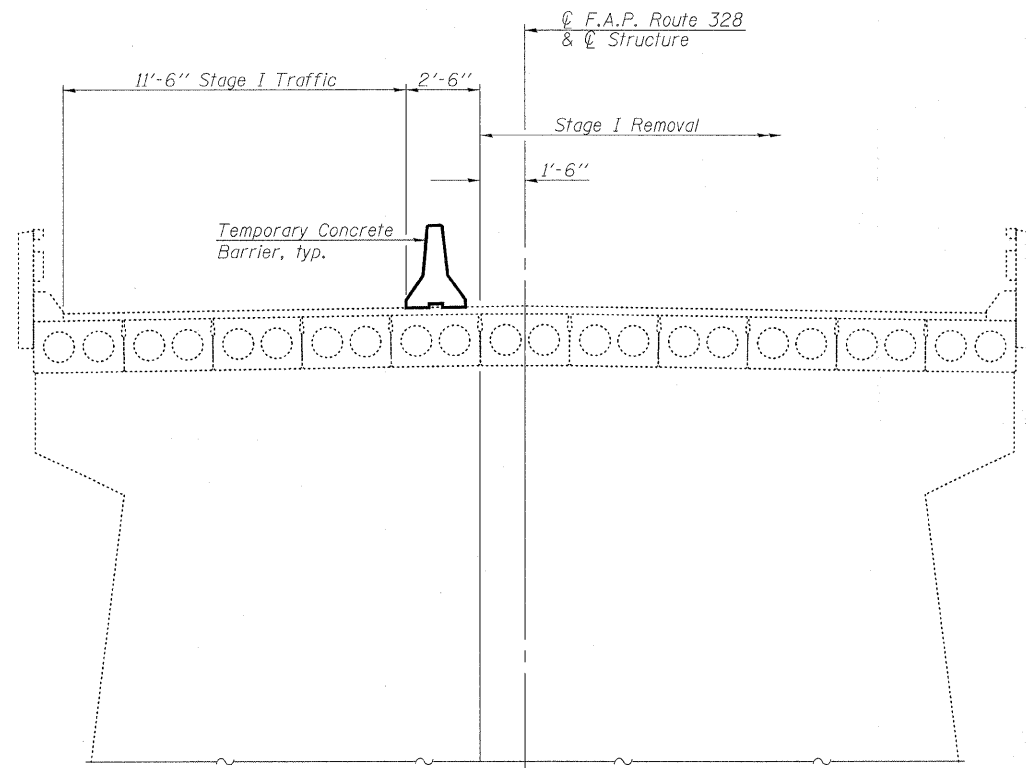


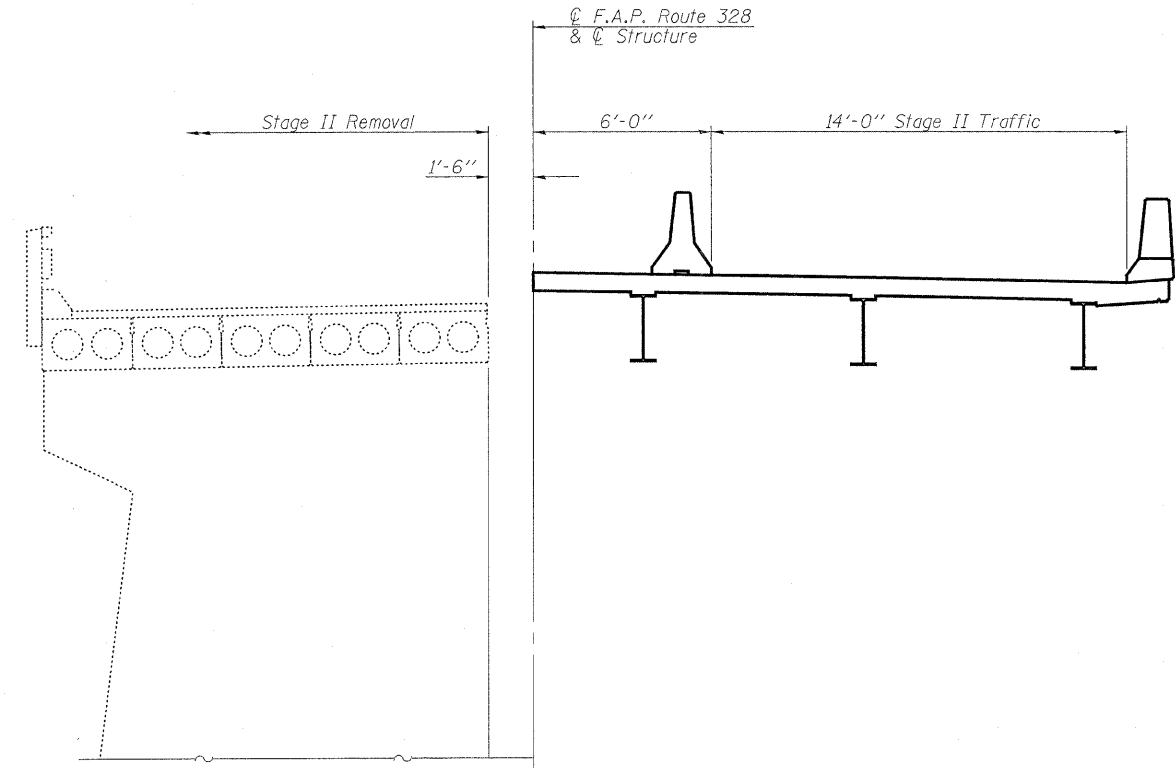
STATE OF ILLINOIS
DEPARTMENT OF TRANSPORTATION

ROUTE NO. F.A.P. 328	SECTION (8BR-2) B-1	COUNTY WAYNE	TOTAL SHEETS 140	SHEET NO. 26	SHEET NO. 4 25 SHEETS
FED. ROAD DIST. NO. 7		ILLINOIS		FED. AID PROJECT-	

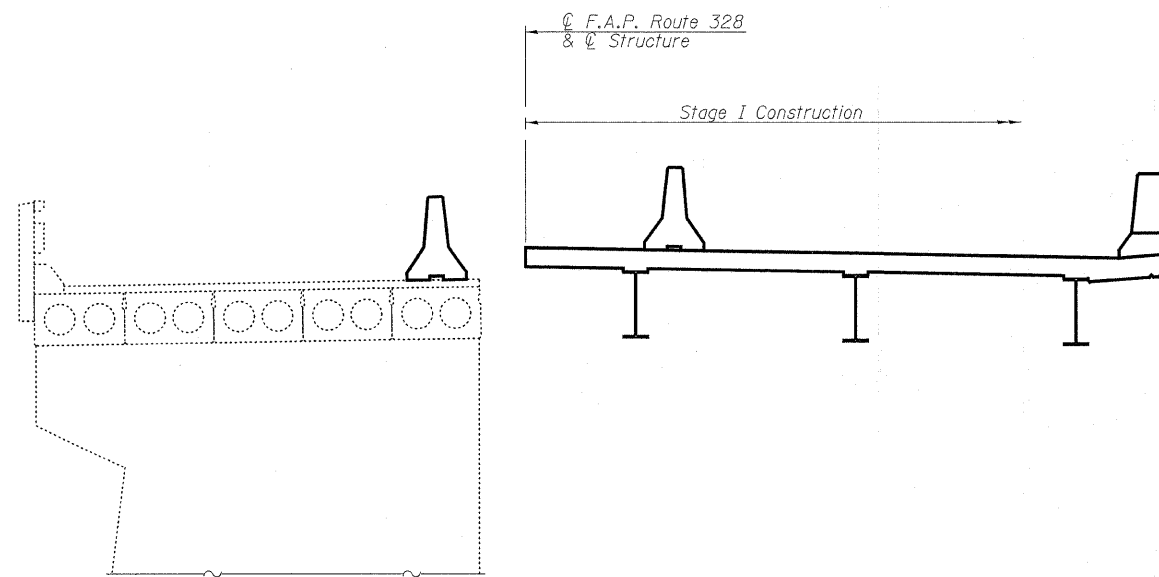
Contract #74040



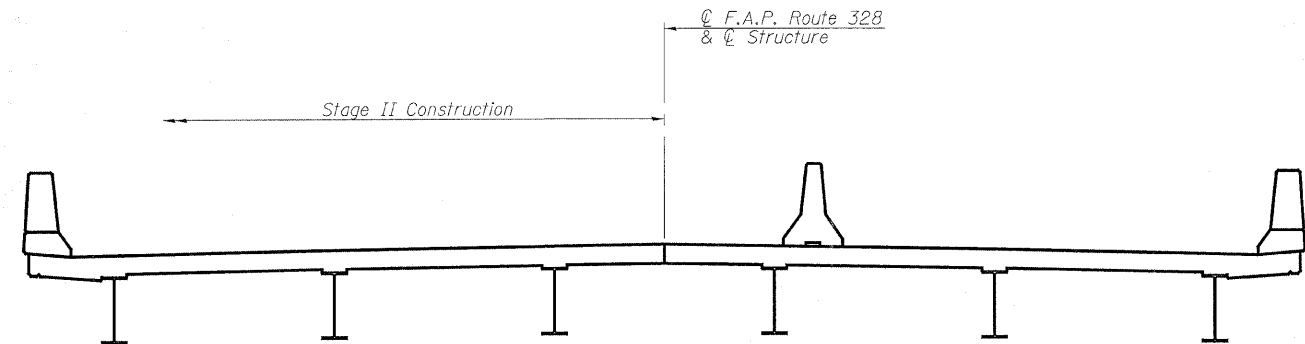
STAGE I REMOVAL
(Looking North)



STAGE II REMOVAL
(Looking North)



STAGE I CONSTRUCTION
(Looking North)



STAGE II CONSTRUCTION
(Looking North)

DESIGNED	SJB
CHECKED	EML
DRAWN	KLH
CHECKED	EML

STAGE CONSTRUCTION DETAILS
F.A.P. ROUTE 328 - SECTION (8BR-2)B-1
WAYNE COUNTY
STATION 888+60.00
STRUCTURE NO. 096-0067

**HORNER &
SHIFRIN, INC.**
ENGINEERS