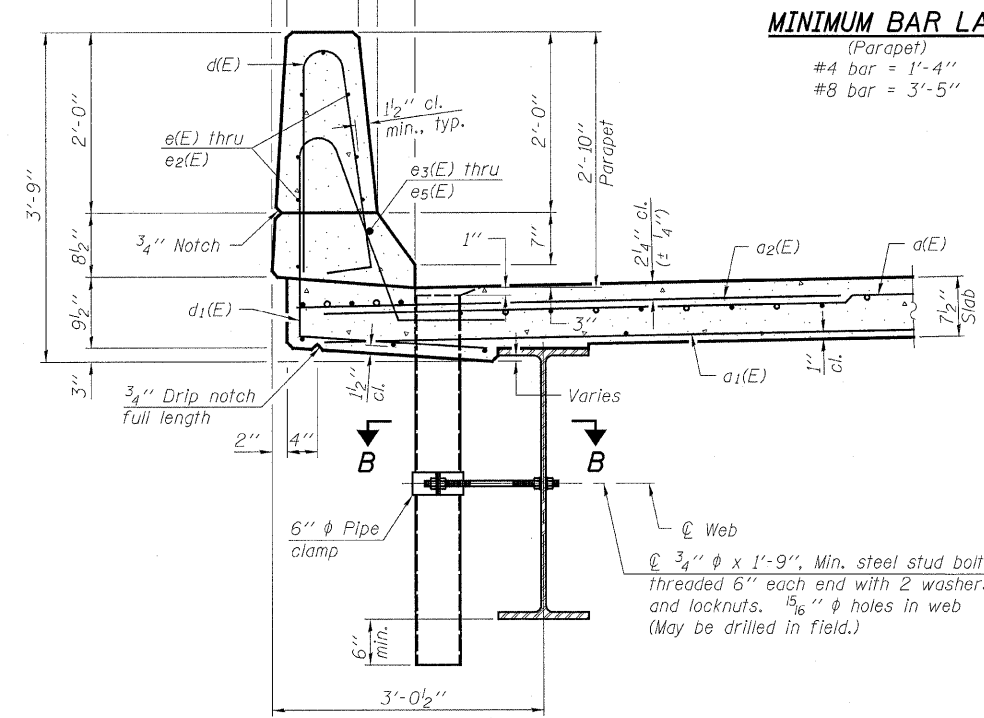
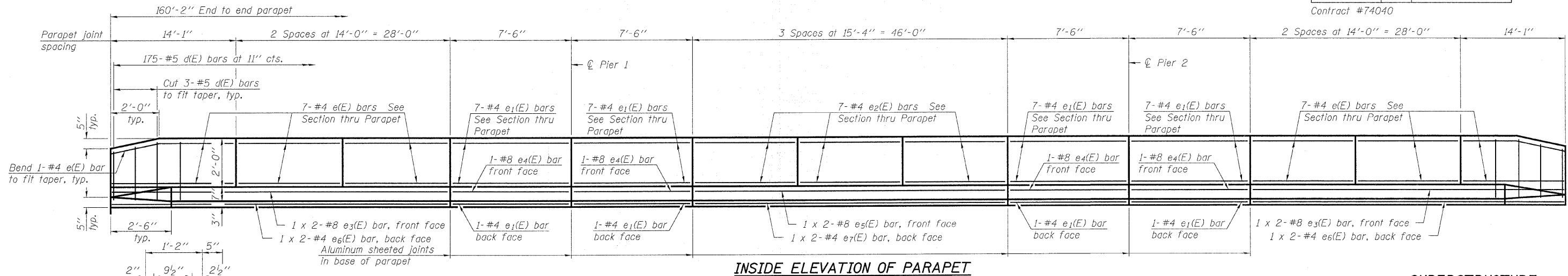


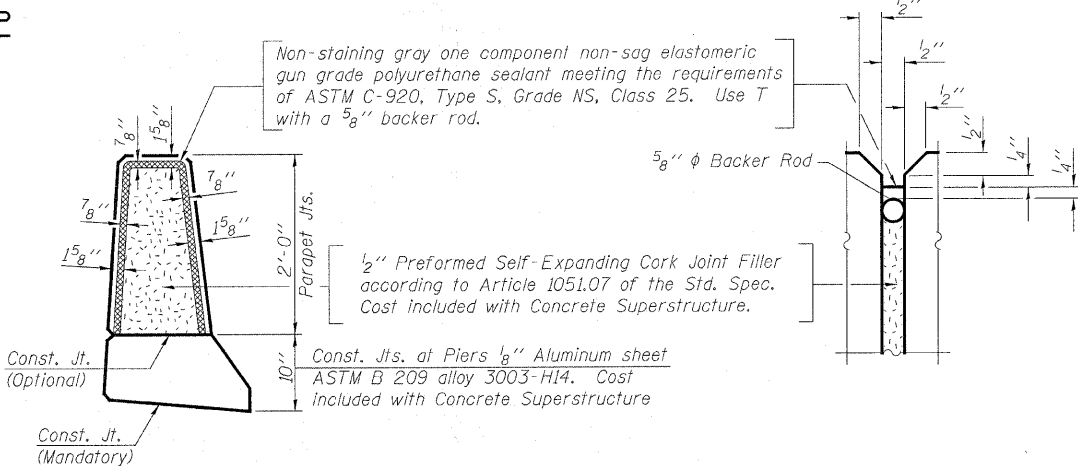
STATE OF ILLINOIS  
DEPARTMENT OF TRANSPORTATION

ROUTE NO.	SECTION	COUNTY	TOTAL SHEETS	SHEET NO.
F.A.P. 328	(8BR-2) B-1	WAYNE	140	12
FED. ROAD DIST. NO. 7	ILLINOIS	FED. AID PROJECT	34	25 SHEETS

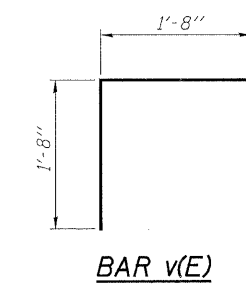
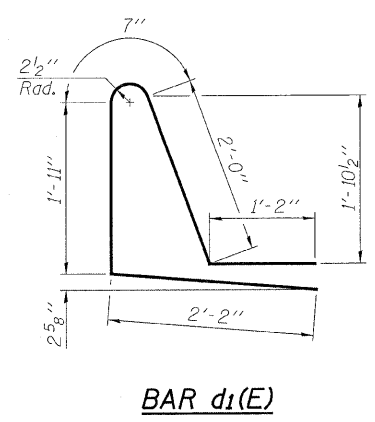
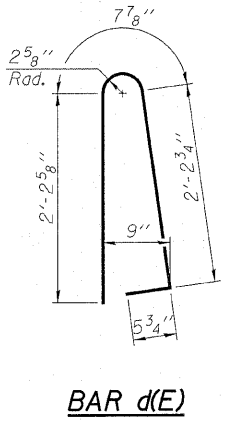
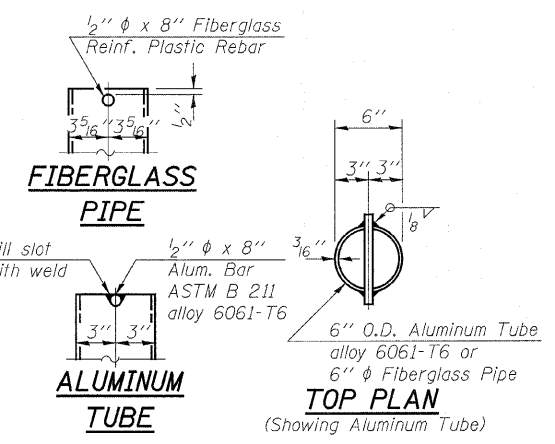
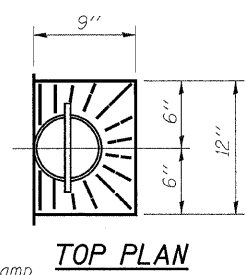
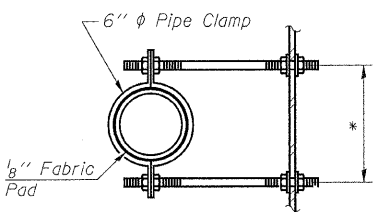
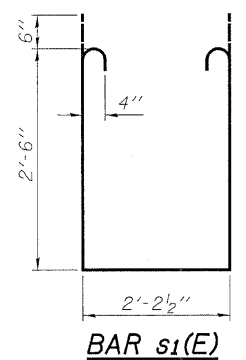
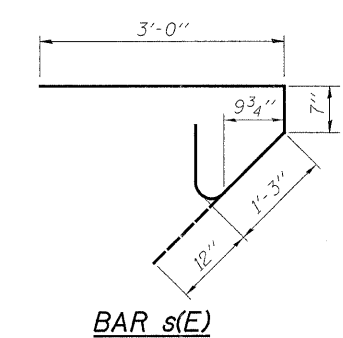
Contract #74040



**MINIMUM BAR LAP**  
(Parapet)  
#4 bar = 1'-4"  
#8 bar = 3'-5"



**Notes:**  
The exterior surfaces of the floor drains shall be painted with the finish coat as specified in the special provisions for Cleaning and Painting New Metal Structures. The exterior surfaces of the drains shall be cleaned according to Steel Structures Painting Council's Spec. SSPC-SP1 prior to painting.  
Fiberglass pipe shall conform to ASTM D 2996, with short-time rupture strength hoop tensile stress of 30,000 p.s.i. minimum.



**SUPERSTRUCTURE BILL OF MATERIAL**

Bar	No.	Size	Length	Shape
a(E)	638	#5	21'-2"	—
a <sub>1</sub> (E)	478	#5	21'-0"	—
a <sub>2</sub> (E)	318	#6	6'-0"	—
a <sub>3</sub> (E)	8	#5	21'-7"	—
b(E)	276	#5	28'-6"	—
b <sub>1</sub> (E)	84	#6	30'-0"	—
b <sub>2</sub> (E)	322	#5	24'-9"	—
d(E)	350	#5	5'-7"	⌋
d <sub>1</sub> (E)	350	#5	7'-10"	⌋
e(E)	84	#4	13'-8"	—
e <sub>1</sub> (E)	64	#4	7'-2"	—
e <sub>2</sub> (E)	42	#4	15'-0"	—
e <sub>3</sub> (E)	8	#8	22'-9"	—
e <sub>4</sub> (E)	8	#8	7'-2"	—
e <sub>5</sub> (E)	4	#8	24'-7"	—
e <sub>6</sub> (E)	8	#4	21'-8"	—
e <sub>7</sub> (E)	4	#4	23'-6"	—
m(E)	8	#6	20'-7"	—
m <sub>1</sub> (E)	12	#6	21'-9"	—
m <sub>2</sub> (E)	24	#6	9'-1"	—
m <sub>3</sub> (E)	8	#6	7'-3"	—
m <sub>4</sub> (E)	4	#6	2'-9"	—
m <sub>5</sub> (E)	4	#6	3'-6"	—
s(E)	92	#5	5'-10"	⌋
s <sub>1</sub> (E)	84	#4	8'-3"	⌋
v(E)	84	#5	3'-4"	⌋
Reinforcement Bars, Epoxy Coated		Pound		57,780
Concrete Superstructure		Cu. Yds.		226.9

Bars indicated thus 1 x -#5 etc. indicates 1 line of bars with lengths per line.

**SUPERSTRUCTURE DETAILS**  
F.A.P. ROUTE 328 - SECTION (8BR-2)B-1  
WAYNE COUNTY  
STATION 888+60.00  
STRUCTURE NO. 096-0067



DESIGNED	SJB
CHECKED	EML
DRAWN	KLH
CHECKED	EML