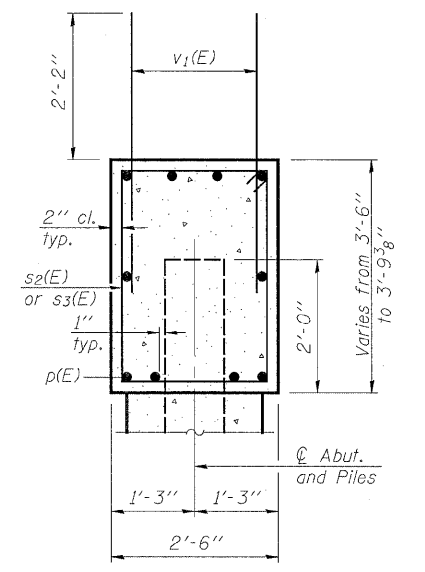
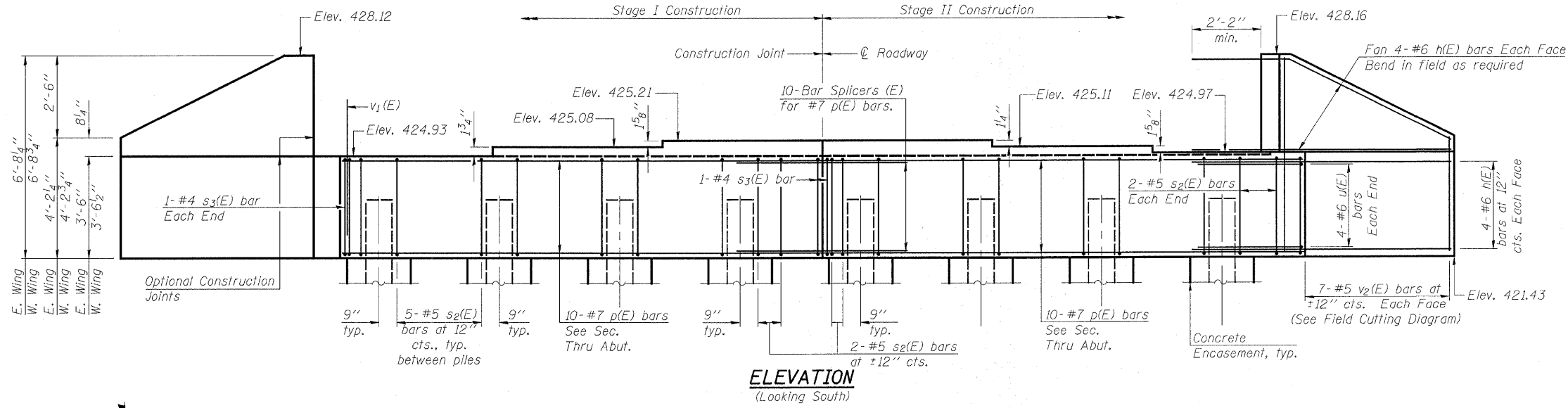


STATE OF ILLINOIS  
DEPARTMENT OF TRANSPORTATION

ROUTE NO. F.A.P. 328	SECTION (8BR-2) B-1	COUNTY WAYNE	TOTAL SHEETS 140	SHEET NO. 39	SHEET NO. 17 25 SHEETS
FED. ROAD DIST. NO. 7		ILLINOIS	FED. AID PROJECT		

Contract #74040

Notes: Four steps monolithically with cap.

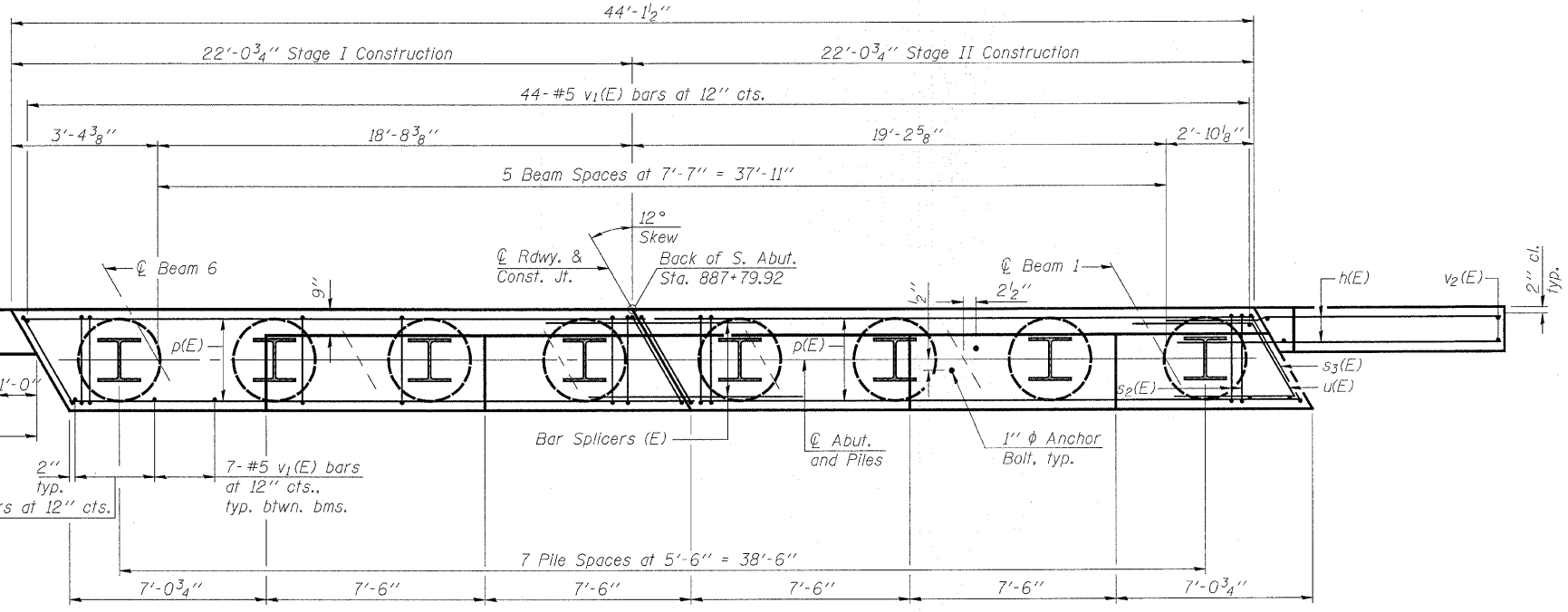


SEC. THRU ABUT.

**BILL OF MATERIAL**

Bar	No.	Size	Length	Shape
h(E)	32	#6	8'-0"	—
p(E)	20	#7	21'-9"	—
s <sub>2</sub> (E)	38	#5	11'-7"	□
s <sub>3</sub> (E)	4	#5	11'-8"	□
u(E)	8	#6	9'-3"	∟
v <sub>1</sub> (E)	85	#5	4'-4"	—
v <sub>2</sub> (E)	14	#5	10'-2"	—
Structure Excavation			Cu. Yd.	134
Concrete Structures			Cu. Yd.	16.5
Reinforcement Bars, Epoxy Coated			Pound	2,430
Furnishing Steel Piles HP12x63			Foot	224
Driving Piles			Foot	224
Test Pile Steel HP12x63			Each	1
Concrete Encasement			Cu. Yd.	2.8
Piles Shoes			Each	8
Anchor Bolts, 1"			Each	12

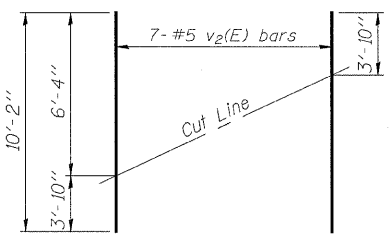
For details of Bar Splicers, see sheet 22 of 25.  
For details of piles and Concrete Encasement, see sheet 21 of 25.



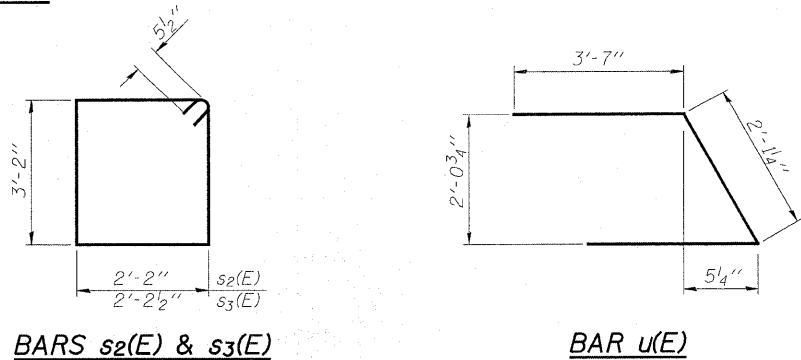
**PILE DATA**

Type: HP12x63  
Nominal Required Bearing: 300 kips  
Allowable Resistance Available: 100 kips  
Est. Length: 32'  
No. Production Piles: 7  
No. Test Piles: 1

DESIGNED	JJD
CHECKED	EML
DRAWN	KLH
CHECKED	EML



**PLAN**



**SOUTH ABUTMENT**  
F.A.P. ROUTE 328 - SECTION (8BR-2)B-1  
WAYNE COUNTY  
STATION 888+60.00  
STRUCTURE NO. 096-0067

