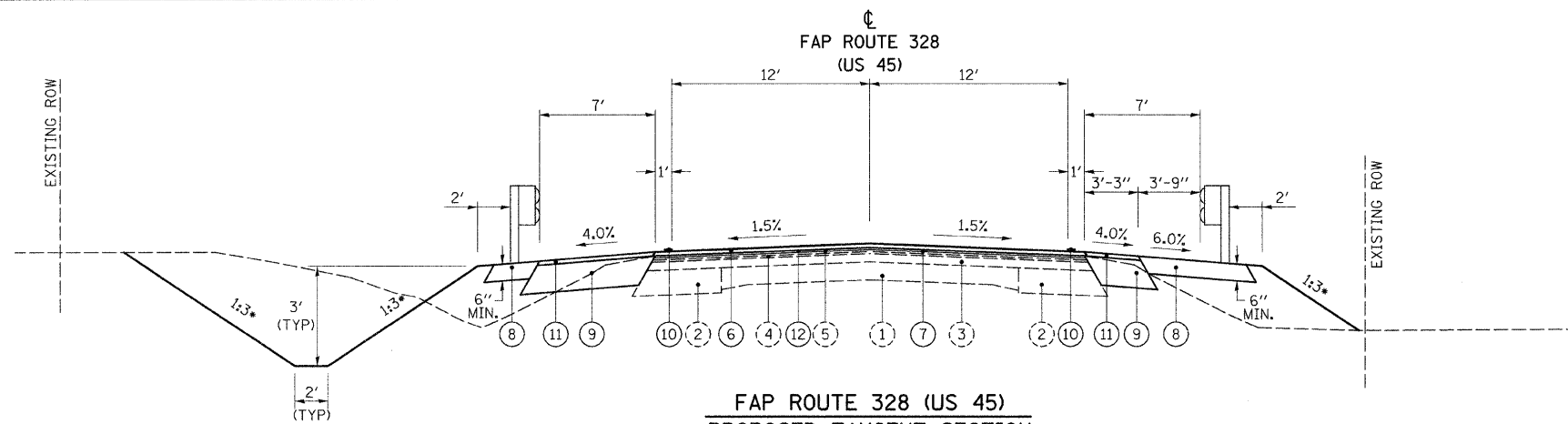


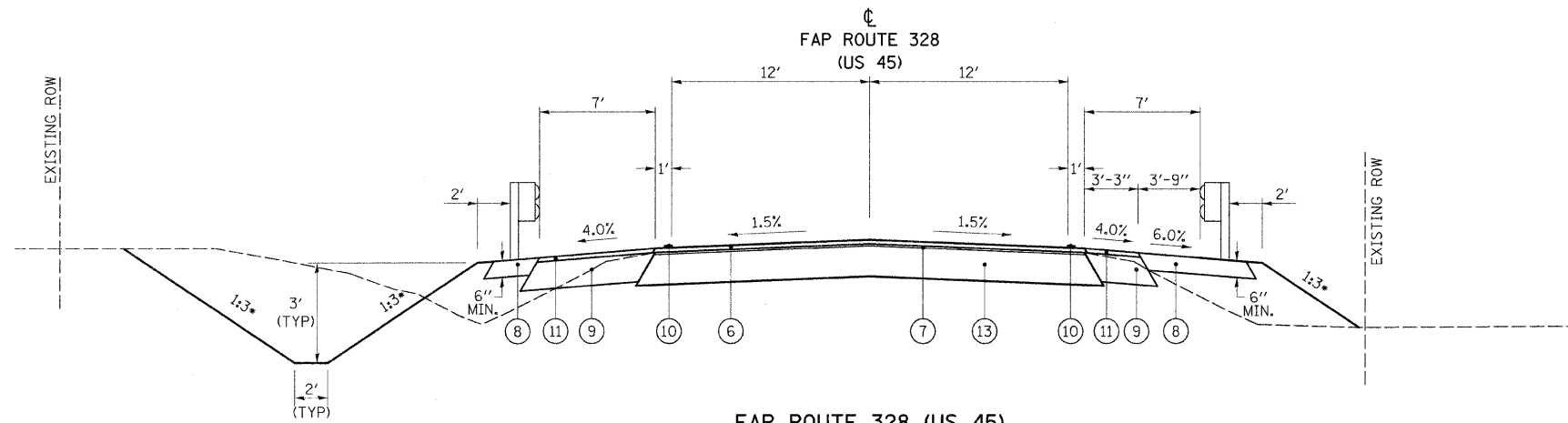
F.A.P. RTE.	SECTION	COUNTY	TOTAL SHEETS	SHEET NO.
328	*	WAYNE	140	60
STA.		TO STA.		
FED. ROAD DIST. NO.		ILLINOIS FED. AID PROJECT		
* (BBR-2,10BR-3)B-1				



**FAP ROUTE 328 (US 45)
PROPOSED TANGENT SECTION**

- TO APPLY -
STA 409+00.00 TO STA 409+77.70
CULVERT OMISSION
STA 410+50.43 TO STA 411+00.00

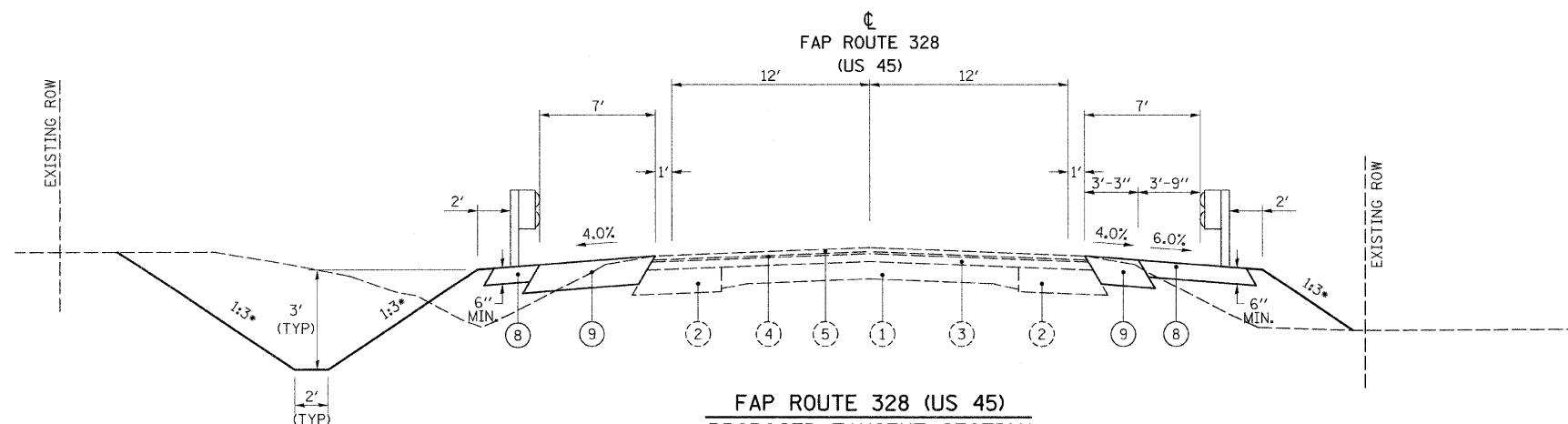
• OR AS SHOWN ON CROSS SECTIONS



**FAP ROUTE 328 (US 45)
PROPOSED TANGENT SECTION**

- TO APPLY -
STA 409+77.70 TO STA 410+50.43

• OR AS SHOWN ON CROSS SECTIONS



**FAP ROUTE 328 (US 45)
PROPOSED TANGENT SECTION**

- TO APPLY -
STA 407+35.35 TO STA 409+00.00 &
STA 411+00.00 TO STA 413+06.64

• OR AS SHOWN ON CROSS SECTIONS

MATERIALS LEGEND

- ① EXISTING PCC PAVEMENT, 9"-6"-9"
- ② EXISTING WIDENING
- ③ EXISTING HOT-MIX ASPHALT BINDER (VARIABLE DEPTH)
- ④ EXISTING HOT-MIX ASPHALT LEVELING BINDER (MACHINE METHOD) TYPE 2, 3/4"
- ⑤ EXISTING HOT-MIX ASPHALT SURFACE COURSE, MIXTURE D, CLASS I, TYPE 2, 1 1/2"
- ⑥ PROPOSED HOT-MIX ASPHALT SURFACE COURSE, MIXTURE "C", N70, (1 1/2")
- ⑦ PROPOSED HOT-MIX ASPHALT BINDER COURSE, IL-19.0, N70, (3/4")
- ⑧ PROPOSED HOT-MIX ASPHALT SHOULDERS, 6"
- ⑨ PROPOSED BASE COURSE WIDENING
- ⑩ PROPOSED PAVEMENT MARKING
- ⑪ PROPOSED HOT-MIX ASPHALT SHOULDERS, 1 1/2"
- ⑫ PROPOSED HOT-MIX ASPHALT REMOVAL, 3/4"
- ⑬ PROPOSED HOT-MIX ASPHALT BASE COURSE, 6"

REVISIONS	
NAME	DATE

ILLINOIS DEPARTMENT OF TRANSPORTATION

TYPICAL SECTIONS

US ROUTE 45
OVER BRANCH OF DEER CREEK

SCALE: VERT. N/A
HORIZ. N/A
DATE 06/12/07

DRAWN BY KMO
CHECKED BY SSM