

F.A.P. R/E.	SECTION	COUNTY	TOTAL SHEETS	SHEET NO.
328	*	WAYNE	140	68
STA.		TO STA.		
FED. ROAD DIST. NO.		ILLINOIS FED. AID PROJECT		

DETAIL OF PRECAST CONCRETE BOX CULVERT END SECTION

AASHTO DESIGNATION M259M
(ASTM DESIGNATION C-789M)
DESIGN LOADING = MS18

** NOTE: THE DIMENSIONS INDICATED ARE FOR END SECTIONS THAT ARE TO BE USED WITH PRECAST BOX CULVERT SECTIONS DESIGNED FOR 2" OR MORE OF FILL. THE DIMENSIONS MUST BE MODIFIED FOR THE END SECTION TO BE COMPATIBLE WITH PRECAST CULVERT SECTIONS DESIGNED FOR LESS THAN 2" OF FILL.

CULVERT SIZE	DIMENSIONS **									
	SPANxRISE (FOOT)	T	A	B	C	E	F	G	H	SLOPE
		INCH	FT-IN	FT-IN	INCH	FT-IN	FT-IN	FT-IN	FT-IN	Y:X
2x2	4	2-8	2-8	4	3-0	3-0	1-0	1-0	1:3	
3x2	4	3-8	2-8	4	3-0	3-0	1-0	1-0	1:3	
3x3	4	3-8	3-8	4	2-0	4-0	1-8	1-4	1:3	
4x2	5	4-10	2-10	5	3-0	3-0	1-0	1-0	1:3	
4x3	5	4-10	3-10	5	2-0	4-0	1-8	1-4	1:3	
4x4	5	4-10	4-10	5	2-0	4-0	2-0	2-0	1:2	
4x6	7	5-2	7-2	7	2-0	6-0	3-0	3-0	1:2	
5x2	5	5-10	2-10	6	3-0	3-0	1-0	1-0	1:3	
5x3	6	6-0	4-0	6	2-0	4-0	1-8	1-4	1:3	
5x4	6	6-0	5-0	6	2-0	4-0	2-0	2-0	1:2	
5x5	6	6-0	6-0	6	2-0	4-0	3-0	2-0	1:2	
6x2	7	7-2	3-2	7	3-0	3-0	1-0	1-0	1:3	
6x3	7	7-2	4-2	7	2-0	4-0	1-8	1-4	1:3	
6x4	7	7-2	5-2	7	2-0	4-0	2-0	2-0	1:2	
6x5	7	7-2	6-2	7						
6x6	7	7-2	7-2	7	2-0	6-0	3-0	3-0	1:2	
7x4	8	8-4	5-4	8	2-0	4-0	2-0	2-0	1:2	
7x5	8	8-4	6-4	8						
7x6	8	8-4	7-4	8						
7x7	8	8-4	8-4	8						
8x4	8	9-4	5-4	8	2-0	4-0	2-0	2-0	1:2	
8x5	8	9-4	6-4	8						
8x6	8	9-4	7-4	8						
8x7	8	9-4	8-4	8						
8x8	8	9-4	9-4	8						
9x5	9	10-6	6-6	9						
9x6	9	10-6	7-6	9						
9x7	9	10-6	8-6	9						
9x8	9	10-6	9-6	9						
9x9	9	10-6	10-6	9						
10x5	10	11-8	6-8	10						
10x6	10	11-8	7-8	10						
10x7	10	11-8	8-8	10						
10x8	10	11-8	9-8	10						
10x9	10	11-8	10-8	10						
10x10	10	11-8	11-8	10						
11x4	11	12-10	5-10	11						
11x6	11	12-10	7-10	11						
11x8	11	12-10	9-10	11						
11x10	11	12-10	11-10	11						
11x11	11	12-10	12-10	11						
12x4	12	14-0	6-0	12						
12x6	12	14-0	8-0	12						
12x8	12	14-0	10-0	12						
12x10	12	14-0	12-0	12						
12x12	12	14-0	14-0	12						

CULVERTS WITH RISE > 6' REQUIRE CAST-IN-PLACE END SECTIONS

GENERAL NOTES

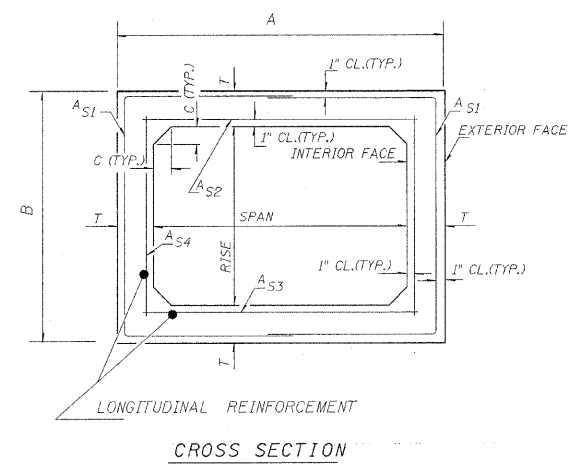
SHOP PLANS FOR THE REINFORCEMENT SHALL BE SUBMITTED IN ACCORDANCE WITH THE REQUIREMENTS OF ARTICLE 504.04(a) OF THE STANDARD SPECIFICATIONS.

MINIMUM CONCRETE STRENGTH SHALL BE 5000 PSI AFTER 28 DAYS.

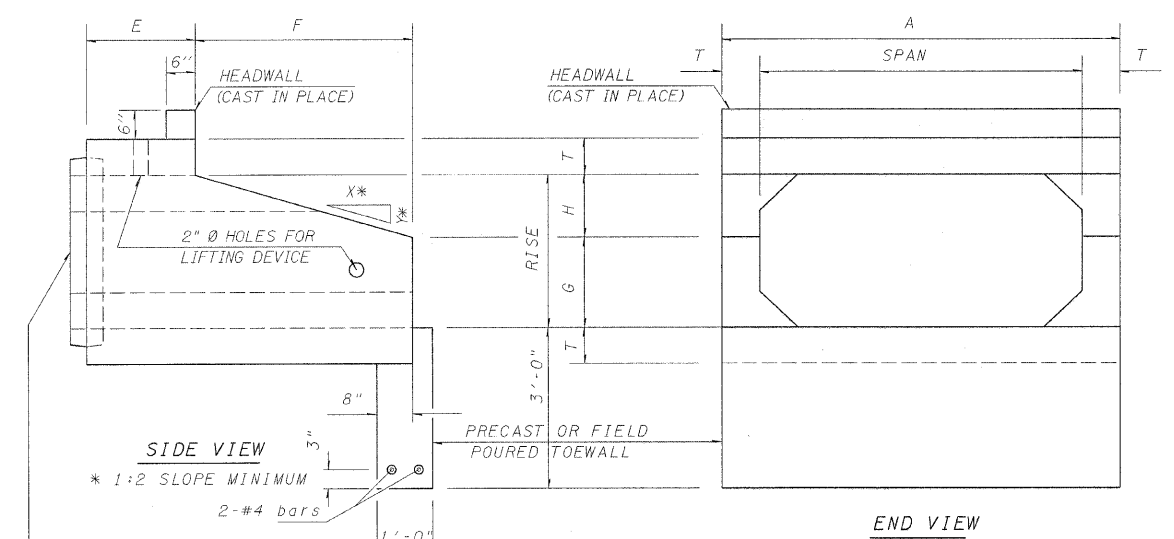
THE JOINTS OF THE PRECAST BOX SECTIONS SHALL BE SEALED WITH ACCORDANCE WITH ARTICLE 542.04(d) OF THE STANDARD SPECIFICATIONS FOR ROAD AND BRIDGE CONSTRUCTION.

THE TERMS A_{S1}, A_{S2}, A_{S3}, AND A_{S4} DENOTE THE REQUIRED STEEL AREAS FOR REINFORCEMENT AS SPECIFIED IN AASHTO M259M. REINFORCEMENT SHALL BE WELDED WIRE FABRIC CONFORMING TO AASHTO SPECIFICATIONS M55M.

LIFTING HOLES SHALL BE FILLED WITH CONCRETE PLUGS AND MASTIC AFTER THE END SECTIONS ARE IN PLACE.

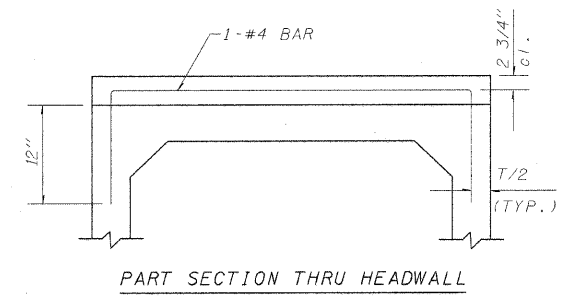


CROSS SECTION

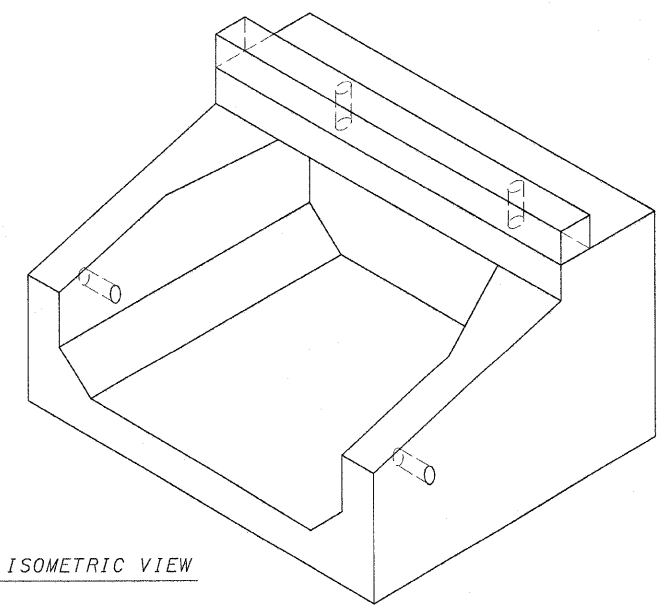


SIDE VIEW

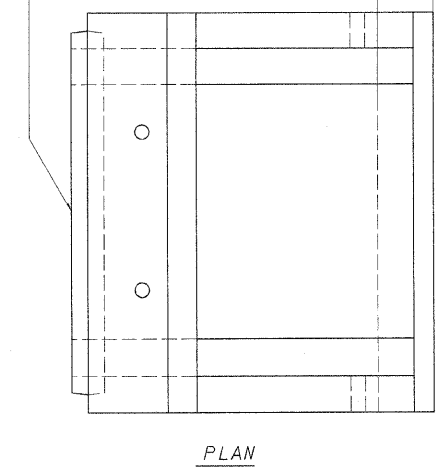
END VIEW



PART SECTION THRU HEADWALL



ISOMETRIC VIEW



PLAN

REVISIONS	
NAME	DATE

ILLINOIS DEPARTMENT OF TRANSPORTATION

DETAIL SHEET

PRECAST CONCRETE BOX CULVERT END SECTION (SPECIAL)

SCALE: VERT. N/A
HORIZ. N/A
DATE: 06/12/07

DRAWN BY: KLH
CHECKED BY: EML